

DVD AUDIO/VIDEO SACD PLAYER DVD-S2300

SERVICE MANUAL

IMPORTANT NOTICE

This manual has been provided for the use of authorized YAMAHA Retailers and their service personnel. It has been assumed that basic service procedures inherent to the industry, and more specifically YAMAHA Products, are already known and understood by the users, and have therefore not been restated.

WARNING: Failure to follow appropriate service and safety procedures when servicing this product may result in personal injury, destruction of expensive components, and failure of the product to perform as specified. For these reasons, we advise all YAMAHA product owners that any service required should be performed by an authorized YAMAHA Retailer or the appointed service representative.

IMPORTANT: The presentation or sale of this manual to any individual or firm does not constitute authorization, certification or recognition of any applicable technical capabilities, or establish a principle-agent relationship of any form.

The data provided is believed to be accurate and applicable to the unit(s) indicated on the cover. The research, engineering, and service departments of YAMAHA are continually striving to improve YAMAHA products. Modifications are, therefore, inevitable and specifications are subject to change without notice or obligation to retrofit. Should any discrepancy appear to exist, please contact the distributor's Service Division.

WARNING: Static discharges can destroy expensive components. Discharge any static electricity your body may have accumulated by grounding yourself to the ground buss in the unit (heavy gauge black wires connect to this buss).

IMPORTANT: Turn the unit OFF during disassembly and part replacement. Recheck all work before you apply power to the unit.

DVD-S2300

■ CONTENTS

TO SERVICE PERSONNEL	2	ASSEMBLING AND DISASSEMBLING THE MECHANISM UNIT / メカニズムユニットの分解組立	25~35
PREVENTION OF ELECTRO STATIC DISCHARGE ...	4	OPTICAL PICKUP TILT ADJUSTMENT / 光ピックアップあおり調整	36~39
LOCALE MANAGEMENT INFORMATION	4	DISPLAY DATA	40~41
FRONT PANELS	5	IC DATA	42~43
REMOTE CONTROL PANELS	5	PIN CONNECTION DIAGRAM	44
REAR PANELS	6	PRINTED CIRCUIT BOARD	45~53
SPECIFICATIONS	7	BLOCK DIAGRAM	54~55
INTERNAL VIEW	8	SCHEMATIC DIAGRAM	56~76
DISASSEMBLY PROCEDURE / 分解手順	9~15	PARTS LIST	77~104
OPTICAL PICKUP SELF-DIAGNOSIS AND REPLACEMENT PROCEDURE / 光ピックアップの故障診断と交換手順	16~17	REMOTE CONTROL	105
SERVICE MODE AND SELF-DIAGNOSIS FUNCTION / サービスモードと自己診断機能	18~24		




このサービスマニュアルは、エコマーク認定の再生紙を使用しています。
This Service Manual uses recycled paper.



■ TO SERVICE PERSONNEL

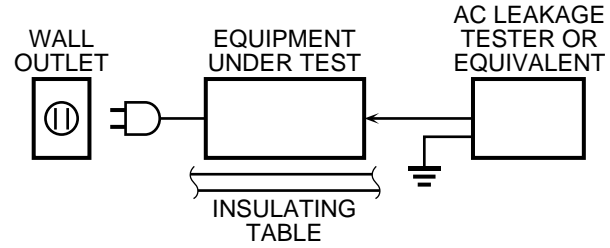
1. Critical Components Information

Components having special characteristics are marked  and must be replaced with parts having specifications equal to those originally installed.

2. Leakage Current Measurement (For 120V Models Only)

When service has been completed, it is imperative to verify that all exposed conductive surfaces are properly insulated from supply circuits.

- Meter impedance should be equivalent to 1500 ohm shunted by 0.15 μ F.
- Leakage current must not exceed 0.5mA.
- Be sure to test for leakage with the AC plug in both polarities.



THE DVD PLAYER SHOULD NOT BE ADJUSTED OR REPAIRED BY ANYONE EXCEPT PROPERLY QUALIFIED SERVICE PERSONNEL.

WARNING: CHEMICAL CONTENT NOTICE!

The solder used in the production of this product contains LEAD. In addition, other electrical/electronic and/or plastic (where applicable) components may also contain traces of chemicals found by the California Health and Welfare Agency (and possibly other entities) to cause cancer and/or birth defects or other reproductive harm.

DO NOT PLACE SOLDER, ELECTRICAL/ELECTRONIC OR PLASTIC COMPONENTS IN YOUR MOUTH FOR ANY REASON WHATSOEVER!

Avoid prolonged, unprotected contact between solder and your skin! When soldering, do not inhale solder fumes or expose eyes to solder/flux vapor!

If you come in contact with solder or components located inside the enclosure of this product, wash your hands before handling food.

WARNING: Laser Safety

This product contains a laser beam component. This component may emit invisible, as well as visible radiation, which may cause eye damage. To protect your eyes and skin from laser radiation, the following precautions must be used during servicing of the unit.

- 1) When testing and/or repairing any component within the product, keep your eyes and skin more than 30 cm away from the laser pick-up unit at all times. Do not stare at the laser beam at any time.
- 2) Do not attempt to readjust, disassemble or repair the laser pick-up, unless noted elsewhere in this manual.
- 3) CAUTION : Use of controls, adjustments or performance of procedures other than those specified herein may result in hazardous radiation exposure.

Laser Emitting conditions:

- 1) When the Top Cover is removed, and the "POWER" SW is turned to the "ON" position, the laser component will emit a beam for several seconds to detect if a disc is present. During this time (5-10 sec.) the laser may radiate through the lens of the laser pick-up unit. Do not attempt any servicing during this period!
If no disc is detected, the laser will stop emitting the beam. When a disc is set, you will not be exposed to any laser emissions.
- 2) The laser power level can be adjusted with the VR on the pick-up PWB. However, this level has been set by the factory prior to shipping from the factory. Do not adjust this laser level control unless instruction is provided elsewhere in this manual.
Adjustment of this control can increase the laser emission level from the device.

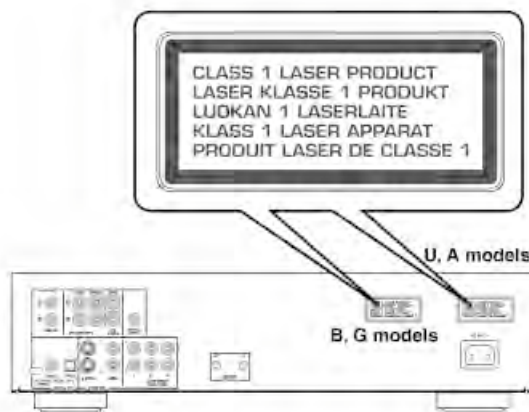
Laser Diode Properties

Type: Semiconductor laser GaAlAs
 Wave length: 658 nm (DVD)
 790 nm (VCD/CD)
 Output Power: CLASS IIa 1mW (DVD)
 CLASS I 1mW (VCD/CD)

VARO! : AVATTAESSA JA SUOJALUKITUS OHITETTAESSA OLET ALTTIINA NÄKYMÄTTÖMÄLLE LASER-SÄTEILYLLE. ÄLÄ KATSO SÄTEESEEN.
VARNING!: OSYNLIG LASERSTRÅLNING NÄR DENNA DEL ÄR ÖPPNAD OCH SPÄRREN ÄR URKOPPLAD. BETRAKTA EJ STRÅLEN.

WARNING

The use of optical instruments with this product will increase eye hazard.
 Repair handling should take place as much as possible with a disc loaded inside the player



■ PREVENTION OF ELECTRO STATIC DISCHARGE

The laser diode in the traverse unit (optical pickup) may be damaged due to static electricity from clothes or the human body. Use caution to prevent electrostatic damage when servicing or handling the laser diode.

1. Grounding for Electrostatic Damage Prevention

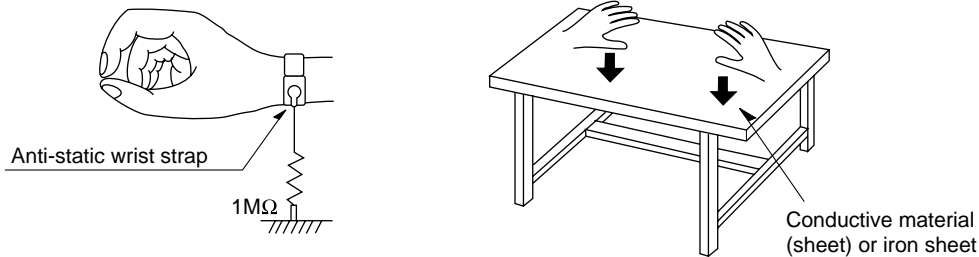
Some devices, such as the DVD player, use an optical pickup (laser diode) that will be damaged by static electricity in the working environment. Only attempt service after ensuring that all grounding procedures have been completed.

1. Worktable grounding

Put a grounded conductive material (sheet) or iron sheet on the area where the optical pickup is placed.

2. Human body grounding

Use an anti-static wrist strap to discharge the static electricity from your body.



2. Handling of the Optical Pickup

1. To prevent damage to the optical pickup replacement parts during transportation and before installation, both ends of the laser diode are short-circuited. After installing the new part, remove the short circuit according to the correct procedure in this service manual.
2. Do not use a tester to check the laser diode in the optical pickup. The power supply in the tester will damage the laser diode.

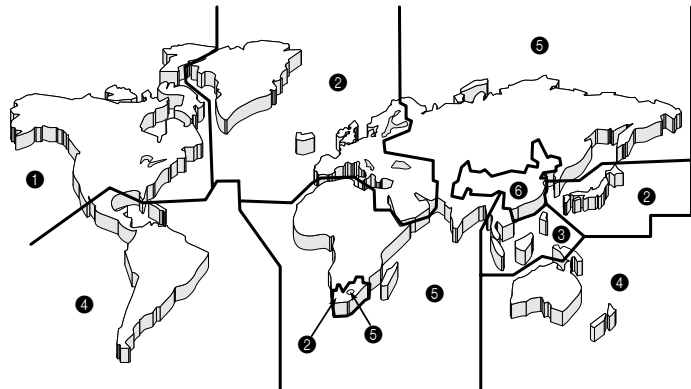
3. Handling Precautions for the Traverse Unit (Optical Pickup)

1. Handle the traverse unit (optical pickup) gently, as it is an extremely high-precision assembly.
2. The flexible cable lines may break if an excessive force is applied to it. Use caution when handling the cable.
3. The semi-fixed resistor for laser power adjustment should not be adjusted. Do not turn the resistor.

■ LOCALE MANAGEMENT INFORMATION

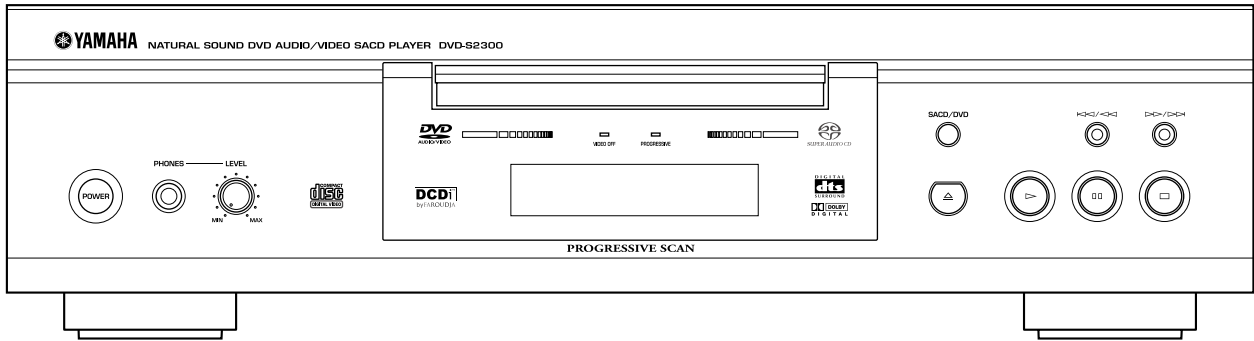
Locale Management Information : This DVD player is designed and manufactured to respond to the Locale Management Information that is recorded on the DVD disc. If the Locale number described on the DVD disc does not correspond to the Locale number of this DVD player, this DVD player cannot play this disc.

This product incorporates copyright protection technology that is protected by method claims of certain U.S. patents and other intellectual property rights owned by Macrovision Corporation and other rights owners. Use of this copyright protection technology must be authorized by Macrovision Corporation, and is intended for home and other limited viewing uses only unless otherwise authorized by Macrovision Corporation. Reverse engineering or disassembly is prohibited.

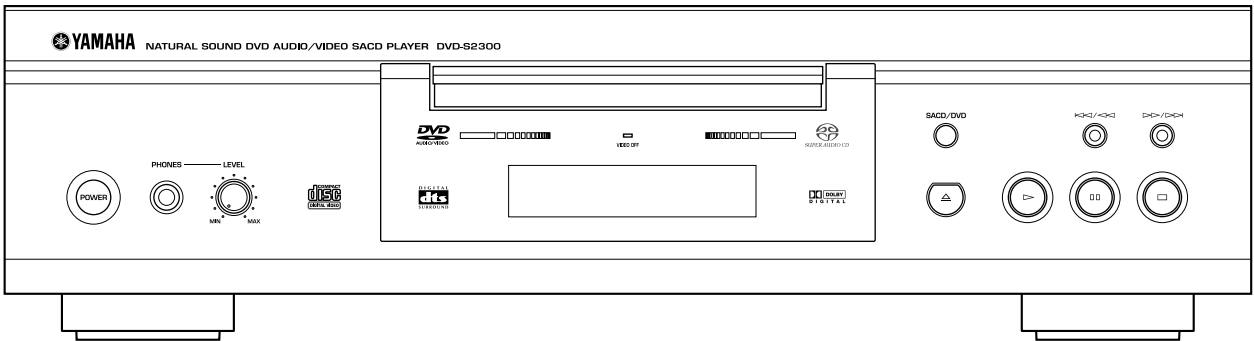


FRONT PANELS

U, J models

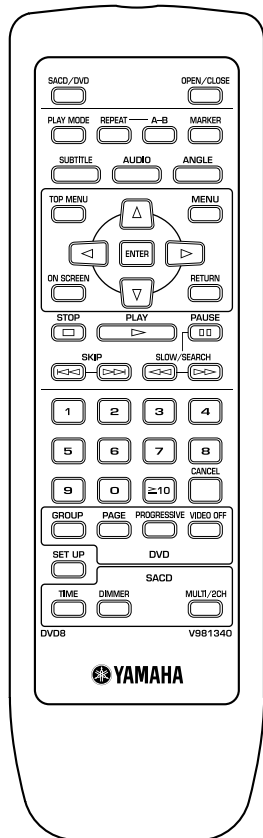


A, B, G models

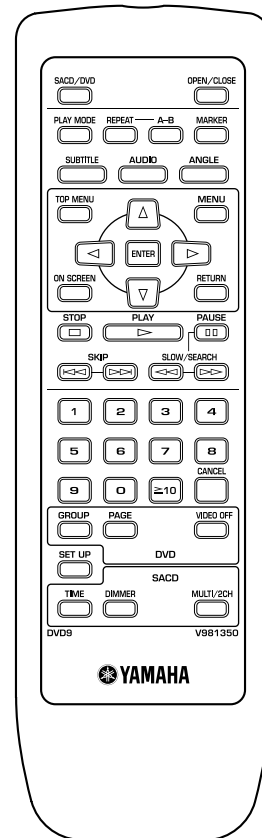


REMOTE CONTROL PANELS

U, J models



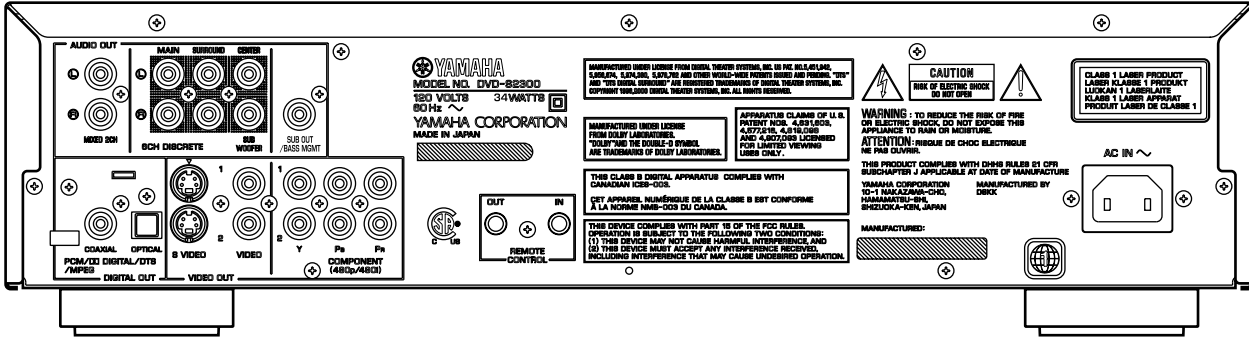
A, B, G models



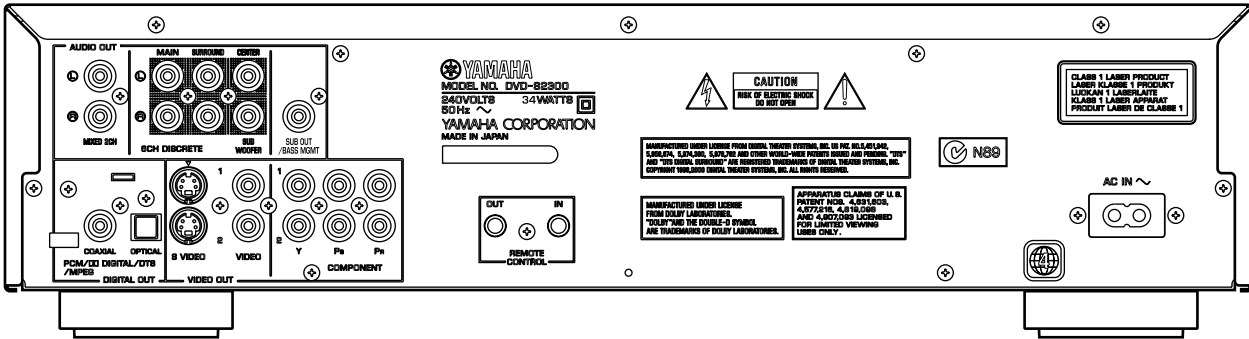
DVD-S2300

REAR PANELS

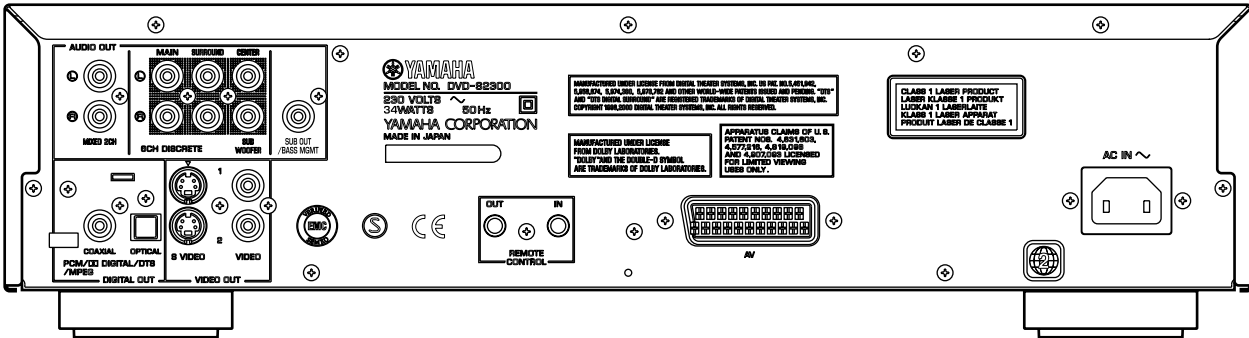
U model



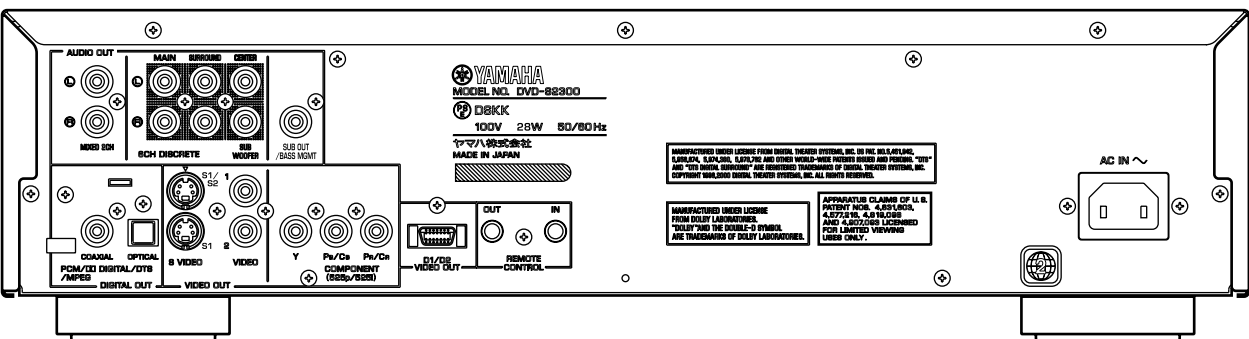
A model



B, G models



J model



DVD-S2300

■ SPECIFICATIONS / 参考仕様

Output Level / 出力レベル

SACD/DVD/VIDEO CD/CD-DA (1kHz 0dB) 2 V ± 0.3 V

Signal to Noise Ratio / 信号対雑音比

SACD/DVD/VIDEO CD/CD-DA 115 dB

Dynamic Range / ダイナミックレンジ

SACD 108 dB

DVD (48kHz, 24bit) 103 dB

VIDEO-CD/CD-DA 99 dB

Harmonic Distortion / 歪率

SACD 0.0016 %

DVD (48kHz, 24bit) 0.0020 %

VIDEO-CD/CD-DA 0.0022 %

Frequency Response / 周波数特性

DVD 2 Hz - 22 kHz (48 kHz sampling)

DVD Audio 2 Hz - 44 kHz (96 kHz sampling)

VIDEO-CD/CD-DA 2 Hz - 88 kHz (192 kHz sampling)

VIDEO-CD/CD-DA 2 Hz - 20 kHz

Video Output / 映像信号出力

..... 1 Vp-p (75 ohms)

S Video Output / Sビデオ信号出力

Y 1 Vp-p (75 ohms)

C NTSC: 0.286 Vp-p (75 ohms)

PAL: 0.300 Vp-p (75 ohms)

Component Video Output / コンポーネントビデオ出力 [U, A, J models]

Y 1 Vp-p (75 ohms)

Pb 0.7 Vp-p (75 ohms)

Pr 0.7 Vp-p (75 ohms)

Digital Output Terminal / デジタル出力端子

..... Optical x 1, Coaxial x 1

Other Output Equipment / その他の出力端子

..... SCART terminal (G, B models)
D端子(J model)

Analog output terminals

Power Supply / 電源電圧

U model AC 120 V, 60Hz

A model AC 240 V, 50 Hz

B, G models AC 230 V, 50 Hz

J model AC 100 V, 50/60 Hz

Power Consumption / 消費電力

U, A, B, G models 34 W

J model 28 W

Dimensions / 寸法 (W x H x D)

..... 435 x 116 x 350 mm
(17-1/8 x 4-9/16 x 13-3/4)

Weight / 質量

..... 8.7 kg (19 lbs. 3 oz.)

Finish / 仕上げ

..... Gold Color (G, J models)

Black Color (U, A, B, G models)

Titanium Color (G model)

Accessories / 付属品

Remote Control, Batteries x 2 (AA, R6, UM-3),

Audio/Video Cable, Power Cable

* Specifications are subject to change without notice due to product improvements.

※ 参考仕様および外観は予告なく変更されることがあります。

U U.S.A. model

B British model

J Japanese model


A Australian model

G European model



Manufactured under license from Dolby Laboratories.

"Dolby", "Pro Logic" and the double-D symbol are trademarks of Dolby Laboratories.

ドルビーラボラトリーズからの実施権に基づき製造されています。ドルビー、DOLBY、ドルビーデジタル、PRO LOGICおよびダブルD記号は、ドルビーラボラトリーズの商標です。



"DTS" and "DTS Digital Surround" are registered trademarks of Digital Theater Systems, Inc.

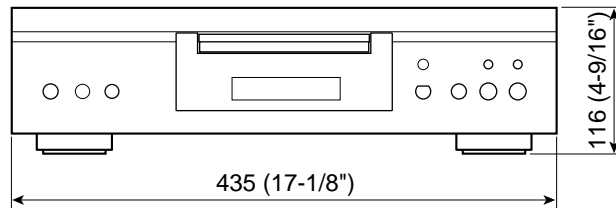
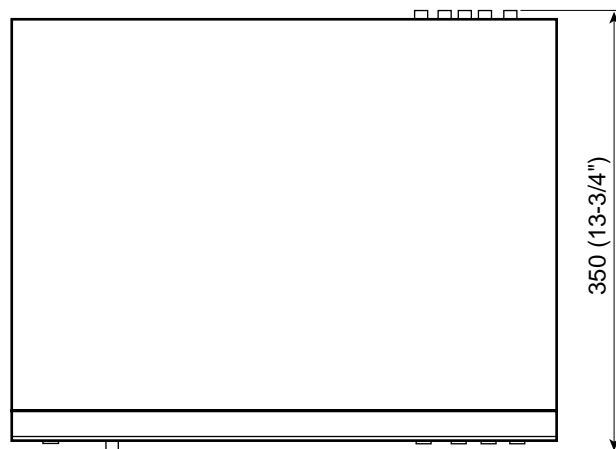
DTS、DTS Digitalサラウンドはデジタルシアターシステムズの登録商標です。



"DCDi" is a trademark of Faroudja, a division of Sage Inc.

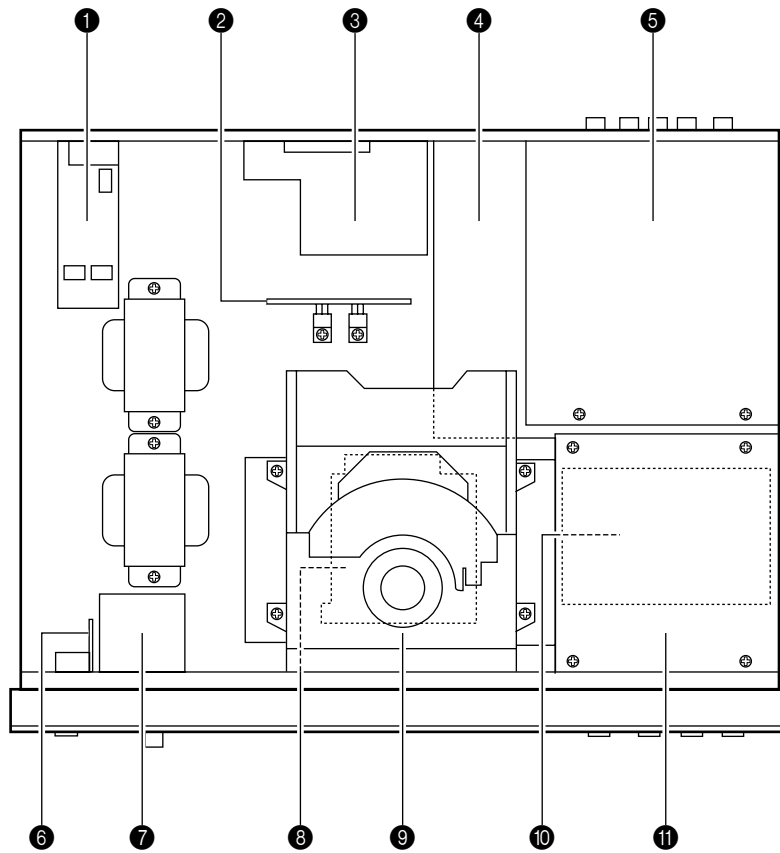
DCDiはSage社の事業部門であるFaroudiaの登録商標です。

DIMENSIONS / 寸法図



Unit : mm (inch)

INTERNAL VIEW



- ❶ MAIN (4) P.C.B.
- ❷ AUDIO (2) P.C.B.
- ❸ MAIN (6) P.C.B. (B, G models only)
- ❹ MAIN (1) P.C.B.
- ❺ AUDIO (1) P.C.B.
- ❻ MAIN (5) P.C.B.
- ❼ MAIN (3) P.C.B.
- ❽ TERMINAL P.C.B.
- ❾ DVD Mechanism
- ❿ DVD Module P.C.B.
- ⓫ SACD P.C.B.

■ DISASSEMBLY PROCEDURE / 分解手順

(Remove parts in the order as numbered.)
Disconnect the power cable from the AC outlet.

(番号順に部品を取り外してください。)
AC電源コンセントから、電源コードを抜いてください。

1. Removal of Top Cover

- a. Remove 4 screws (①) and 3 screws (②). (Fig. 1)
- b. Remove the top cover rearward while lifting it up. (Fig. 1)

1. トップカバーの外し方

- a. ①のネジ4本、②のネジ3本を外します。(Fig. 1)
- b. トップカバーを持ち上げながら後方へ外します。(Fig. 1)

2. Removal of Inner Cover

- a. Remove 4 screws (③) and 2 screws (④). (Fig. 1)
- b. Remove the inner cover. (Fig. 1)

2. インナーカバーの外し方

- a. ③のネジ4本、④のネジ2本を外します。(Fig. 1)
- b. インナーカバーを取り外します。(Fig. 1)

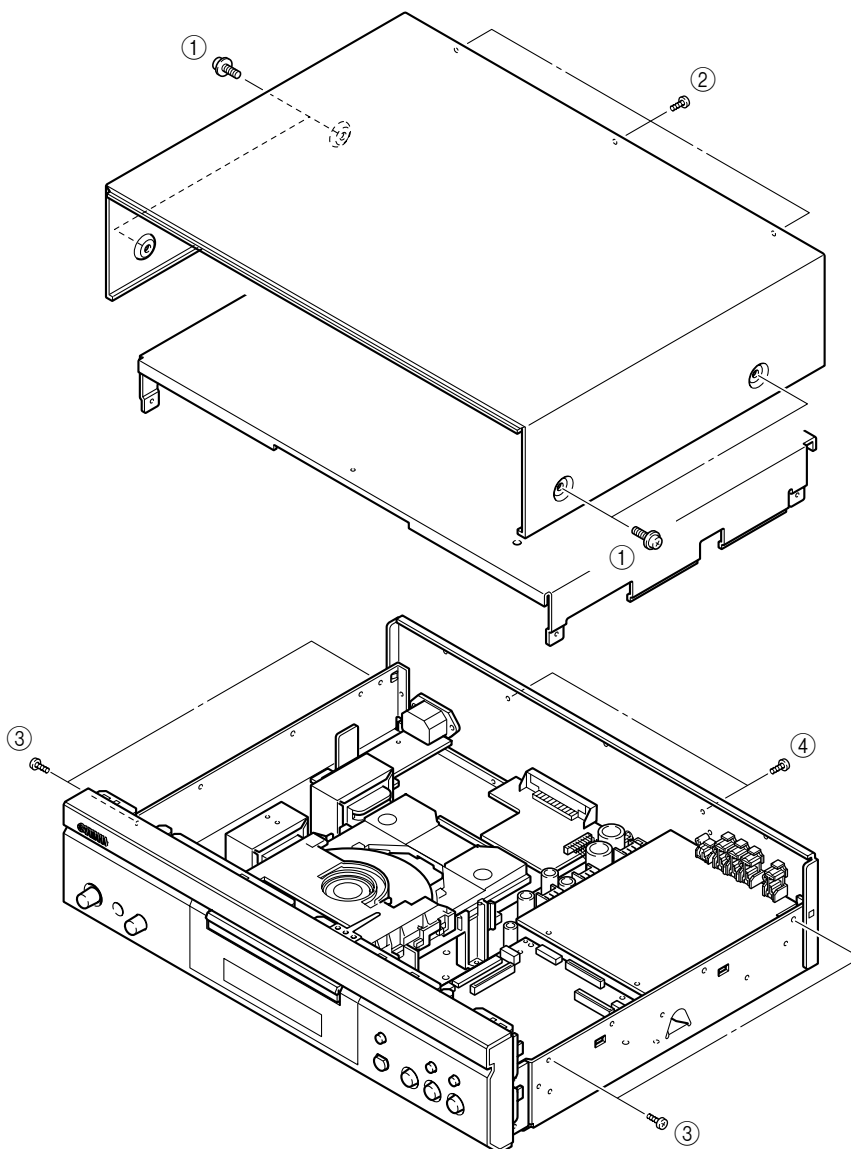


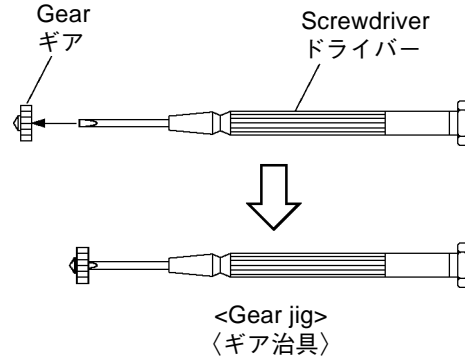
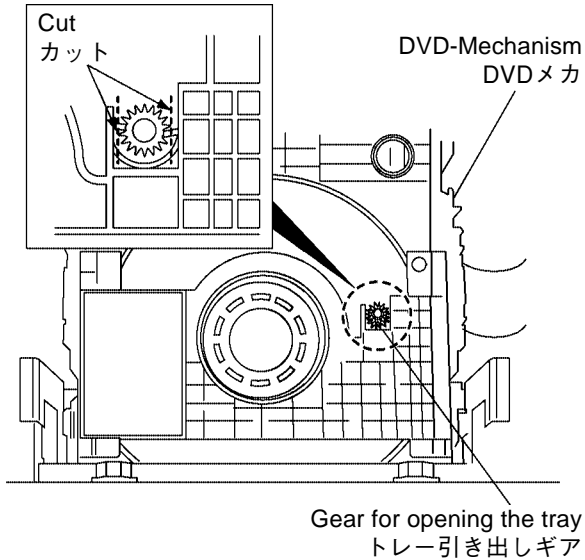
Fig. 1

3. Removal of Tray Lid

- a. Remove the gear for opening the tray from the DVD-Mechanism and install it onto a screwdriver to make a gear jig. (Fig. 2)
- b. Insert the gear jig into the tray open/close hole. (Fig. 3)
3. Turn the gear jig counterclockwise to open the tray. (Fig. 3)
4. Remove the tray lid from the tray section. (Fig. 4)

3. トレーリッドの外し方

- a. DVDメカよりトレー引き出しギアを外し、ドライバーに挿入し、ギア治具を準備します。(Fig. 2)
- b. ギア治具をトレー開閉穴に挿し込みます。(Fig. 3)
- c. ギア治具を反時計方向に回し、トレーをオープンさせます。(Fig. 3)
- d. トレー部よりトレーリッドを取り外します。(Fig. 4)



Keep the Gear after using
使用後、ギアは大切に保管してください。

Fig. 2

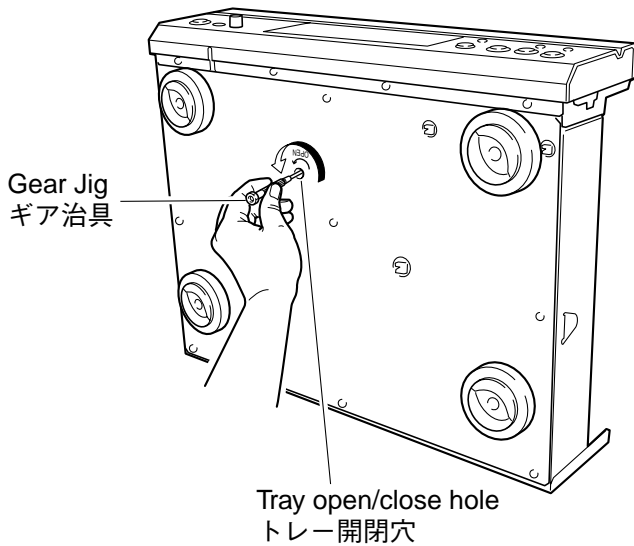


Fig. 3

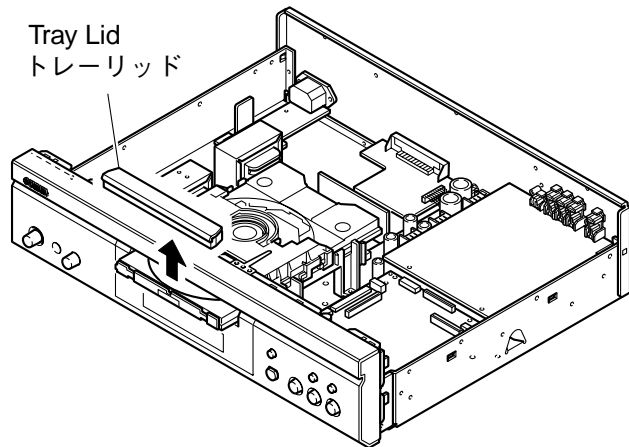


Fig. 4

4. Removal of DVD-Mechanism

- a. Disconnect the connectors CB1 and CB6. (Fig. 5)
- a. Remove 4 screws (⑤). (Fig. 5)
- b. Remove the DVD-Mechanism. (Fig. 5)

4. DVDメカの外し方

- a. コネクターCB1、CB6を外します。(Fig. 5)
- b. ⑤のネジ4本を外します。(Fig. 5)
- c. DVDメカを取り外します。(Fig. 5)

5. Removal of Front Panel Unit

- a. Remove 4 screws (⑥) and 1 screws (⑦). (Fig. 6)
- b. Remove 4 screws (⑧) (Fig. 6)
- C. Disconnect the connectors CB10, CB602, CB605 and CB803 and then remove the Front Panel Unit. (Fig. 6)

5. フロントパネルユニットの外し方

- a. ⑥のネジ4本、⑦のネジ1本を外します。(Fig. 6)
- b. ⑧のネジ4本を外します。(Fig. 6)
- c. コネクターCB10、CB602、CB605、CB803を外し、フロントパネルユニットを取り外します。(Fig. 6)

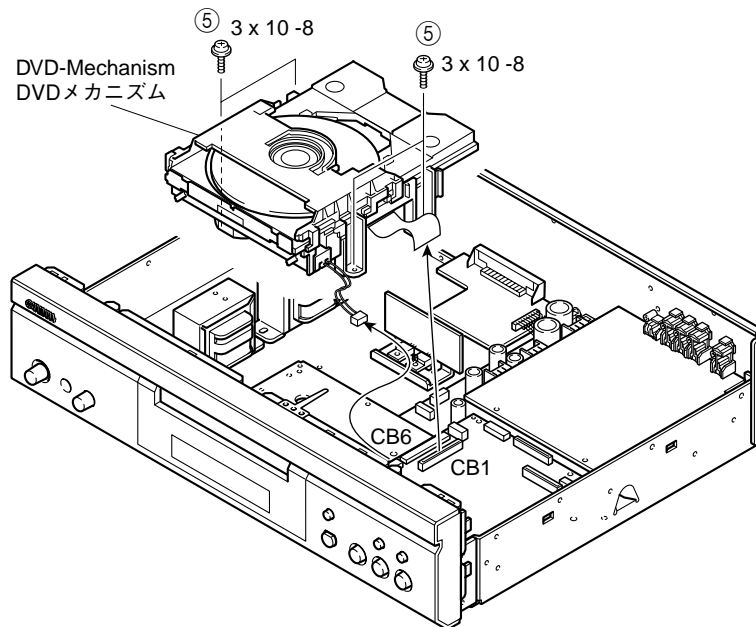


Fig. 5

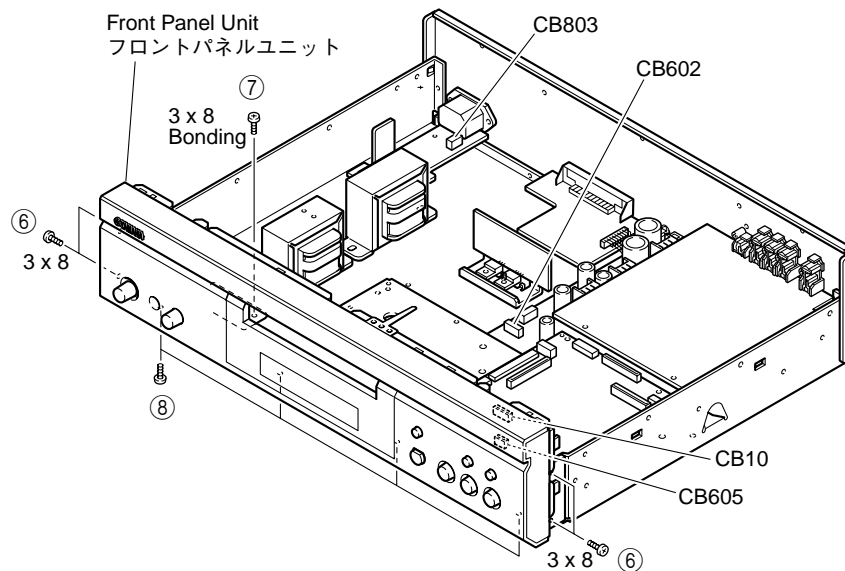


Fig. 6

6. Removal of AUDIO P.C.B.

- Disconnect the connectors CB301, CB302, CB303 and CB304. (Fig. 8)
- Remove 4 screws (9). (Fig. 7)
- Remove 2 screws (10) and then remove the AUDIO (1) P.C.B. (Fig. 8)

7. Removal of SACD P.C.B.

- Disconnect the connectors CB3, CB12 and CB13. (Fig. 8)
- Remove the SACD P.C.B. with the tip of the 4 support pinched with pliers or the like. (Fig. 8)

8. Removal of Support/P.C.B.

- Remove 1 screws (11). (Fig. 7)
- Remove 5 screws (12) and then remove the Support/P.C.B. (Fig. 9)

6. AUDIO P.C.B.の外し方

- コネクタCB301、CB302、CB303、CB304を外します。(Fig. 8)
- 9のネジ4本を外します。(Fig. 7)
- 10のネジ2本を外し、AUDIO (1) P.C.B.を取り外します。(Fig. 8)

7. SACD P.C.B.の外し方

- コネクタCB3、CB12、CB13を外します。(Fig. 8)
- 4箇所のサポートの先をペンチ等でつまみながら、SACD P.C.B.を取り外します。(Fig. 8)

8. サポート/P.C.B.の外し方

- 11のネジ1本を外します。(Fig. 7)
- 12のネジ5本を外し、サポート/P.C.B.を取り外します。(Fig. 9)

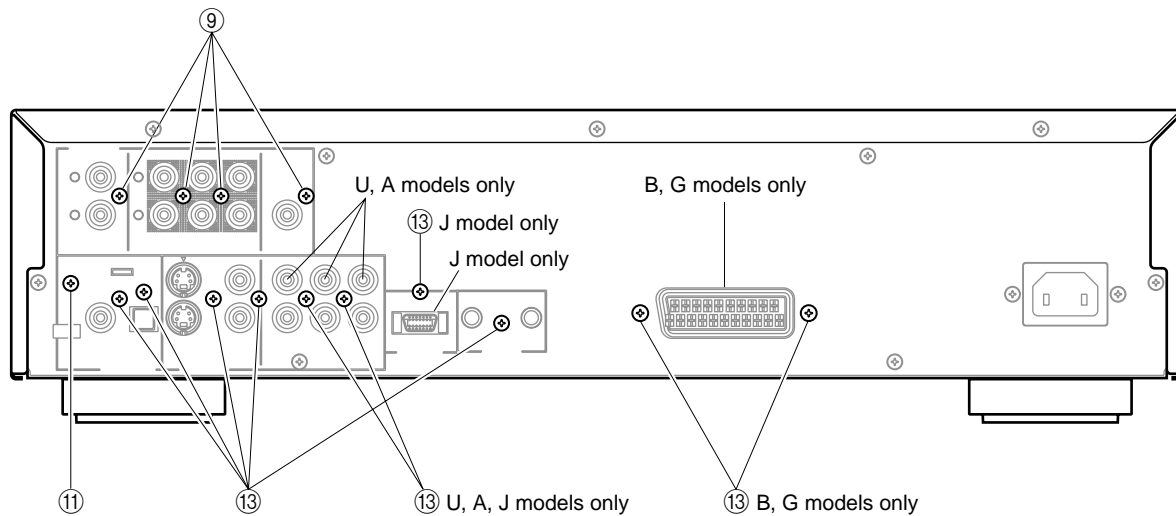


Fig. 7

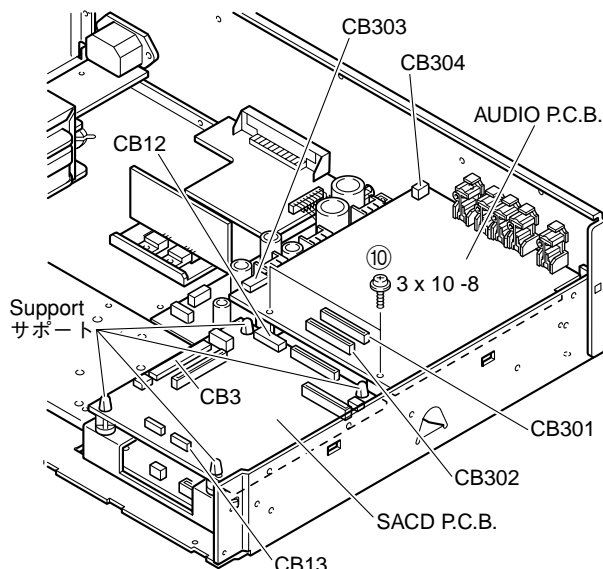


Fig. 8

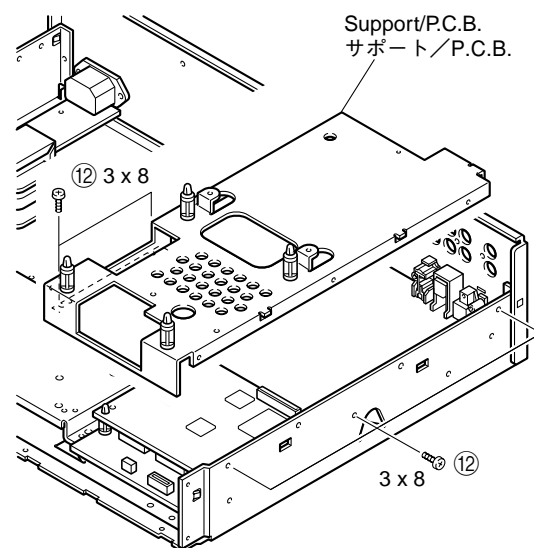


Fig. 9

9. Removal of DVD Module P.C.B.

Remove the DVD module P.C.B. with the tip of the 4 support pinched with pliers or the like. (Fig. 10)

10. Removal of MAIN P.C.B.

- Disconnect the connectors CB606, CB608 and CB609. (Fig. 11)
- Remove 7 screws (13). (Fig. 7)
- Remove 1 screw (14) and (15) and remove 2 screws (16) and then remove the MAIN (1) and (6) P.C.B. (Fig. 11)

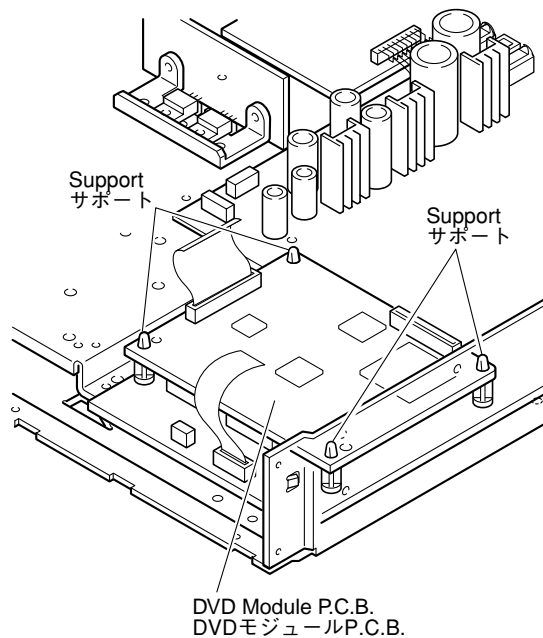


Fig. 10

9. DVDモジュールP.C.B.の外し方

4箇所のサポートの先をペンチ等でつまみながら、DVDモジュールP.C.B.を取り外します。(Fig. 10)

10. MAIN (1)、(6) P.C.B.の外し方

- コネクタCB606、CB608、CB609を外します。(Fig. 11)
- 13のネジ8本を外します。(Fig. 7)
- 14のネジ1本、15のネジ1本、16のネジ2本を外し、MAIN (1)、(6) P.C.B.を取り外します。(Fig. 11)

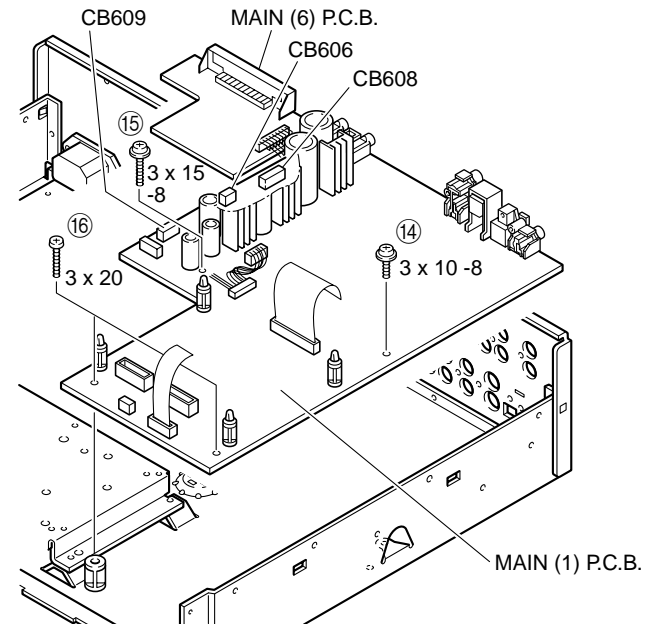


Fig. 11

Checking the SACD P.C.B.

- After removing the top cover and inner cover, remove the SACD P.C.B.
Set the SACD P.C.B. upright with its right side upward. (Fig. 12)
- Replace the cables connected to the SACD P.C.B. with the following extension cables for servicing. (Fig. 12)
35-pin extension cable (200mm) : MFA35200
15-pin extension cable (200mm) : MFA15200

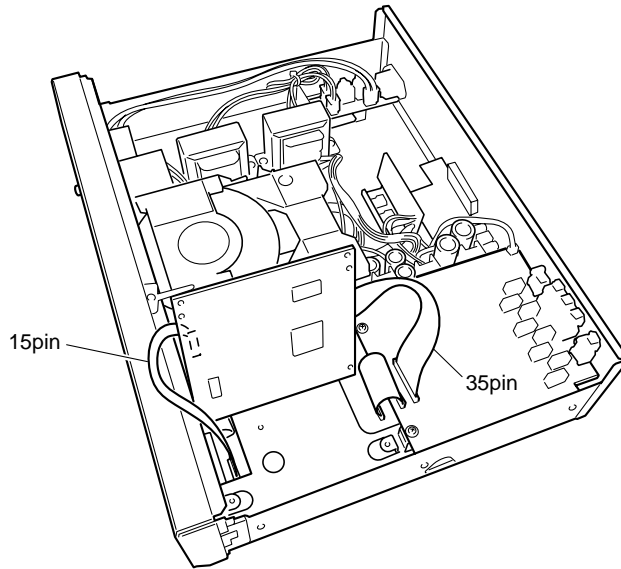


Fig. 12

SACD P.C.B.のチェック

- トップカバー、インナーカバーを外し、SACD P.C.B.を外します。
SACD P.C.B.の右側を上にして立てます。(Fig. 12)
- SACD P.C.B.に接続されているケーブルを下記のサービス用延長ケーブルに交換します。(Fig. 12)
35ピン延長ケーブル(200mm) : MFA35200
15ピン延長ケーブル(200mm) : MFA15200

Checking the AUDIO P.C.B.

- After removing the top cover and inner cover, remove the AUDIO P.C.B.
Set the AUDIO P.C.B. upright with its rear panel side upward. (Fig. 13)
- Disconnect the cable connected to the AUDIO P.C.B. and then reconnect it via the following extension cable for servicing. (Fig. 13)
3-pin extension cable (100mm) : VM017100

AUDIO P.C.B.のチェック

- トップカバー、インナーカバーを外し、AUDIO P.C.B.を外します。
AUDIO P.C.B.のリアパネル側を上にして立てます。(Fig. 13)
- AUDIO P.C.B.に接続されているコネクタを一旦外し、下記のサービス用延長ケーブルを介して再度接続します。(Fig. 13)
3ピン延長ケーブル(100mm) : VM017100

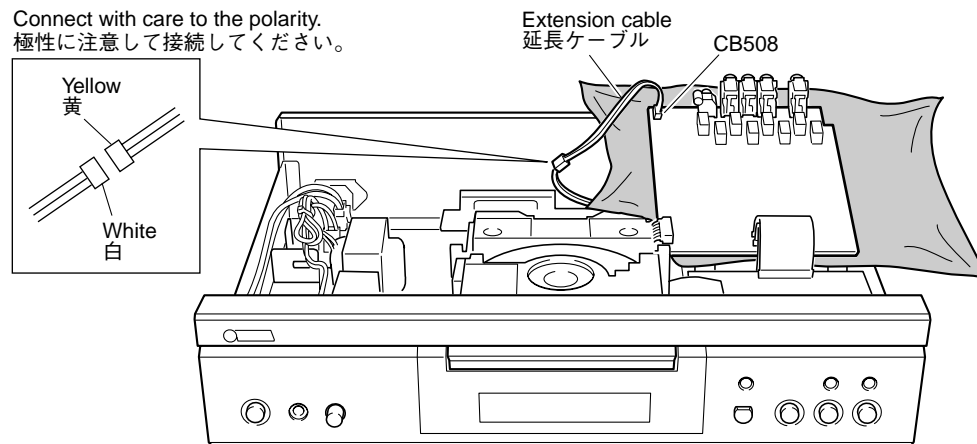


Fig. 13

Checking the MODULE P.C.B.

- With the top cover, inner cover and support/P.C.B. removed, spread cloth over the MAIN P.C.B. and place the AUDIO P.C.B. on it. Set the SACD P.C.B. and MODULE P.C.B. with their right side upward. (Fig. 14)
- Replace the cables connected to the SACD P.C.B. and MODULE P.C.B. with the following extension cables for servicing. (Fig. 13)

35-pin extension cable (200mm) : MFA35200
 15-pin extension cable (200mm) : MFA15200
 26-pin extension cable (JGS0098) : TX946370
 22-pin extension cable (JGS0116) : AAX16610

MODULE P.C.B.のチェック

- トップカバー、インナーカバー、サポート/P.C.B.を外した状態にします。MAIN P.C.B.の上に布を敷き、AUDIO P.C.B.を乗せます。SACD P.C.B.およびMODULE P.C.B.の右側を上にして立てます。(Fig. 14)
- SACD P.C.B.およびMODULE P.C.B.に接続されているケーブルを下記のサービス用延長ケーブルに交換します。(Fig. 13)

35ピン延長ケーブル(200mm): MFA35200
 15ピン延長ケーブル(200mm): MFA15200
 26ピン延長ケーブル(JGS0098): TX946370
 22ピン延長ケーブル(JGS0116): AAX16610

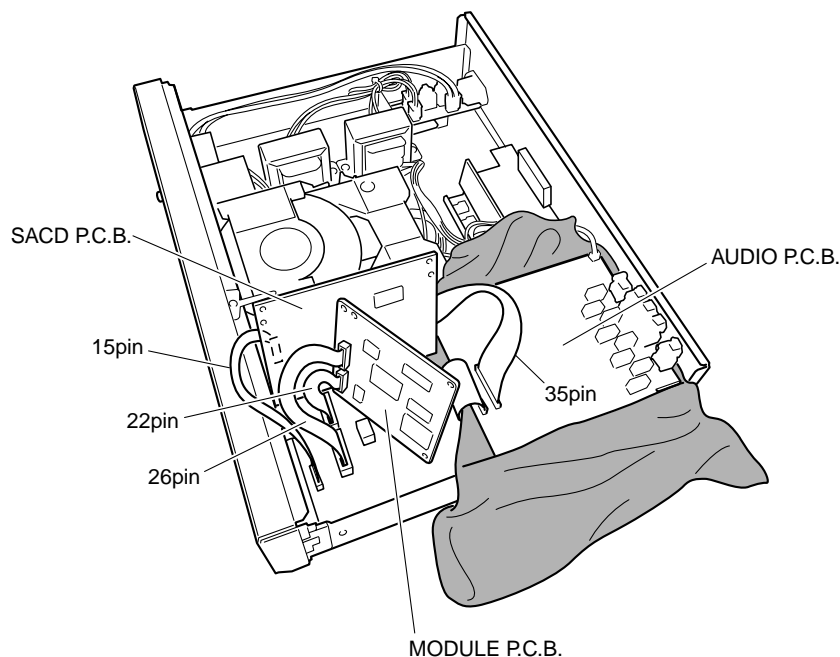


Fig. 14

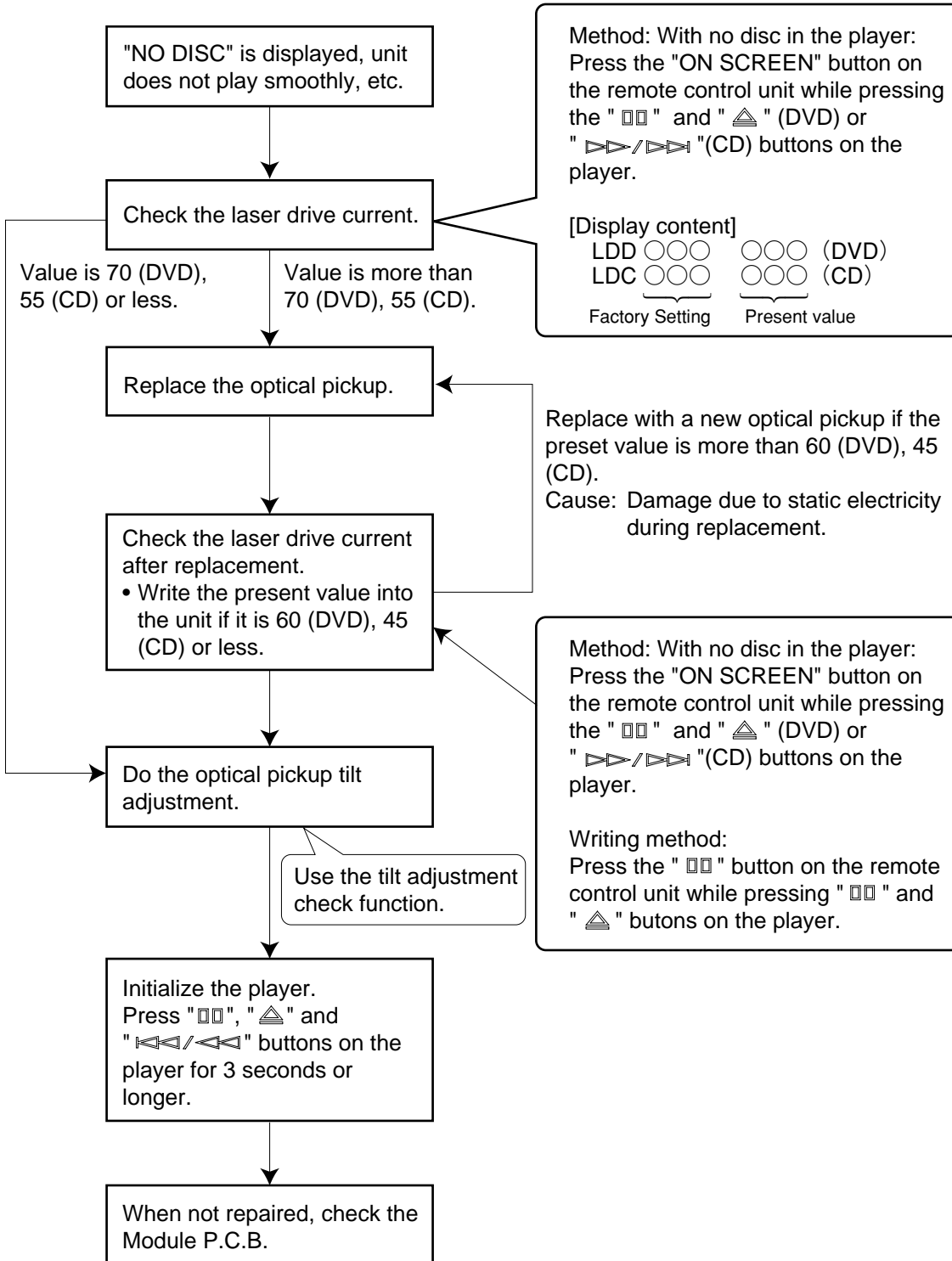
OPTICAL PICKUP SELF-DIAGNOSIS AND REPLACEMENT PROCEDURE

1. Self-diagnosis

An optical pickup self-diagnosis function and tilt adjustment check function have been included in this unit. When repairing, use the following procedure for effective Self-diagnosis and tilt adjustment. Be sure to use the self-diagnosis function before replacing the optical pickup when "NO DISC" is displayed. As a guideline, you should replace the optical pickup when the value of the CD laser drive current is more than 55 (70 for DVD).

Note:

- Check the value within three minutes after applying the power to the player. (When the unit warms up, the result will be incorrect.)
- Be sure to perform the following operation in the DVD mode.



DVD-S2300

■光ピックアップの故障診断と交換手順

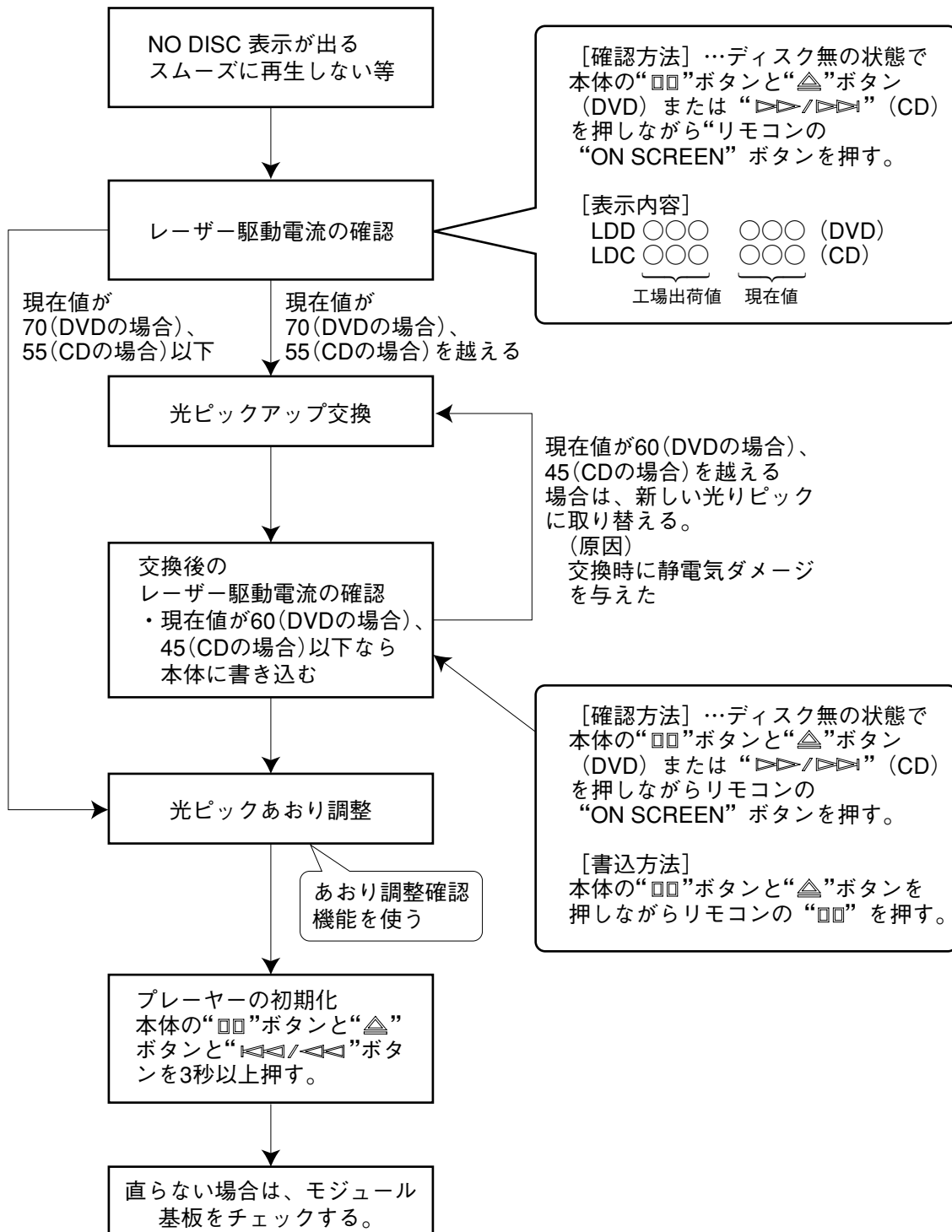
1. 故障診断

本機には、新機能として「光ピックアップ故障診断機能」と「あおり調整確認機能」を内蔵しております。修理時は、次の手法を用い効率的に故障診断、およびあおり調整を実施ください。

特に「NO DISC」表示が出る場合は光ピックアップを交換する前に「故障診断」を行います。レーザー駆動電流の現在値が「55を越える」場合が光ピックアップ交換の目安になります。

注意

- 電源を入れてから3分以内に診断をしてください。(プレーヤーが温まると正確な診断ができません。)
- 下記の操作はDVDモードに設定した状態で行ってください。



■ SERVICE MODE AND SELF-DIAGNOSIS FUNCTION

1. Service Mode

- a. Turn on the POWER switch.
- b. Press the SACD/DVD button to set to the DVD mode, and the DVD mode indicator lights up.
- c. It is possible to use the following service modes, using the buttons on the player and the remote control unit in combination.

Note: For jitter check, load the DVD test disc. [DVDT-S15 (AAX07320) or DVDT-S01]

Item	Player mode and button combination	Function	Display	Cancellation method
Error code check	In STOP mode, press "00" and "△" buttons on the player, and "0" button on the remote control unit.	The latest error code stored in EEPROM is displayed.	Error code (play_err) is expressed in the following convention. Error code = 0 x DAXX is expressed: → nn UXX Error code = 0 x DBXX is expressed: → nn HXX Error code = 0 x DXXX is expressed: → nn FXXX Error code = 0 x 0000 is expressed: → nn F— * "nn" denotes the serial number of history.	Cancelled automatically 5 seconds later.
Jitter check	In PLAY mode, press "00" and "△" buttons on the player, and "5" button on the remote control unit.	Jitter rate is measured and displayed.	J_xxx_yyy_zz <p>Jitter rate is shown in decimal notation to one place of decimal. Focus drive value is shown in hexadecimal notation.</p>	Press STOP or OPEN button.
Region display	In STOP mode, press "00" and "△" buttons on the player, and "6" button on the remote control unit.	The region numbers and video format are displayed.	x_yy_zzz <p>N: NTSC / 6: PAL60 N: noPAL / P:PAL Region No.</p>	Cancelled automatically 5 seconds later.
Version display	In STOP mode, press "00" and "△" buttons on the player, and "7" button on the remote control unit.	DVD module firmware version is displayed.	srrr_xyzzzz <p>Version number</p>	Cancelled automatically 5 seconds later.
DVD laser drive current measurement	In STOP mode, press "00" and "△" buttons on the player, and "ON SCREEN" button on the remote control unit.	DVD laser drive current is measured and the result is displayed together with the initial value stored in EEPROM. After the measurement, DVD laser emission is kept on. It is turned off when the "POWER" key is switched off.	LDD_034_032 <p>The value denotes the current in decimal notation. The above example shows the initial current is 34mA and the measured value is 32mA.</p>	Cancelled automatically 5 seconds later.
Initial setting of laser drive current	In STOP mode, press "00" and "△" buttons on the player, and "00" button on the remote control unit.	The initial current value for each DVD laser and CD laser is separately saved in EEPROM.	LDO_034_028 <p>The value denotes the current in decimal notation. The above example shows the initial current is 34mA and 28mA for DVD laser and CD laser respectively when the laser is switched on.</p>	Cancelled automatically 5 seconds later.

DVD-S2300

■ サービスモードと自己診断機能

1. サービスモード

- 電源スイッチをONにします。
- SACD/DVDボタンを押してDVDモードにします。
DVDモードインジケータが点灯します。
- 本体とリモコンのボタンの組み合わせで下記のサービスモードが活用できます。
注) ジッタチェックには、DVDテストディスクを使用します。[DVD-S15(AAX07320) or DVDT-S01]

項目	動作条件とキー操作	機能	表示	解除方法
エラーコード表示	ストップ状態で、 本体" 00 " + " △ " + " + " リモコン" 0 " を押す。	EEPROMに格納された最新の エラーコードを表示する。	エラーコード(play_err)を下記ルールで 表示する。 エラーコード= 0 x DAXXの表示 → nn UXX エラーコード= 0 x DBXXの表示 → nn HXX エラーコード= 0 x DXXXの表示 → nn FXXX エラーコード= 0 x 0000の表示 → nn F--- ※"nn"はエラー履歴番号	5秒後に自動解除 する。
ジッタ表示	プレイ状態で、 本体" 00 " + " △ " + " + " リモコン" 5 " を押す。	ジッタを測定し表示する。	J_xxx_yyy_zz ↑ ↑ ↑ ↑ フォーカス駆動値 ↑ リードエラーカウンタ ↑ ジッタ測定値 ↑ ジッタ表示モード 表示値は小数点以下1桁の10進数。 フォーカス駆動値は16進数表示。	STOPまたは OPENボタン を押す
リージョン表示	ストップ状態で、 本体" 00 " + " △ " + " + " リモコン" 6 " を押す。	リージョン番号とビデオ フォーマットを表示する。	x_yy_zzz ↑ ↑ ↑ ↑ N: NTSC / 6: PAL60 ↑ N: noPAL / P: PAL ↑ リージョン番号	5秒後に自動解除 する。
バージョン表示	ストップ状態で、 本体" 00 " + " △ " + " + " リモコン" 7 " を押す。	DVDモジュールファームウェア バージョンを表示する。	srrr_xyzzzz ↑ ↑ バージョン番号	5秒後に自動解除 する。
DVDレーザー 駆動電流測定	ストップ状態で、 本体" 00 " + " △ " + " + " リモコン" ON SCREEN " を押す。	DVDレーザー電流を測定し、 EEPROMに記録された初期値と 共に表示する。 なお、測定後、DVDレーザーは 点灯を継続し、"POWER"キーに よる電源オフで消灯する。	LDD_034_032 ↑ ↑ ↑ ↑ 電流現在値 ↑ EEPROMに記録された電流初期値 ↑ DVDレーザー電流測定モード 表示値は10進数で電流を示す。上記の例 では、レーザーオン時電流の初期値が34mA、 現在値が32mAであることを示す。	5秒後に自動解除 する。
レーザー駆動 電流初期値 設定	ストップ状態で、 本体" 00 " + " △ " + " + " リモコン" 00 " を押す。	DVDとCDの初期値を別々に EEPROMに記録する。	LDO_034_028 ↑ ↑ ↑ ↑ CD電流測定値 ↑ DVD電流測定値 ↑ レーザー電流初期値設定モード 表示値は10進数で電流を示す。上記の例 では、レーザーオン時の電流初期値が、 DVDレーザー34mA、CDレーザー28mAである ことを示す。	5秒後に自動解除 する。

Item	Player mode and button combination	Function	Display	Cancellation method
CD laser drive current measurement	In STOP mode, press " " and " >>/>> " buttons on the player, and "ON SCREEN" button on the remote control unit.	CD laser drive current is measured and the result is displayed together with the initial value stored in EEPROM. After the measurement, CD laser emission is kept on. It is turned off when the "POWER" key is switched off.	<p>The value denotes the current in decimal notation. The above example shows the initial current is 28mA and the measured value is 26mA.</p>	Cancelled automatically 5 seconds later.
DVD user settings initialization	In STOP mode, press " ", " ▲ " and " <</<< " buttons on the player for 3 seconds or longer.	All settings on the setup menu return to factory defaults.	"Initialized" is displayed on the video monitor connected to the player.	

2. Self-Diagnosis Function (UHF Display)

This unit incorporates a convenient self-diagnosis function for use in troubleshooting.

Display method	Display	Diagnosis
Service numbers displayed during use.	U11	Focus error
	H01	Tray loading error
	H02	Spindle servo error
	H03	Traverse error
	H04	Tracking servo error
	H05	Seek error
	H06	Power supply error
In STOP mode, press " " and " ▲ " buttons on the player, and " 0 " button on the remote control unit.	F0**	Disc format error
	F1**	Disc code error
	F2**	Decoder LSI error
	F3**	SDRAM error
	F4**	IIC BUS error
	F5**	DSC error
	F6**	ECC error
	F7**	Microprocessor error
F8**	Microprocessor error	
		Refer to error code.

項目	動作条件とキー操作	機能	表示	解除方法
CDレーザー 駆動電流測定	ストップ状態で、 本体" 00 " + " ▷▷ / ▷▷ " + リモコン"ON SCREEN" を押す。	CDレーザー電流を測定し、 EEPROMに記録された初期値と 共に表示する。 なお、測定後、CDレーザーは点灯 を継続し、"POWER"キーによる 電源オフで消灯する。	LDC_028_026 表示値は10進数で電流を示す。上記の例 では、レーザーオン時電流の初期値が28mA、 現在値が26mAであることを示す。	5秒後に自動解除 する。
DVDユーザー 設定イニシヤ ライズ	ストップ状態で、 本体" 00 "、" △ "、 " ◀◀ / ▶▶ " を 3秒以上押す。	DVDモードのユーザー設定が 工場出荷時に戻る。	本体に接続されたモニター画面に "オールクリア"が表示される。	

2. 自己診断機能(UHF表示)

本機には、故障修理時に使うのに便利な自己診断機能が組み入れてあります。

表示モード	表示	診断
使用中は、サービス番号 を表示。	U11	フォーカス・エラー
	H01	トレイ搭載エラー
	H02	スピンドル・サーボエラー
	H03	トラバース・エラー
	H04	トラッキング・サーボ・エラー
	H05	シーク・エラー
	H06	電源エラー
ストップ状態で、 本体" 00 " + " △ " + リモコン" 0 " を押す。	F0**	ディスク・フォーマット・エラー
	F1**	ディスク・コード・エラー
	F2**	デコーダーLSIエラー
	F3**	SDRAMエラー
	F4**	IIC BUS エラー
	F5**	DSCエラー
	F6**	ECCエラー
	F7**	マイコン・エラー
F8**	マイコン・エラー	

エラーコード参照

3. テストモード

●テストモードの起動

- 電源スイッチをONにします。
- SACD/DVDボタンを押してSACDモードにします。
SACDモードインジケータが点灯します。
- 本体"00 "+" <<</><<< "ボタンとリモコン"PLAY"ボタンを押します。
テストモードが起動します。このとき、SACDモードのユーザー設定およびDVDモードのユーザー設定が工場出荷時に戻ります。

●テストモード起動時の表示

FL表示器の全セグメントが点灯した後、パネルマイコン(IC40: MN102HF60G)のファームウェアバージョンを表示します。 例) Ver P140

●テストモードの解除

電源スイッチをOFFにします。

●テスト機能一覧

テストモードでは下記のテスト機能が使用できます。

項目	操作	機能	FL表示
DVDモジュール イニシャライズ	本体"0 "+"リモコン" CANCEL " を押す。	DVDモジュールP.C.B.の情報のすべてを初期化する。 本体に接続されたモニター画面に"オールクリア"が表示される。	
P.C.B.検査	リモコン"TOP MENU"を押す。	SODC DRAM書き込み/読み出しテスト	SODC DRAM OK or NG
	リモコン"MENU"を押す。	DSD DRAMテスト	DSD DRAM OK or NG
	リモコン"ANGLE"を押す。	EEPROM書き込み/読み出しテスト	EEPROM OK or NG
	リモコン"AUDIO"を押す。	DSDテスト信号出力チャンネルON	TEST TONE
	リモコン"PLAY MODE"を押す。	Drive IC Mute OFF機能	DrvMute Off
	リモコン"MARKER"を押すごとに パターン1、2が切り替わる。	SHIFTレジスタテスト出力(2パターン) パターン1: DVDモード表示、VIDEO OFFが点灯 パターン2: SACDモード表示、 PROGRESSIVEが点灯	ShiftReg 55h ShiftReg AAh
	リモコン"PROGRESSIVE"を押すごとに パターン1、2、3が切り替わる。	S端子、D端子、SCART端子制御信号(3パターン)	Video Mode 1 or 2 or 3
	リモコン"DIMMER"を押す。	FL、LEDテストパターン出力 (全灯→FL:12--9AB, LED:DVD/VOFF ON/ →消灯)	
	リモコン"REPEAT"を押す。	DVDレーザーON	DVD Laser ON
	リモコン"A-B"を押す。	CDレーザーON	DVD Laser OFF
リモコン"STOP"を押す。	サーボOFF、OSDテスト信号OFF、Analog Mute ON パネルマイコンバージョン表示	例) Ver P140	
サーボテスト	リモコン"1"を押す。	サーボ初期化動作からディスク回転立ち上げ(1000rpm)	Adj1 OK or ERR
	リモコン"2"を押す。	ディスク検出動作からフォーカスON	Adj2 OK or ERR
	リモコン"3"を押す。	フォーカスON後の最初の調整: フォーカス位置粗調整DM CLV	Adj3 OK or ERR
	リモコン"4"を押す。	トラッキングバランス調整とトラッキングON	Adj4 OK or ERR
	リモコン"5"を押す。	サーボ自動調整(フォーカス位置調整、FO/TRゲイン調整)	Adj5 OK or ERR
	リモコン"6"を押す。	FEPイコライザーEQ/Boost調整	Adj6 OK or ERR
	リモコン"9"を押す。	トラッキングON	Tr On OK or ERR
	リモコン"0"を押す。	トラッキングOFF	Tr Off OK or ERR

4. Service Precautions

4.1. Recovery After the DVD Player is Repaired

When the DVD module P.C.B., or a FROM or an EEPROM on the DVD module P.C.B. has been replaced, carry out the recovery disc procedure to optimize the drive.

Playback the disc below to perform the recovery automatically,

Recovery disc: RFKZD5TR001 (AAX27810)

Note:

When the recovery procedure is performed, the user settings will be erased and the factory settings will be restored as when the initialization procedure is used. Therefore, it is necessary to write down the content of the user settings before performing the recovery procedure and reset it after that.

4.2. Firmware Version-Up of the DVD Module

The firmware of the DVD module may be updated to improve the quality, including optimizing operationability and playability with substandard discs.

The version-update disc also has a recovery function so that you don't need to use the recovery disc again.

Detailed information on supply of the version-update disc will be provided in Service News.

Note:

If the AC power supply is lost during version-updating due to a power failure, the version-update is improperly carried out.

In such a case, replace the FROM and carry out the version-update again.

If recovery by using the version-update disc has failed, start up the TEST mode and initialize the DVD module. (Refer to the description of the previous section.)

5. Handling After Completing Repairs

Use the following procedure after completing repairs.

5.1. Method

Confirm that the power is turned on:

- Press the "OPEN/CLOSE" button to close the tray.
- Turn off the POWER switch.
- Disconnect the power plug from the outlet.

5.2. Precautions

Do not disconnect the power plug from the outlet with the tray still open, then close the tray manually.

4. サービス時の注意事項

4.1. DVD プレーヤ修理後のリカバリー処置

DVDモジュール基板またはDVDモジュール基板内のFROMまたはEEPROM等を交換した場合はドライブを最適化するためにリカバリーディスク処置を実施してください。

リカバリーディスク: RFKZD5TR001 (AAX27810)

注意

リカバリー処置を実施すると、ユーザイニシャライズと同様にお客様が設定された情報が工場出荷状態に戻りますので、あらかじめ設定内容を控えておき、リカバリー処置実施後に再設定してください。

4.2. DVD モジュールのファームウェアバージョンアップ

製品の操作性や規格外ディスクに対するプレーヤビリティ等の品質性能向上のためDVDモジュールのファームウェアを更新する場合があります。

その場合、バージョンアップディスクはリカバリー機能も有していますのでリカバリーディスクでもう一度やり直す必要はありません。

バージョンアップディスクの詳細な情報はサービスニュースでお知らせします。

注意

バージョンアップ中に停電等でAC電源が切れた場合はバージョンアップが正常に行われません。

その場合はFROMを交換して再度バージョンアップを実施してください。

バージョンアップディスクでのリカバリーがうまくいかない場合は、テストモードを起動し、DVDモジュールのイニシャライズを行ってください。(前項参照)

5. 修理完了後の取り扱い

修理完了後は次の操作を行なってください。

5.1. 方法

電源オンの状態で

- 開/閉ボタンを押し、トレーを閉じる。
- 電源スイッチをOFFにする。
- 電源のコンセントを抜く。

5.2. ご注意

トレーが出たまま電源コンセントを抜いて、後から手動でトレーを閉じないでください。

6. Error Code

	Description of error	Supplementary explanation	Faulty point 1	Faulty point 2	Faulty point 3	Faulty point 4
	L, H error					
U11	Focus error					
H01	Tray loading error					
H02	Spindle servo error	(Spindle servo, DSC SP motor, CLV servo error)				
H03	Traverse servo error					
H04	Tracking servo error					
H05	Seek error					
H06	Power supply error	The power cannot be turned off due to a communication error between the panel control and the system control.				
	DSC related error					
F500	DSC error	DSC is stopped due to occurrence of a servo error. (startup, focus error, etc.)	OPU	ADSC (IC2001)	FEP (IC5201)	Servo drive
F501	DSC not ready	Communication error between DSC and system control (communication failure due to DSC not at work)	ADSC (IC2001)	CPU (IC6201)		
F502	DSC time out error	To be handled in the same way as F500	OPU	ADSC (IC2001)	FEP (IC5201)	Servo drive
F503	DSC communication failure	Communication error (A communication command was transmitted but an error occurred.)	ADSC (IC2001)	FEP (IC5201)	EEPROM (IC6221)	
F505	DSC Attention Error	To be handled in the same way as F500	OPU	ADSC (IC2001)	FEP (IC5201)	Servo drive
F506	Invalid media	The disc is upside down, TOC cannot be read, unusable disc	Disc	FEP (IC5201)	ADSC (IC2001)	ODC (IC2001)
	ODC related error					
F600	No control data is obtainable due to a demodulation error	Operation is stopped because the navigation data cannot be obtained due to a faulty condition of the demodulation system	ODC (IC2001)	FEP (IC5201)	ADSC (IC2001)	
F601	Undefined sector ID is requested.	Operation is stopped due to a request for access by an abnormal ID data.	ODC (IC2001)	FEP (IC5201)	ADSC (IC2001)	
F602	LEAD-IN is not obtainable due to demodulation error.	LEAD IN data cannot be read.				
F603	KEY DET is not obtainable due to a demodulation error	The CSS data of the disc cannot be obtained.				
F610	ODC abnormal	Issuing a command is not permitted.	ODC (IC2001)			
F611	6626 QCODE don't read Error	No seek address is obtainable in the CD system.	ODC (IC2001)			
F612	No CRC OK is issued for a certain time.	No ID data is obtainable in the DVD system.	ODC (IC2001)			
F630	No response is provided for the inquiry of KEY DET.	(Only when used internally)				
F631	CPPM KEY DET is not usable until the end of the file.	The CPPM file system cannot be read due to a scratch, etc.	Disc	CPPM (*1)		
F632	CPPM-KEY-DET is not usable.	CPPM-KEY-DET is revoked or falsified.	Disc	EEPROM (IC6221)	CPPM (*1)	
	Disc code					
F103	Illegal highlight position	It is highly possible that disc code is violated when displaying the highlight.	Disc			
	IIC error					
F4FF	Forcible initialization failure (time-out)		EEPROM (IC6221)	CPU (IC6201)	FEP (IC5201)	ADSC (IC2001)
	Microprocessor error					
F700	MBX overflow	When sending a message back to Disc Manager	Firm bug			
F701	Message command does not end.	Next message was issued before replying to Disc Manager.	Firm bug			
F702	Message command is changed.	The message is changed before replying to Disc Manager.	Firm bug			
F880	Incorrect task number	When a message comes from non-existing task (error stop, firm bug correction required)	Firm bug			
F890	Message transmission is attempted while transmitting to AV task	A message is being transmitted to AV task (error stop, firm bug correction, etc.)	Firm bug			
F891	A message cannot be transmitted to AV task.	Transmission of a message to AV task is started. (error stop, firm bug correction required)	Firm bug			
F893	FROM is falsified.		FROM (IC6301)	CPU (IC6201)		
F894	EEPROM abnormal		EEPROM (IC6221)	Serial communication line		
F8A0	Message command is not correct.	Transmission of a message to AV task is started. (error stop, firm bug correction required)	Firm bug			

OPU : Optical Pick Up, DSC : Digital Servo Controller, FEP : Front End Processor, ODC : Optical Disc Controller, FROM : Flash ROM
*1: CPPM is the copy guard function beforehand written in the disc for protection of copyrights.

6. エラーコード

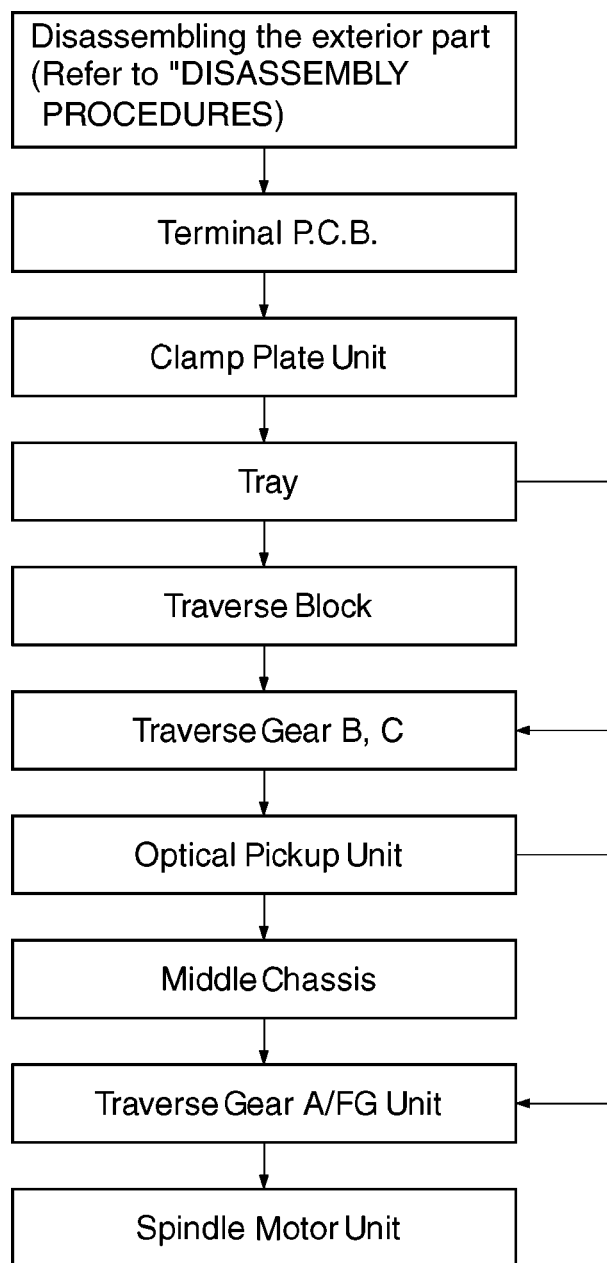
	エラー内容	エラー補足説明	不良箇所1	不良箇所2	不良箇所3	不良箇所4
	U, Hエラー					
U11	フォーカスエラー					
H01	トレイローディングエラー					
H02	スピンドルサーボエラー	(スピンドルサーボ、DSC SPモータ、CLVサーボエラー)				
H03	トラバースサーボエラー					
H04	トラッキングサーボエラー					
H05	シークエラー					
H06	電源エラー	パネルコントロールとシステムコントロール通信エラーで電源OFFできない				
	D S C 関連					
F500	DSCエラー	サーボエラー発生でDSC停止 (立上げ、フォーカスエラー等)	OPU	ADSC (IC2001)	FEP (IC5201)	サーボドライブ
F501	DSC not Ready	DSC-システムコントロール通信エラー (DSCが動かないため通信できない)	ADSC (IC2001)	CPU (IC6201)		
F502	DSC Time Outエラー	F500と同じ扱い	OPU	ADSC (IC2001)	FEP (IC5201)	サーボドライブ
F503	DSCコミュニケーションFailure	通信エラー (通信コマンドを送信したが結果エラー発生)	ADSC (IC2001)	FEP (IC5201)	EEPROM (IC6221)	
F505	DSC Attention Error	F500と同じ扱い	OPU	ADSC (IC2001)	FEP (IC5201)	サーボドライブ
F506	無効なメディア	ディスクが裏表、TOCが読めない、使用可能対象外ディスク	ディスク	FEP (IC5201)	ADSC (IC2001)	ODC (IC2001)
	ODC関連					
F600	復調エラーによる管理情報取得不能	復調系の不具合によりナビゲーションデータが取得できないため動作停止	ODC (IC2001)	FEP (IC5201)	ADSC (IC2001)	
F601	不定なセクタIDが要求された	異常なIDデータのアクセス要求により動作停止	ODC (IC2001)	FEP (IC5201)	ADSC (IC2001)	
F602	復調エラーによるLEAD-IN取得不能	LEAD INデータが読めない				
F603	復調エラーによりKEY DET取得不能	ディスクのCSSデータが取得できない				
F610	ODC異常	コマンド発行許可が出ない	ODC (IC2001)			
F611	6626 QCODE don't read Error	CD系でシークアドレスが取得できない	ODC (IC2001)			
F612	一定時間CRC OKが出ない	DVD系でIDデータが取得できない	ODC (IC2001)			
F630	KEY DET問合せに対する非応答	(内部使用のみ)				
F631	FILE終端までCPPM KEY DETが不可	CPPMファイルシステムがキズ等により読めない	ディスク	CPPM (*1)		
F632	CPPM-KEY-DETが不可	リボークあるいは改ざんされている	ディスク	EEPROM (IC6221)	CPPM (*1)	
	ディスクコード					
F103	Illegal highlight Position	ハイライト表示時 ディスク規格違反の可能性大	ディスク			
	I I C エラー					
F4FF	強制イニシャライズ失敗 (タイムアウト)		EEPROM (IC6221)	CPU (IC6201)	FEP (IC5201)	ADSC (IC2001)
	マイコンエラー					
F700	MBX overflow	Disc Managerへメッセージ返信時	ファームバグ			
F701	メッセージコマンド終了しない	Disc Managerに返事を返す前に次のメッセージが発行された	ファームバグ			
F702	メッセージコマンド変化	Disc Managerに返事を返す前にそのメッセージが変更された	ファームバグ			
F880	タスク番号が適切でない	存在しないタスクからメッセージがきたとき (エラー停止、ファームバグ修正要)	ファームバグ			
F890	AVタスクへ送信中にメッセージを送信しようとした	AVタスクへメッセージ送信中 (エラー停止、ファームバグ修正要)	ファームバグ			
F891	AVタスクへのメッセージ送信ができなかった	AVタスクへメッセージ送信開始 (エラー停止、ファームバグ修正要)	ファームバグ			
F893	FROM改ざん		FROM (IC6301)	CPU (IC6201)		
F894	EEPROM異常		EEPROM (IC6221)	シリアル通信ライン		
F8A0	メッセージコマンドが適切でない	AVタスクへメッセージ送信開始 (エラー停止、ファームバグ修正要)	ファームバグ			

OPU : Optical Pick Up, DSC : Digital Servo Controller, FEP : Front End Processor, ODC : Optical Disc Controller, FROM : Flash ROM
*1: CPPMは著作権保護のためにあらかじめディスクに書き込まれたコピーガード機能です。

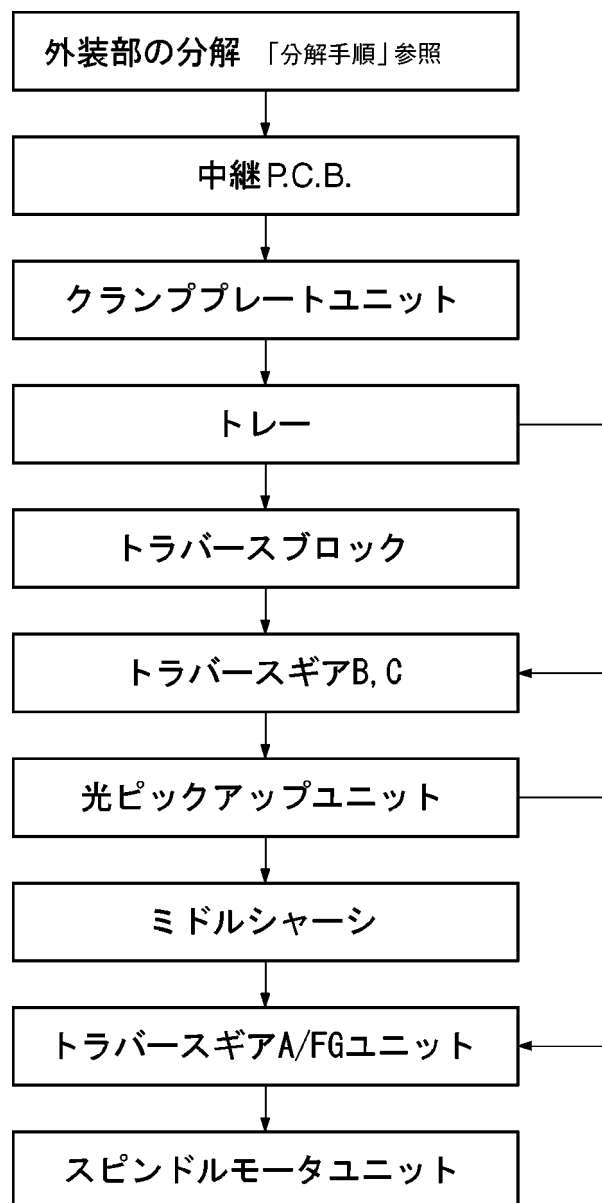
■ ASSEMBLING AND DISASSEMBLING THE MECHANISM UNIT

メカニズムユニットの分解組立

1. Disassembly Procedure



1. 分解手順

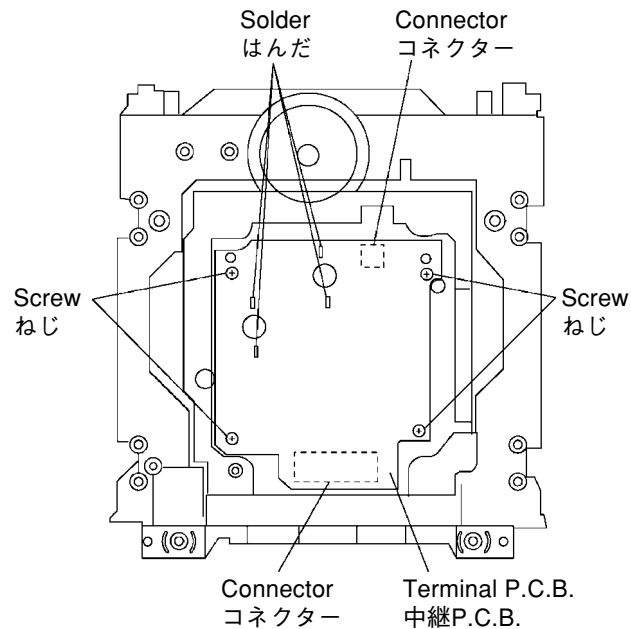


2. Terminal P.C.B.

1. Remove the screws.
2. Remove the solder from the motor connections.
3. Remove the connectors.

2. 中継P.C.B.

1. ねじを外す。
2. はんだを取り除く。
3. コネクターを外す。



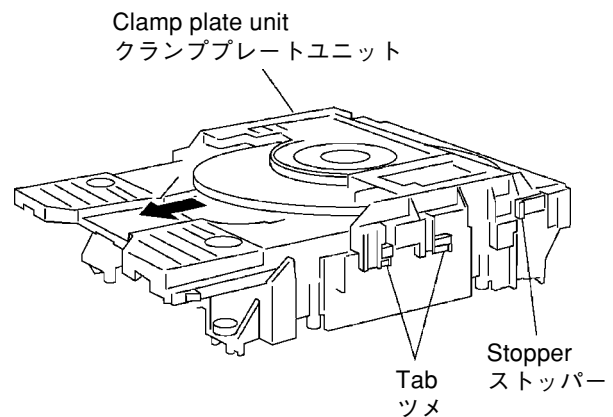
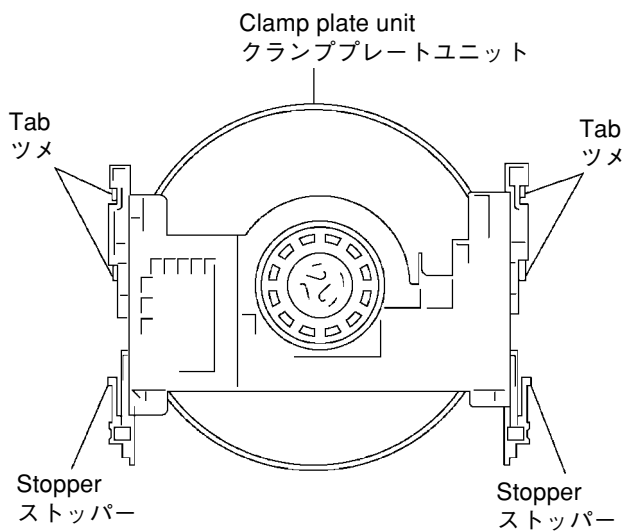
<Mechanism unit bottom>
<メカニズムユニット底部>

3. Clamp Plate Unit

Spread the stopper with hand to slide the tabs and remove the clamp plate unit.

3. クランププレートユニット

ストッパーを手で広げながらツメをスライドさせ、クランププレートユニットを外す。

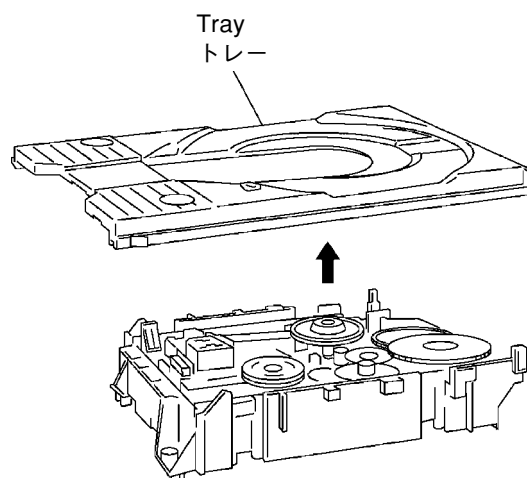


4. Tray

Lift the tray.

4. トレー

トレーを持ち上げる。

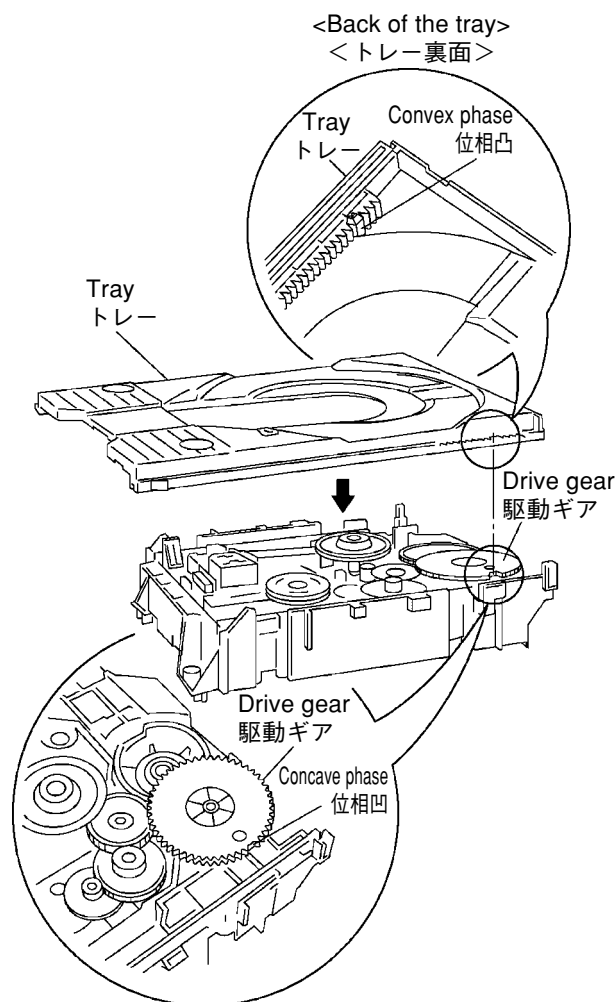
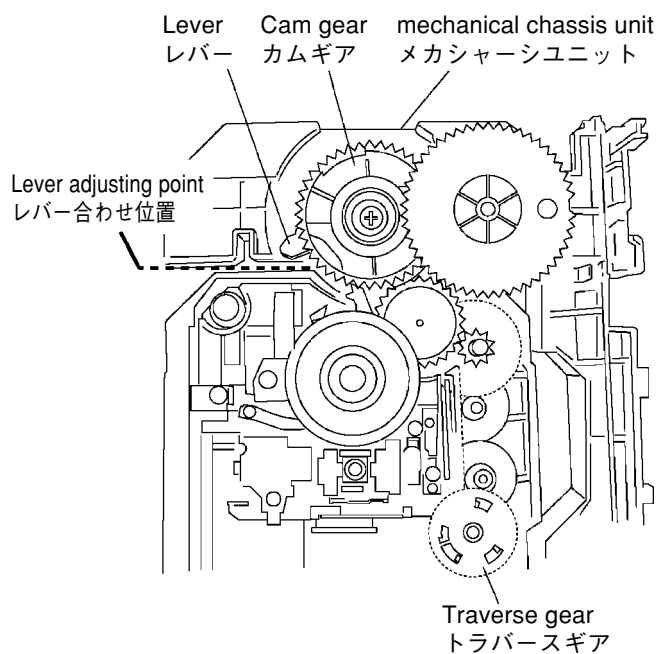


<Precautions in Reassembling the Tray>

- Reassemble the tray so that it is in the backmost position.
1. Turn traverse gear until cam gear lever comes to the lever adjusting position at the end of the mechanical chassis unit.
 2. Check the position of convex phase on back of the tray, and that of concave phase on drive gear.

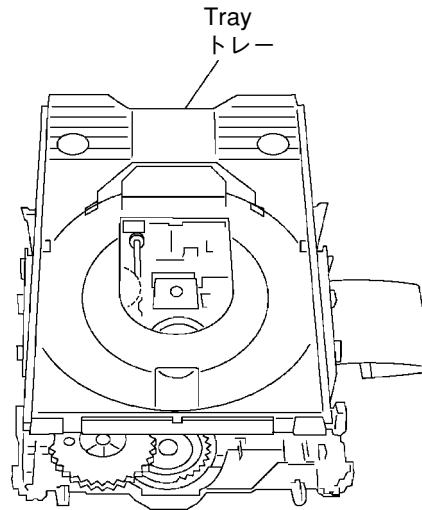
<トレー組立ての注意点>

- トレーが最後端位置になるように組立てる。
1. カムギアのレバーの位置とメカシャーシユニットのレバー合わせ位置(メカシャーシユニットの端)が合うようにトラバースギアを回転させる。
 2. トレー裏面の位相凸と駆動ギアの位相凹の位置を確認する。



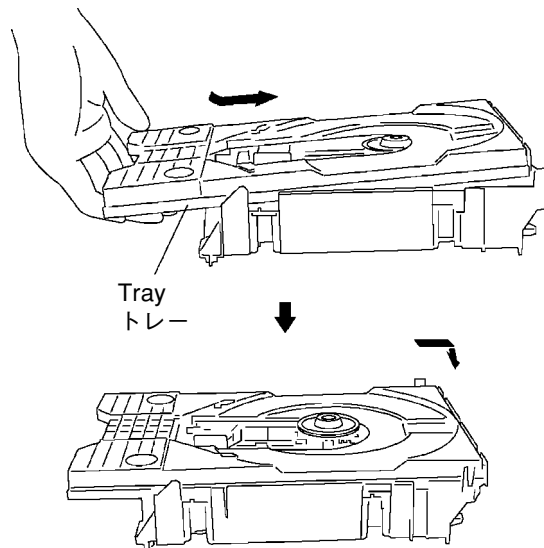
a. Place the tray on the unit from rearward.

a. トレーを奥よりかぶせる。



b. Inch the tray forward until convex phase and concave phase mate.

b. トレーを手前へ少しずつ押し、位相凸と位相凹を合わせる。

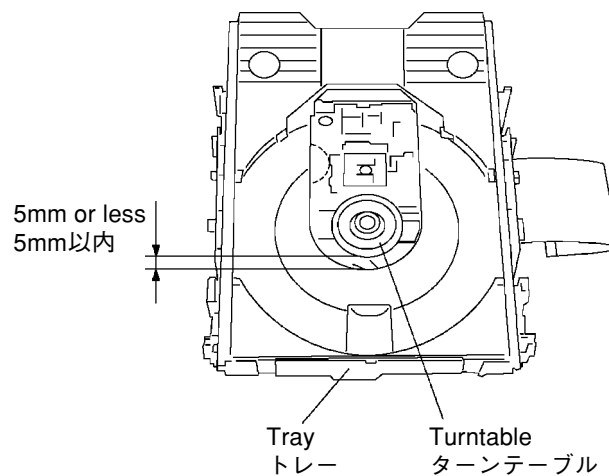


Caution:

Make sure to mate convex phase and concave phase properly, so that the gap between turntable and tray becomes 5mm or less.

注意：

ターンテーブルとトレーのすき間が5mm以内になるように位相凸と位相凹を合わせる。

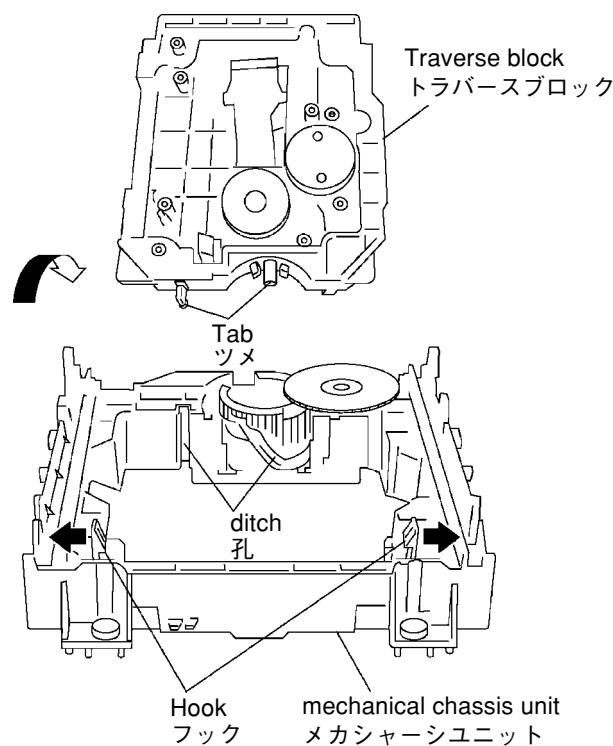


5. Traverse Block

1. Lift the traverse block while spreading the hook of the mechanical chassis unit.
2. Disengage the tabs from the holes of the mechanical chassis unit.

<Precautions in Reassembling the Traverse Block>

- Take the following precautions when reassembling the traverse block.
1. Turn traverse gear on the traverse block to let trigger lever turn rightward.
 2. Bring cam gear lever to the lever adjusting position at the end of mechanical chassis unit.
 3. Put tabs A and B into slots A and B respectively. Place tabs C into hooks to mount the traverse block on mechanical chassis unit. (Slot A... Mechanical Chassis, Slot B... Cam Gear)

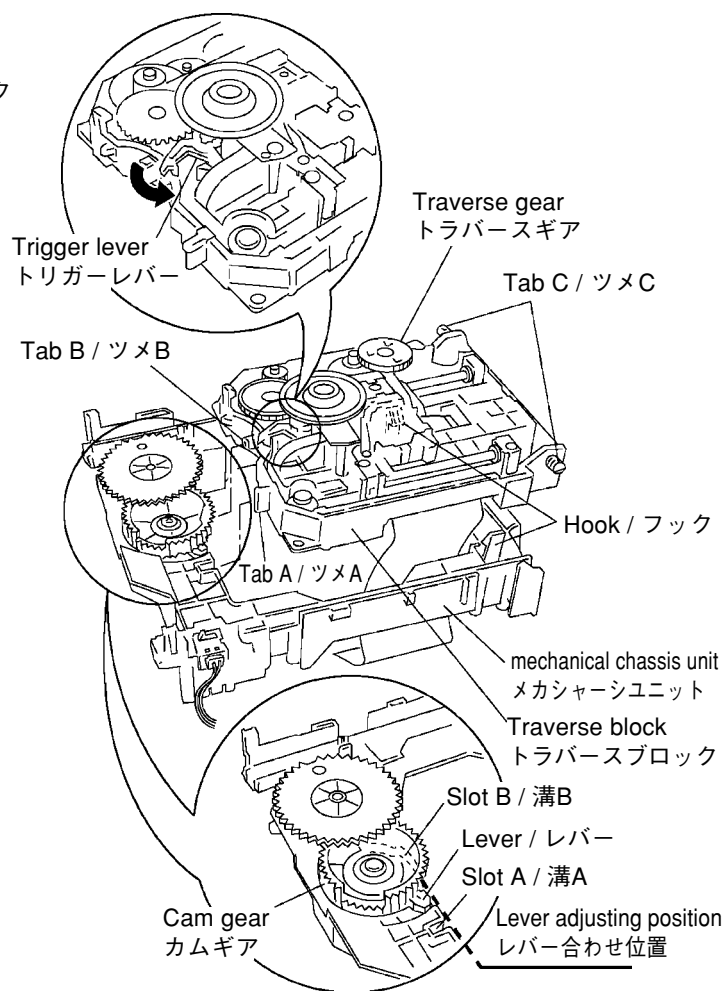


5. トラバースブロック

1. メカシャーシユニットのフックを手で広げながら、トラバースブロックを持ち上げる。
2. ツメをメカシャーシユニットの孔から外す。

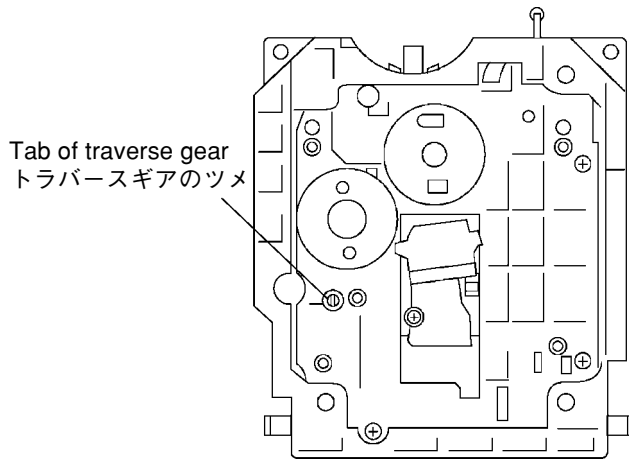
<トラバースブロック組立ての注意点>

- トラバースブロックの組立て時は、下記の点に注意して下さい。
1. トラバースブロックのトラバースギアを動かし、トリガーレバーを右側へ回転させる。
 2. カムギアのレバーの位置とメカシャーシユニットのレバー合わせ位置(メカシャーシユニットの端)を合わせる。
 3. ツメA、Bを溝A、Bへ入れる。
ツメCをフックへはめこみトラバースブロックとメカシャーシユニットを組立てる。



6. Traverse Gear B, C

1. Disengage the tabs from the traverse gear.
2. Remove the traverse gears B and C.

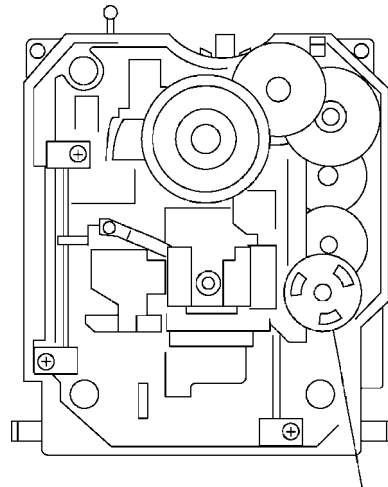


Tab of traverse gear
トラバースギアの実

<Traverse block bottom>
<トラバースブロック底部>

6. トラバースギアB、C

1. トラバースギアの実を外す。
2. トラバースギアB、Cを外す。



Traverse gears B and C
トラバースギアB、C

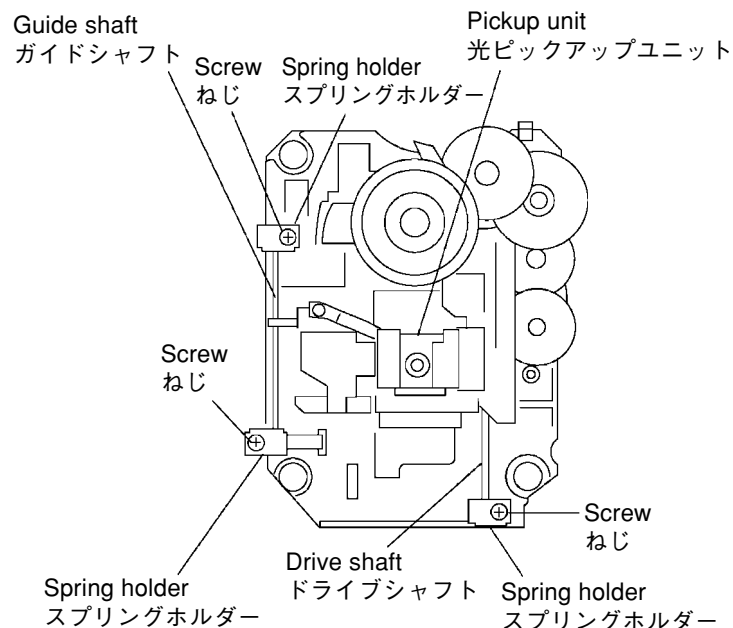
Note: The traverse gear B is under the traverse gear C.
注) トラバースギアBはトラバースギアCの下にあります。

7. Optical Pickup Unit

1. Remove the screws.
2. Remove the spring holders and the springs.
3. Pull out the drive shaft and guide shaft.

7. 光ピックアップユニット

1. ねじを外す。
2. スプリングホルダー、スプリングを外す。
3. ドライブシャフト、ガイドシャフトを引き抜く。



Guide shaft
ガイドシャフト

Pickup unit
光ピックアップユニット

Screw
ねじ

Spring holder
スプリングホルダー

Screw
ねじ

Screw
ねじ

Spring holder
スプリングホルダー

Drive shaft
ドライブシャフト

Spring holder
スプリングホルダー

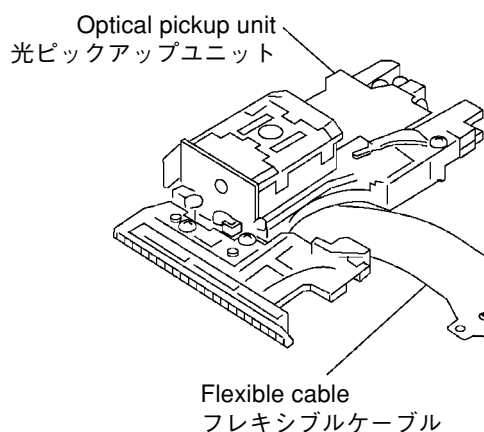
7.1 Precautions in Optical Pickup Replacement

The optical pickup can be damaged by static electricity from your body. Be sure to take static electricity countermeasures when working around the optical pickup. (Refer to the related page in this Manual about the countermeasures.)

1. Do not touch the laser diode, actuator or their associated parts.
2. Do not use a tester to check the laser diode. (Laser diode can be damaged easily.)
3. Use an anti-static soldering iron when adding or removing the laser diode shorting jumper.
4. Solder the land on flexible cable of optical pickup unit.

Caution

- When using the soldering iron without anti-static feature, short-circuit the flexible cable terminal with a clip before short-circuiting the land.
- After completing the repair, remove the solder from the laser diode shorting jumper properly following the procedures described in this Manual.



7.1 光ピックアップ交換時の注意

光ピックアップは体に帯電している静電気等で破壊される場合があります。光ピックアップ周辺を修理する場合は静電気保護対策を行った上で実施してください。(静電気対策についてのページを参照してください。)

1. レーザーダイオード周辺やアクチュエータ周辺はさわらないこと。
2. レーザーダイオードをテスター等で良否判定しないこと。(簡単に破壊されます。)
3. レーザーダイオードのショート・除去に使用する半田ゴテは静電対策されたものを推奨します。(推奨半田ゴテ)HAKKO ESD 対策品
4. 光ピックアップのフレキシブルケーブルにあるランドを半田付けします。

注意

- 静電対策されていない半田ゴテ使用時は、フレキシブルケーブルの端子面をクリップ等でショートしてから、ランドをショートしてください。
- 上記のレーザーダイオードのショートは修理完了後、本文説明順に従い正しい手順でハンダを取り除いてください。

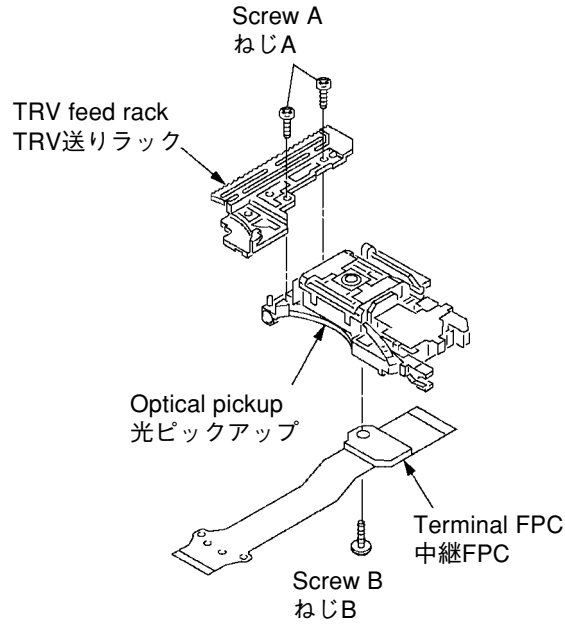
Use a clip or other item to ground the unit.
クリップ等でアースしてください。

7.2 Disassembling the Optical Pickup Unit

1. Remove 2 screws (A) and remove the TRV feed rack.
2. Remove the screw (B) and remove the Terminal FPC.
3. Remove the optical pickup.

7.2 光ピックアップユニットの分解手順

1. ねじA (2本)を外し、TRV送りラックを外す。
2. ねじB (1本)を外し、中継FPCを外す。
3. 光ピックアップを外す。



<Fig. A>

7.3 Cautions to Be Taken When Replacing the Optical Pickup

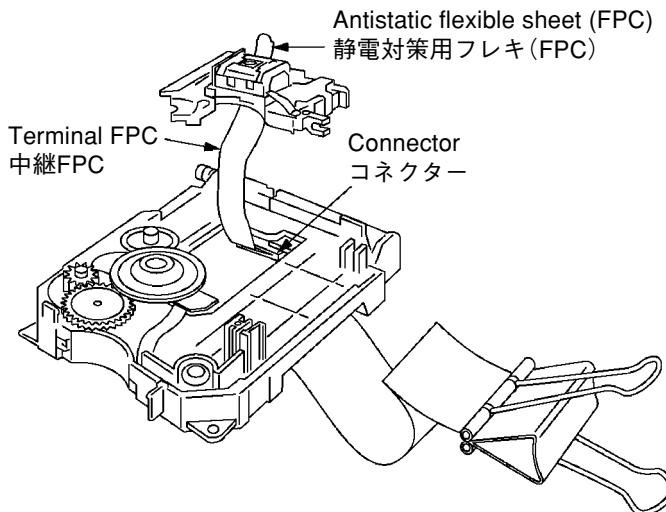
An antistatic flexible sheet (FPC) is connected with the new optical pickup.

1. Install the Terminal FPC, TRV feed rack on the optical pickup. (See Fig. A)
2. Install the Terminal FPC in the connector on the Terminal P.C.B..

7.3 光ピックアップ交換時の注意点

新品の光ピックアップには、静電対策用フレキ (FPC) が接続されています。

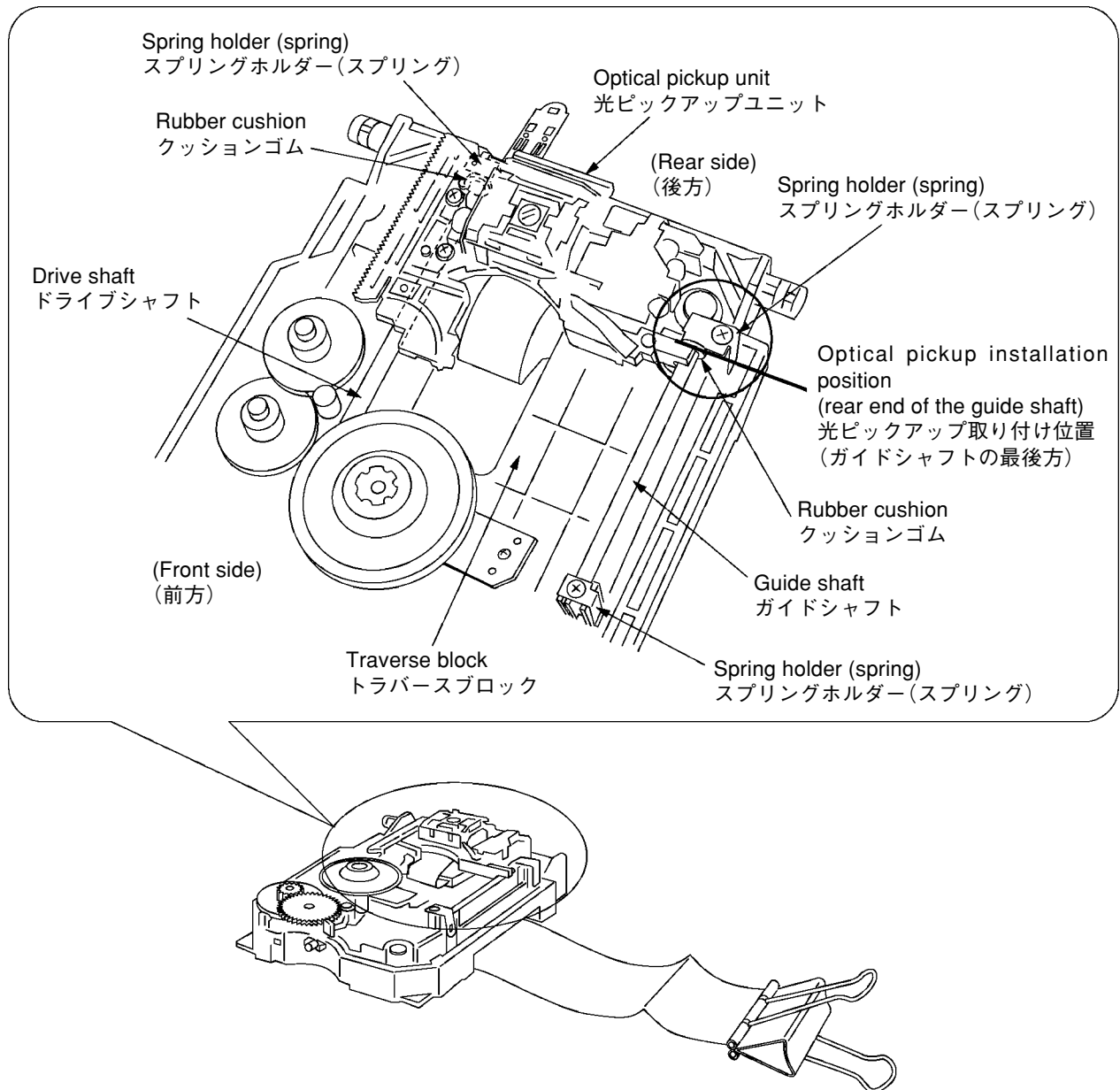
1. 光ピックアップに中継FPC、TRV送りラック、シャフトバネを取り付ける。(Fig. A参照)
2. 中継P.C.B.のコネクターに中継FPCを取り付ける。



Ground the optical pickup with a clip.
クリップ等でアースしてください。

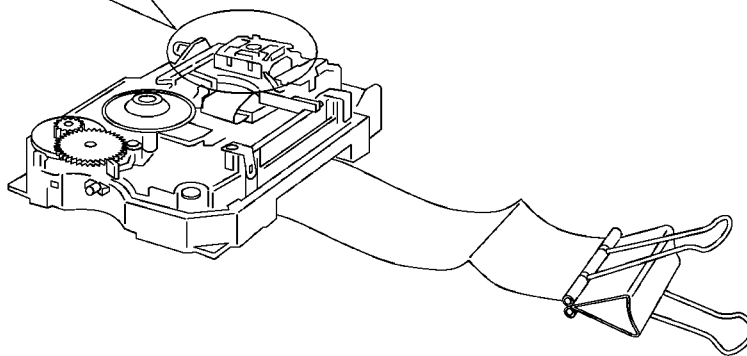
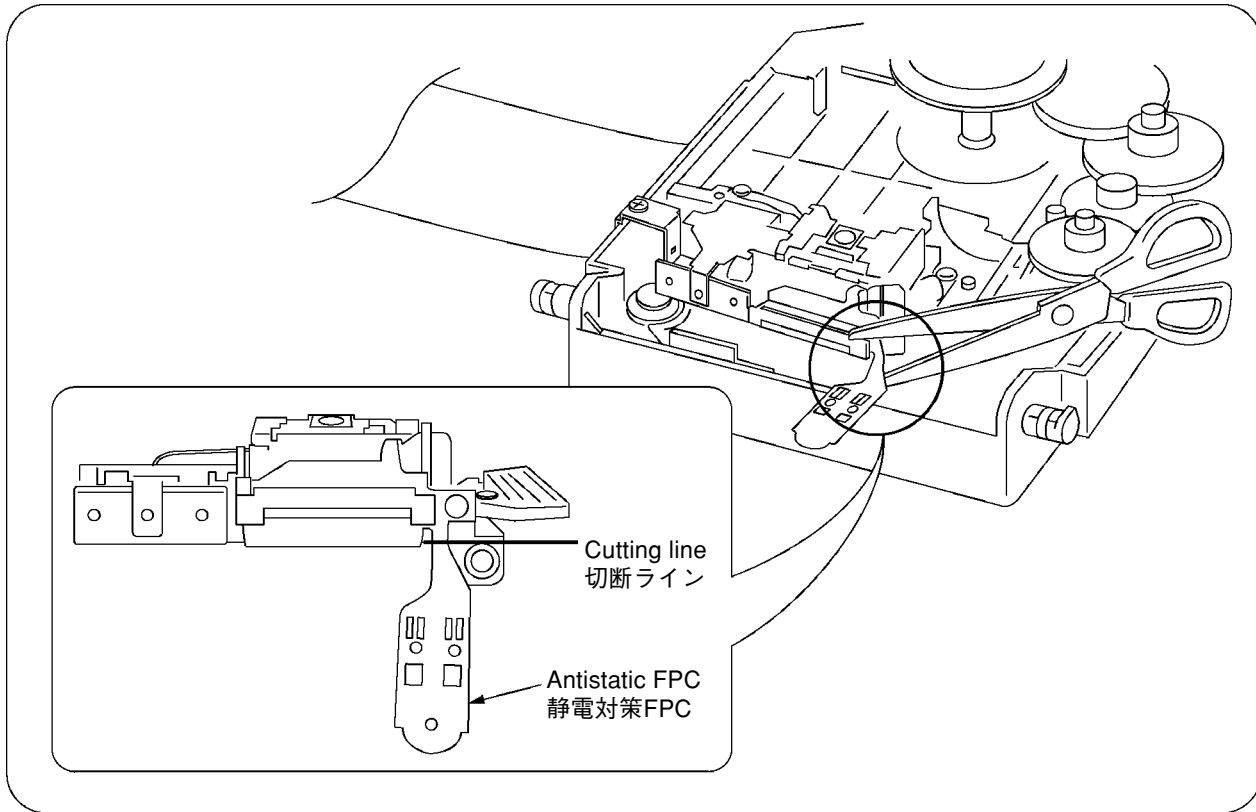
3. Install the optical pickup unit, spring drive shaft, guide shaft, rubber cushion, and spring holder on the traverse block. At this time, make sure that the optical pickup unit is installed at the rear end of the guide shaft.

3. 光ピックアップユニット、スプリング、ドライブシャフト、ガイドシャフト、クッションゴム、スプリングホルダーをトラバースブロックに取り付ける。このとき、光ピックアップユニットは、ガイドシャフトの最後方になるように取り付ける。



4. Cut the antistatic flexible sheet for the optical pickup unit.

4. 光ピックアップの静電対策用フレキを切断する。



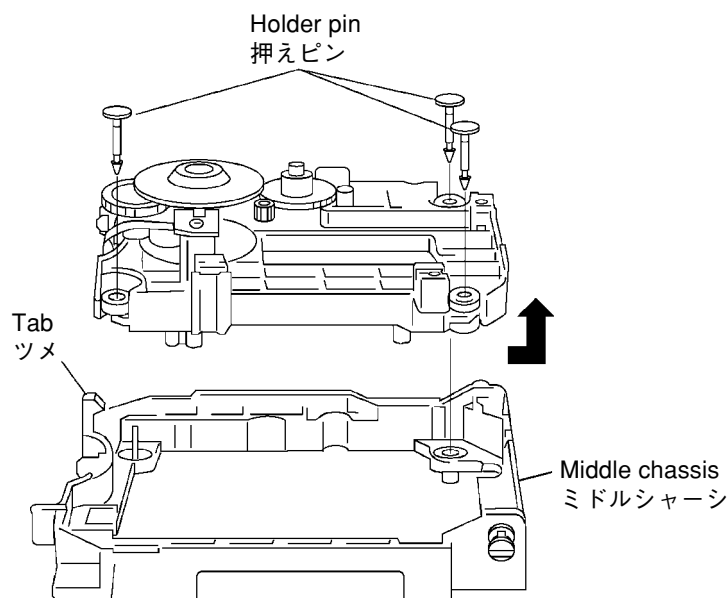
DVD-S2300

8. Disassembling the Middle Chassis

1. Remove the holder pins.
2. Remove the tab.
3. It lifts while pulling it in the direction of the arrow.

8. ミドルシャーシ

1. 押えピンを外す。
2. ツメを外す。
3. 矢印の方向に引きながら持ち上げる。

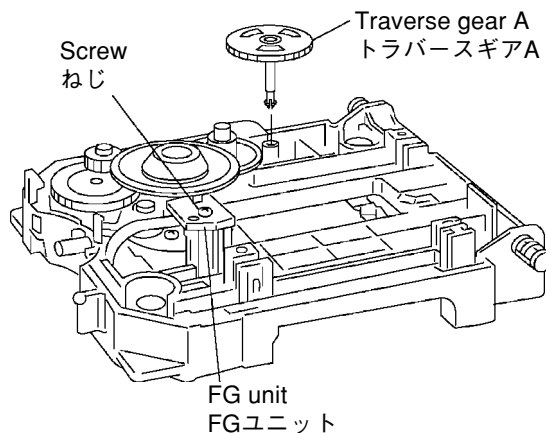


9. Disassembling the Traverse Gear A/FG unit

1. Remove the screw.
2. Remove the traverse gear A.

9. トラバースギアA/FGユニット

1. ねじを外す。
2. トラバースギアAを外す。

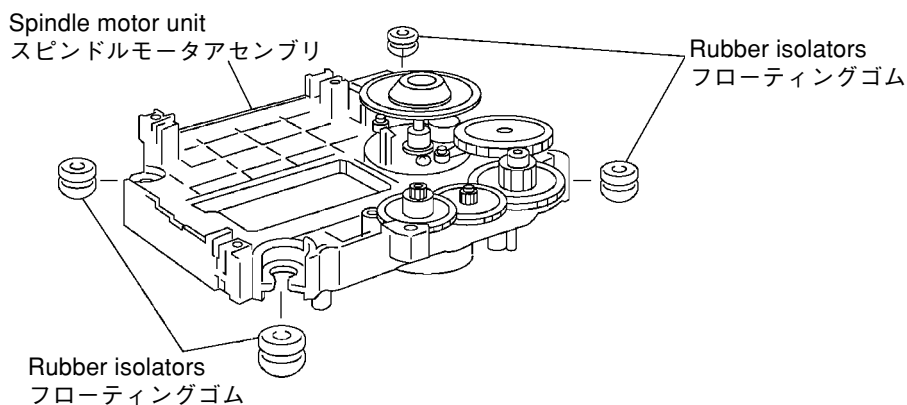


10. Disassembling the Spindle Motor Unit

Remove the rubber isolators.

10. スピンドルモータアセンブリ

フローティングゴムを外す。



■ OPTICAL PICKUP TILT ADJUSTMENT / 光ピックアップあおり調整

Adjustment point	Tangential adjustment screw, Tilt adjustment screw
Mode	T01 (inner periphery) play, T43 (outer periphery) play
Disc	DVDT-S15 (AAX07320) or DVDT-S01
Measuring equipment	None (Use main unit servicing display.)
Adjustment value	Adjust to the minimum jitter value.
Tool	Hex wrench 1.2mm JZS0100 (TX946380)
Screw Lock	RZZOL01 (TX946400)

調整箇所	タンジェンシャル調整ネジ、 チルト調整ネジ
モード	T01 (内周)再生, T43 (外周)再生
ディスク	DVDT-S15 (AAX07320) または DVDT-S01
計測器	なし (本体サービス表示を使用)
調整値	ジッター値が最低になるように 調整します。
ツール	六角レンチ 1.2mm JZS0100 (TX946380)
ネジロック	RZZOL01 (TX946400)

1. Important Points in Optical Pickup Tilt Adjustment

- Before starting optical pickup tilt adjustment, be sure to take anti-static measures.
- Optical pickup tilt adjustment is necessary after replacement of the following components.

1. Optical pickup unit
2. Spindle motor unit
3. Optical pickup peripheral parts (such as the rail)

Notes

Adjustment is generally unnecessary after replacing the other parts of the traverse unit. However, make adjustment if there is a noticeable degradation in picture quality. Optical adjustments cannot be made inside the optical pickup. Adjustment is generally unnecessary after replacing the traverse unit.

2. Adjustment Procedure

1. Press the "SACD/DVD" button to set the DVD mode.
2. While pressing the "□" and "△" buttons on the player, press the "5" button on the remote control unit.
3. Confirm that "J_xxx_yyy_zz" is shown on the front display.

For your information:

"yyy" and "zz" shown to the right have nothing to do with the jitter value. "yyy" is the error counter, while "zz" is the focus drive value.

Note:

Jitter value appears on the front display.

4. Play test disc track01 (inner periphery).
5. Adjust tangential adjustment screw so that the jitter value is minimized.
6. Play test disc track43 (outer periphery).
7. Adjust tilt adjustment screw 1 so that the jitter value is minimized.
8. Play test disc track43 (outer periphery).

1. 光学調整のポイント

- 光学系調整を始める前に静電気保護対策を実施してください。
- 次の部品交換時は光学調整「光ピックあおり調整」が必要です。

1. 光ピックアップ
2. スピンドルモータアセンブリ
3. 光ピックアップ周辺 (レール等)

備考

その他のトラバース内の部品交換は基本的に調整は不要ですが画質劣化が見られる場合は調整してください。光ピックアップ内の光学調整はできません。トラバースユニットを交換した場合は基本的に調整は不要です。

2. 調整方法

1. "SACD/DVD"ボタンを押してDVDモードにします。
2. 本体の"□"ボタンと"△"ボタンを押しながらリモコンの"5"ボタンを押します。
3. フロントのディスプレイの表示に「J_xxx_yyy_zz」と表示されているのを確認します。

参考

右側の「yyy」と「zz」はジッター値とは関係ありません。「yyy」はエラー発生回数をあらわします。「zz」はフォーカス駆動値をあらわします。

注意

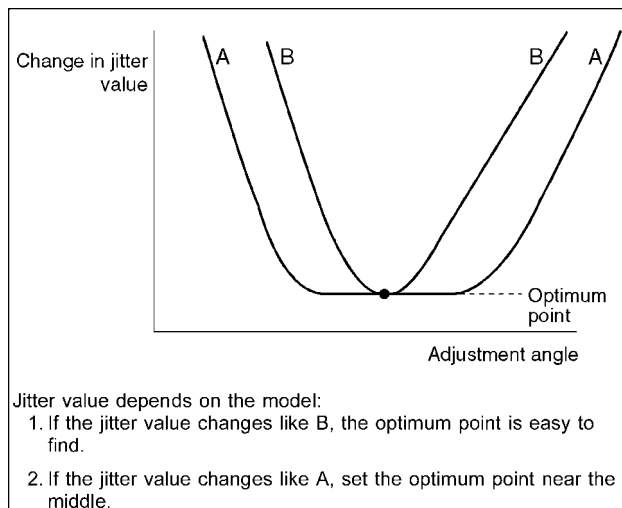
フロントのディスプレイにジッター値が表示されます。

4. テストディスクのtrack01 (内周) を再生します。
5. タンジェンシャル調整ねじを回してジッター値が最低になるように調整します。
6. テストディスクのtrack43 (外周) を再生します。
7. チルト調整ねじ1 を回してジッター値が最低になるように調整します。
8. テストディスクのtrack43 (外周) を再生します。

9. Adjust tilt adjustment screw 2 so that the jitter value is minimized.
10. Repeat adjusting tilt adjustment screws 1 and 2 alternately until the jitter value is minimized.

3. Important Points

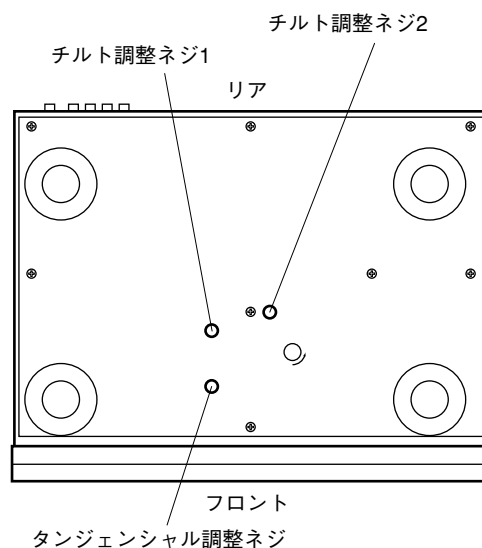
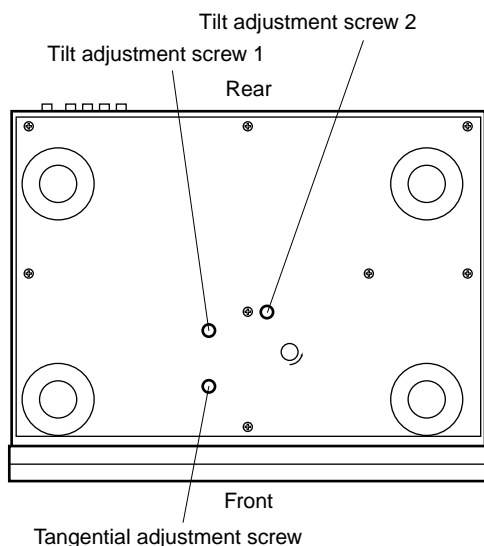
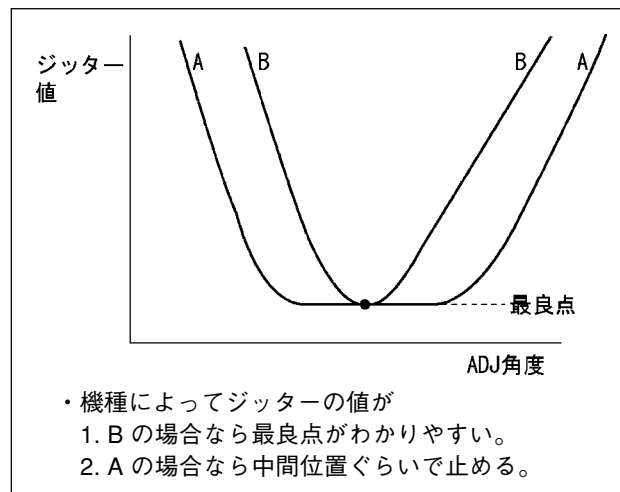
1. Make tangential adjustment first, and then make tilt adjustment.
2. Repeat adjusting two or three times to find the optimum point.
3. Finish the procedure with tilt adjustment.



9. チルト調整ねじ2を回してジッター値が最低になるように調整します。
10. チルト調整ねじ1、2を相互にジッター値が最低になるまで繰り返して調整を行ってください。

3. ポイント

1. タンジェンシャル側を先に調整してからチルト側を調整します。
2. 最良点を見つけるために2、3回繰り返してください。
3. 最後にチルト調整で終わってください。



4. Check after Adjustment

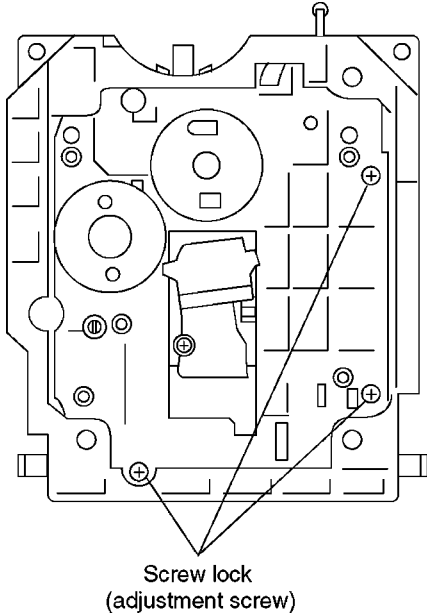
Play a test disc or any other disc to make sure that there is no picture degradation in the inner, middle and outer peripheries, and no audio skipping. After adjustment is finished, lock each adjustment screw in position using screw lock.

4. 調整後の確認

テストディスクや一般のディスクを再生して、内周、中周、外周で画質の劣化や音飛びなどが無いことを確認してください。調整終了後はネジロックを行ない調整ねじを固定します。

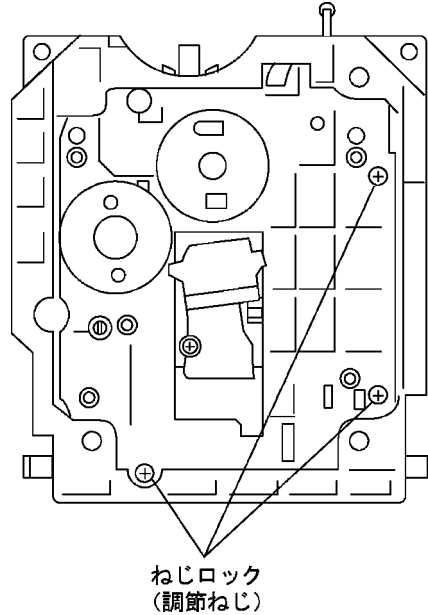
5. Procedure for Screw Lock

1. After adjustment, remove the top cover, tray, clamper base and traverse unit in this sequence.
2. Lay the traverse unit upside down and lock the adjustment screw with screw lock.
3. After locking, reassemble the traverse unit, clamper base, tray and top cover.



5. ネジロックの方法

1. 調整終了後、トップカバー、トレー、クランパーベースユニット、トラバースユニットを順番に分解します。
2. トラバースユニットを裏返してネジロックで調整ねじを固定します。
3. 固定後、トラバースユニット、クランパーベースユニット、トレー、トップカバーを組み立てます。



■ ELECTRICAL CONFIRMATION / 電気確認

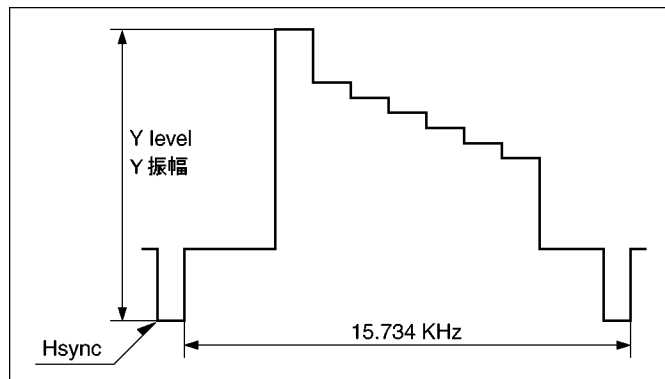
1. Video Output (Luminance Signal) Confirmation

1. ビデオ出力(輝度信号)の確認

Measurement point / 測定点	Mode / モード	Disc / ディスク
S-Video output terminal (Y OUT) S端子(Y OUT)	PLAY	DVDT-S15 (Title 10), DVDT-S01 (Title 48) Color bar 100% / 100%カラーバー信号
Measuring equipment, tools / 計測器	Confirmation value / 確認値	
Screwdriver, Oscilloscope ドライバー、オシロスコープ 200mV/div 10μsec/div	1.0 Vp-p ± 20mV	

- Purpose: To maintain video signal output compatibility.
1. Connect the oscilloscope to the S-video output Y terminal and terminate at 75 ohms.
 2. Confirm that the Y level is 1.0 Vp-p ± 20 mV.

- 目的：映像信号出力の互換性を保つため
1. S端子(Y OUT)を75Ωで終端し、オシロスコープに入力する。
 2. Y振幅が1.0Vp-p±20mVであることを確認する。



2. Video Output (Chrominance Signal) Confirmation

2. ビデオ出力(クロマ信号)の確認

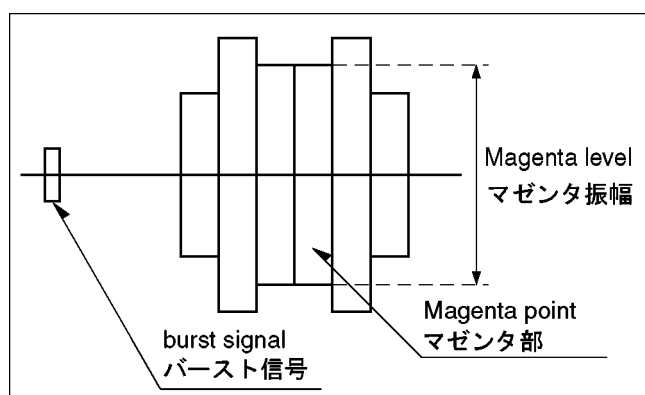
Measurement point / 測定点	Mode / モード	Disc / ディスク
S-Video output terminal (C OUT) S 端子(C OUT)	PLAY	DVDT-S15 (Title 10), DVDT-S01 (Title 48) Color bar 100% / 100%カラーバー信号
Measuring equipment, tools / 計測器	Adjustment value / 確認値	
Screwdriver, Oscilloscope ドライバー、オシロスコープ 200mV/div 10 μ sec/div	779 mVp-p \pm 40mV	

Purpose: To maintain video signal output compatibility.

1. Connect the oscilloscope to the S-video output C terminal and terminate at 75 ohms.
2. Confirmation that the Magenta level is 779 mVp-p \pm 40 mV.

目的：映像信号出力の互換性を保つため

1. S 端子(C OUT 1/2)を75 Ω で終端し、オシロスコープに入力する。
2. マゼンタ振幅レベルが779mVp-p \pm 40mVであることを確認する。

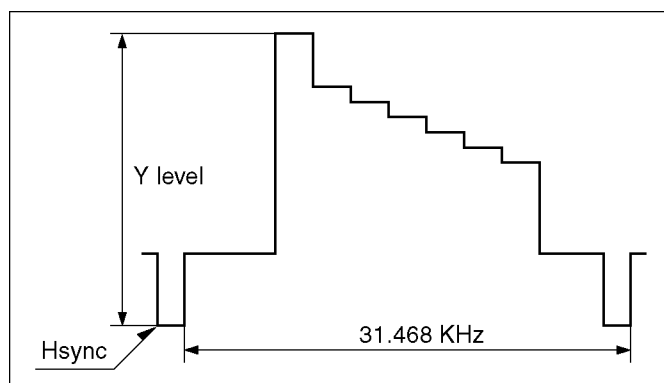


3. Progressive Output Confirmation (U, J models only)

Measurement point	Mode	Disc
Component video output terminal (Y OUT)	PLAY	DVDT-S15 (Title 10), DVDT-S01 (Title 48) Color bar 100%
Measuring equipment, tools	Confirmation value	
Screwdriver, Oscilloscope 200mV/div 10 μ sec/div	1.0 Vp-p \pm 20mV	

Purpose : To maintain video signal output compatibility.

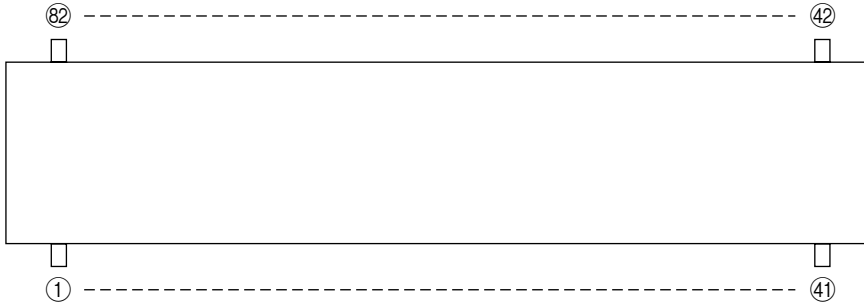
1. Connect the oscilloscope to the component video output Y terminal and terminate at 75 ohms.
2. Press the "PROGRESSIVE" button on the remote control unit. The main unit is in the "PROGRESSIVE" output mode and the front panel indicator lights.
3. Confirm that the Y level is 1.0 Vp-p \pm 20 mV.



■ DISPLAY DATA

V701: 14-BT-77GN (V9910400)

● LEAD DETAILS

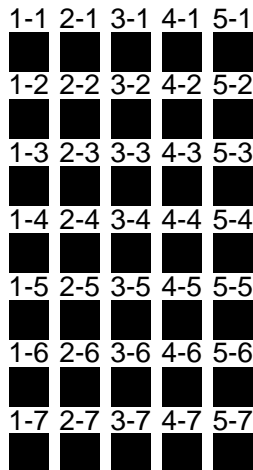
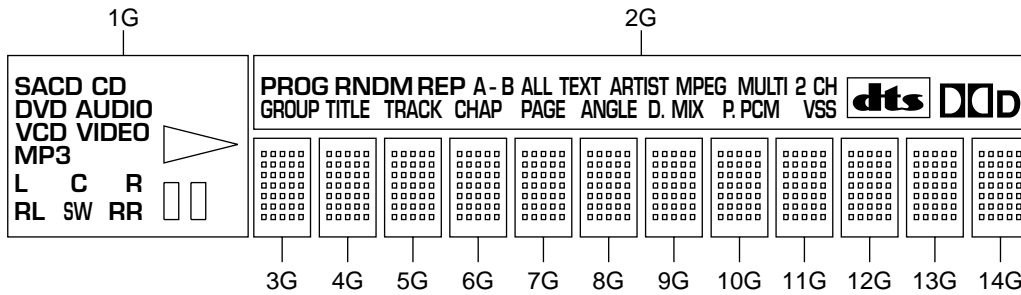


● PIN CONNECTION

Pin No.	1	2	3	4	5	6	7	8	9	10	11	12	13	14	15	16	17	18	19	20	21	22	23	24	25	26	27	28	29	30	31	32	33	34	35	36	37	38	39	40	41
Connection	F1	F1	NP	NP	P23	P22	P21	P20	P19	P18	P17	P16	P15	P14	P13	P12	P11	P10	NX	NX	NX	NX	NX	NX	NX	NX	NX	P9	P8	P7	P6	P5	P4	P3	P2	P1	IC	NP	NP	F2	F2
Pin No.	42	43	44	45	46	47	48	49	50	51	52	53	54	55	56	57	58	59	60	61	62	63	64	65	66	67	68	69	70	71	72	73	74	75	76	77	78	79	80	81	82
Connection	F2	F2	NP	NP	IC	IG	2G	3G	4G	5G	6G	7G	8G	9G	10G	11G	12G	NX	NX	NX	NX	NX	13G	14G	P35	P34	P33	P32	P31	P30	P29	P28	P27	P26	P25	P24	NP	NP	F1	F1	

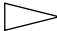



Note : 1) F1, F2 Filament
 2) NP No pin
 3) NX No extend pin
 4) IC Internal connection (IC pin should be electrically open on the PC board)
 5) DL Datum Line
 6) 1G~14G Grid

● GRID ASSIGNMENT



(3G~14G)

● ANODE CONNECTION

	1G	2G	3G
P1	SACD	PROG	1-1
P2	CD	RNDM	2-1
P3	DVD	REP	3-1
P4	AUDIO	A-	4-1
P5	VCD	B	5-1
P6	VIDEO	ALL	1-2
P7	MP3	TEXT	2-2
P8	L	ARTIST	3-2
P9	C	MPEG	4-2
P10	R	MULTI	5-2
P11	RL	2	1-3
P12	SW	CH	2-3
P13	RR	GROUP	3-3
P14		TITLE	4-3
P15		TRACK	5-3
P16	–	CHAP	1-4
P17	–	PAGE	2-4
P18	–	ANGLE	3-4
P19	–	D. MIX	4-4
P20	–	P.	5-4
P21	–	PCM	1-5
P22	–	VSS	2-5
P23	–		3-5
P24	–		4-5
P25	–	–	5-5
P26	–	–	1-6
P27	–	–	2-6
P28	–	–	3-6
P29	–	–	4-6
P30	–	–	5-6
P31	–	–	1-7
P32	–	–	2-7
P33	–	–	3-7
P34	–	–	4-7
P35	–	–	5-7

■ IC DATA

IC40: MN102HF60G (SACD P.C.B.)

PANEL CPU

Pin No.	u-com port	Definition	Direction	Note
1	WAIT	WAIT_SODC	Input	Bus cycle wait input terminal (SACD)
2	NRE	NRD	Output	Read enable output terminal
3	NWEL/P62	NWEL	Output	Lower level byte write enable output terminal
4	NWEH/P63	NWEH	Output	N.C
5	NCS0/P50	TRAY/TRV	Output	TRAY / TRAVESE Select
6	NCS1/P51	/CS_SODC	Output	SODC chip select output terminal
7	NCS2/P52	FL_RESET	Output	FL driver reset
8	NCS3/P53	CS_FLASH	Output	Flash-ROM chip select output terminal
9	P54/NBREQ	TRAY DRV1	Output	TRAY Drive 1 output
10	P55/NBRACK	TRAY DRV2	Output	TRAY Drive 2 output
11	P56	SYSRES	Output	Reset issued to FEP/SODC/DSD decoder
12	NWORD	HFMON	Output	Power control for high frequency superimposed module
		TDO	Output	Data output to rewrite jig when rewriting FLASH
13	A0	A0	Output	Address output terminal
14	A1	A1	Output	Address output terminal
15	A2	A2	Output	Address output terminal
16	A3	A3	Output	Address output terminal
17	VDD	VDD		+3.3V
18	BOSC/P80	TRAY_SW-	Input	Traverse outermost track position detect switch
19	VSS	VSS		GND
20	XI/P81	TRAY_SW+	Input	Traverse innermost track position detect switch
21	XO	XO	Output	N.C
22	VDD	VDD		+3.3V
23	OSCI	OSCI	Input	33.8688MHz Clock input
24	OSCO	OSCO	Output	Clock output
25	MODE	MODE	Input	u-com mode select (H level for current state)
26	A4	A4	Output	Address output terminal
27	A5	A5	Output	Address output terminal
28	A6	A6	Output	Address output terminal
29	A7	A7	Output	Address output terminal
30	A8	A8	Output	Address output terminal
31	A9	A9	Output	Address output terminal
32	A10	A10	Output	Address output terminal
33	A11	A11	Output	Address output terminal
34	AVDD	AVDD		Analog power terminal (3.3V)
35	A12	A12	Output	Address output terminal
36	A13	A13	Output	Address output terminal
37	A14	A14	Output	Address output terminal
38	A15	A15	Output	Address output terminal
39	A16	A16	Output	Address output terminal
40	A17	A17	Output	Address output terminal
41	A18	A18	Output	Address output terminal
42	A19/P43	A19	Output	Address output terminal
43	VREF-	VREF-		Power supply for A/D converter : GND
44	A20/P44/AN4	A20	Output	Address output terminal
45	A21/P45/AN5	A21	Output	Address output terminal
46	A22/P46/AN6	AGC	Output	AGC offset elimination filter select signal (FEP)
47	A23/P46/AN7	SAGCON	Output	SAG cancellation select signal
48	P80/DAC0	RCK	Output	RSK for IC45, 46, 612 (Shift Resister) control
49	P81/DAC1	AMUTE	Output	Audio mute signal
50	P82/DAC2		Output	N.C
51	P83/SBI3	DCFLT	Output	Capacitor select terminal for filter output (FEP)
52	P84/SBO3	M_POWER1	Output	Power control terminal

IC40: MN102HF60G (SACD P.C.B.)
PANEL CPU

Pin No.	u-com port	Definition	Direction	Note
53	P85/SBT3	SCK2	Output	Clock signal output to E2PROM and FI Driver
54	VREF+	VREF+		Power supply for A/D converter : +3.3V
55	P86/SBI4	SI2	Input	Data signal input from E2PROM and FI Driver
56	P87/SBO4	SO2	Output	Date signal output to E2PROM and FI Driver
57	P90	CS_EPR	Output	Chip select output to E2PROM
58	P91	CS_FLD	Output	Chip select output to FL Driver
59	P92	CS_DAC	Output	Chip select output to DAC
60	P93	CS_DSD	Output	Chip select output to DSD Decoder
61	AVSS	P53		GND
62	P94/AN0	PA0	Input	Key input from front panel
63	P95/AN1	PA1	Input	Key input from front panel
64	P96/AN2	PA2	Input	Key input from front panel
65	P97/AN3	PA3	Input	destination Select
66	VDD	VDD		+3.3V
67	P70/SBT0/RAS	DSPCLK	Input	Clock input from DVD-system u-com (MN102H60)
68	P71/SBI0/LCAS	STATUS	Input	DATA input from DVD-system u-com (MN102H60)
69	P72/SBO0/UCAS	CMD	Output	DATA output from DVD-system u-com (MN102H60)
70	P73/SBT1	SCK1	Output	Clock signal output to E2PROM and FI Driver
71	P74/SBI1	SI1	Input	Data signal input from E2PROM and FI Driver
72	P75/SBO1	SO1	Output	Date signal output to E2PROM and FI Driver
73	PULLUP0	TD1	Input	Built-in ROM rewrite data terminal
74	PULLUP1	TCLK	Input	Built-in ROM rewrite clock terminal
75	NNMI	NNMI	Input	Pulled up by 10K Ω
76	PA0/NIRQ0	/IR	Input	Remote control signal input
77	PA1/NIRQ1	MSREADY	Input	DSD decoder communication complete signal input terminal
78	PA2/NIRQ2	ADSCIRQ	Input	ADSC block request signal input
79	PA3/NIRQ3	ODCIRQ	Input	ODC block request signal input
80	PA4/NIRQ4	MODULE_RES	Input	Module board reset signal detect input
81	ADSEP	ADSEP	Input	Address data separate/common select
82	NRST	NSRT	Input	Reset input terminal
83	VDD	VDD		+3.3V
84	D0	D0	I/O	Data input/output terminal
85	D1	D1	I/O	Data input/output terminal
86	D2	D2	I/O	Data input/output terminal
87	D3	D3	I/O	Data input/output terminal
88	D4	D4	I/O	Data input/output terminal
89	D5	D5	I/O	Data input/output terminal
90	D6	D6	I/O	Data input/output terminal
91	D7	D7	I/O	Data input/output terminal
92	VSS	VSS		GND
93	D8	D8	I/O	Data input/output terminal
94	D9	D9	I/O	Data input/output terminal
95	D10	D10	I/O	Data input/output terminal
96	D11	D11	I/O	Data input/output terminal
97	D12	D12	I/O	Data input/output terminal
98	D13	D13	I/O	Data input/output terminal
99	D14	D14	I/O	Data input/output terminal
100	D15	D15	I/O	Data input/output terminal

PIN CONNECTION DIAGRAM

• ICs

<p>74VHC595SJX BA7660FS-E2 M5290FP SN74LV4053APWR TC74HC4053AF</p>	<p>BA5823FM</p>	<p>NJM7909FA</p> <p>3: COM 2: IN 1: OUT</p>	<p>PQ05RD21 PQ09RD11</p>	<p>PQ018EZ01ZP PQ033EZ01ZP</p>	
<p>AT25010 LMH6643MAX NJM4558M-D NJM5532M NJU7015V OPA2134UA/2K5</p>	<p>TC7W53FU TC7W74F TC7WH74FU TC7WU04F TC7WU04FU</p>	<p>μPC4570HA</p>	<p>K4S161622D-TC80</p>	<p>M51951BHP</p> <p>GND VCC OUT</p>	
<p>MM1508</p>	<p>74LCX07MTCX 74VHC00MTCX 74VHC08MTCX 74VHC175MTCX 74VHC595MTCX</p>	<p>74VHCT245AMTCX</p>	<p>NC7SZ125P5X PST596JNR TC7S08F TC7S32F TC7SU04F TS7ST00F TS7ST08F</p>	<p>NJM79L05UA</p> <p>OUT COM IN</p>	<p>ON3131</p>
<p>AD1955ARS</p>	<p>S-808XXANNP</p>	<p>BH7862FS MD1422N MD3221N</p>	<p>MN102H60G</p>		
<p>AN8703FH M66003-0101FP</p>	<p>CXD2753R MN103S26EGA</p>				

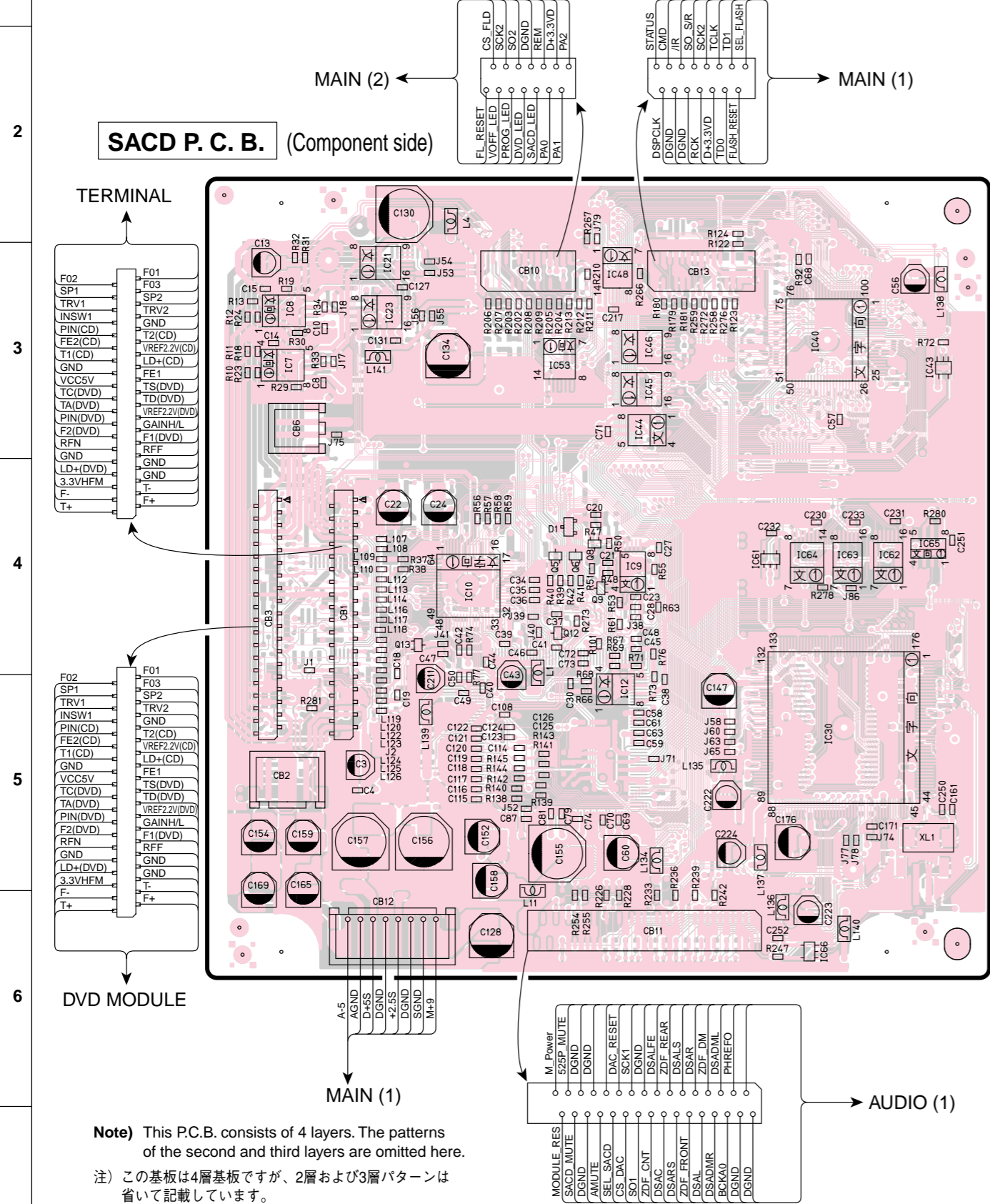
• Diodes

<p>1N4002S HZK3BTR RLZ30.0A</p> <p>Anode Cathode</p>	<p>1SS355 MA2J11100L MA2J72800L MA3X71600L MA716-TX MA8056-M MA8120-M RB051L-40</p> <p>Anode Cathode</p>
<p>S1WB-A-60</p> <p>+</p> <p>-</p>	<p>D4SBS4</p> <p>+</p> <p>-</p>

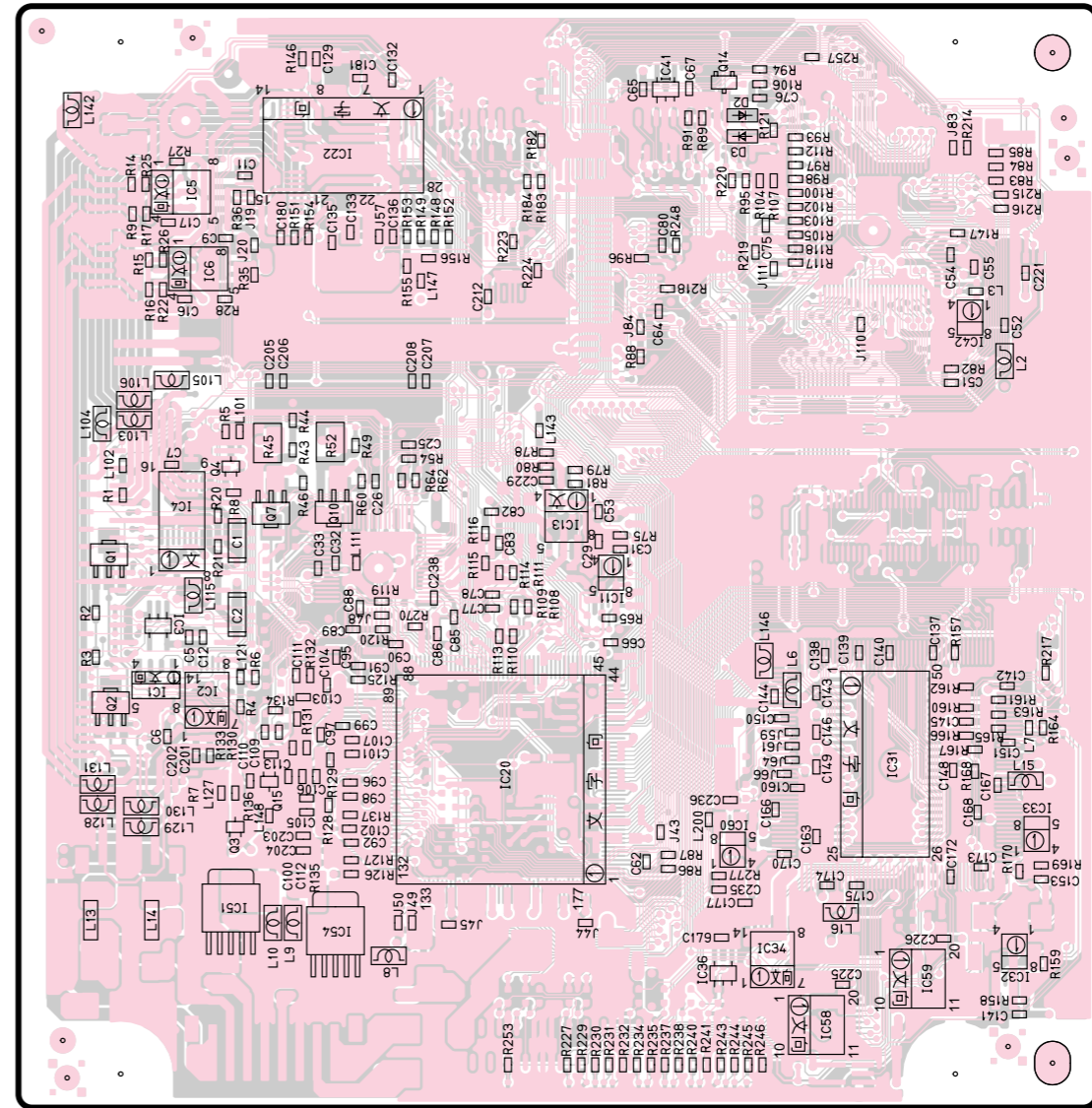
• Transistors

<p>2SB544 2SD400</p> <p>E C B</p>	<p>2SA1037K 2SA15320BL 2SA1532-B 2SB1218A-R 2SC2412K 2SC3930 2SD1819A-R 2SD1938F</p> <p>C E B</p>	<p>2SB1565 2SD2394</p> <p>B C E</p>
<p>2SC4488</p> <p>E C B</p>	<p>2SB1132</p> <p>E C B</p>	

1 ■ PRINTED CIRCUIT BOARD



SACD P.C.B. (Foil side)



• Semiconductor Location

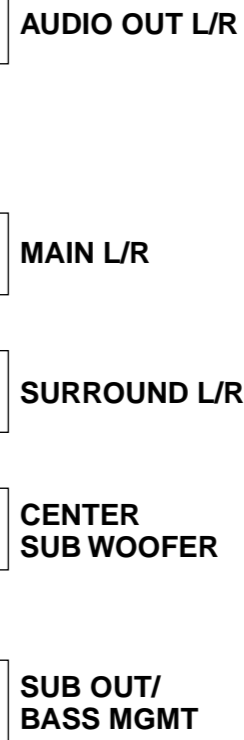
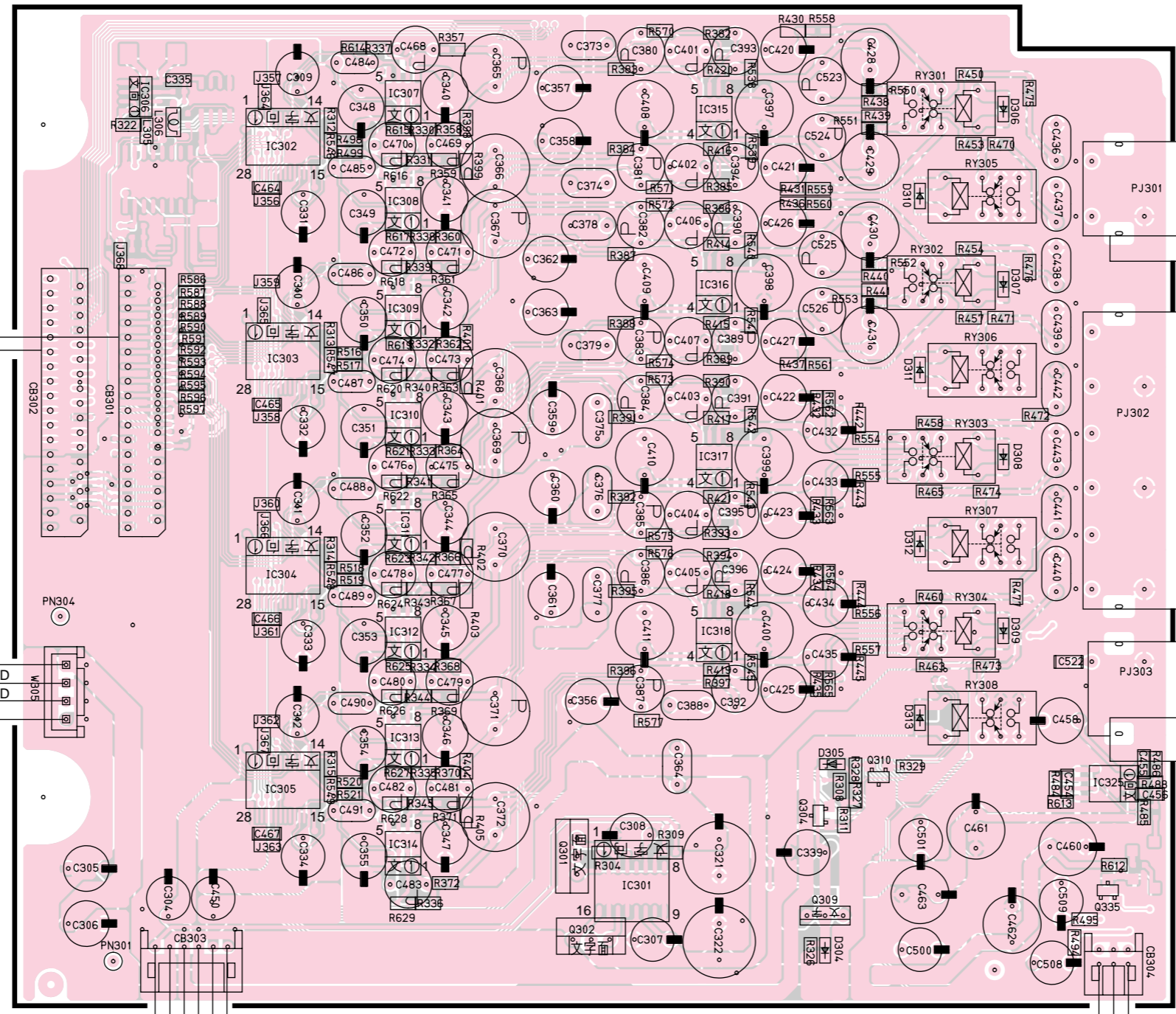
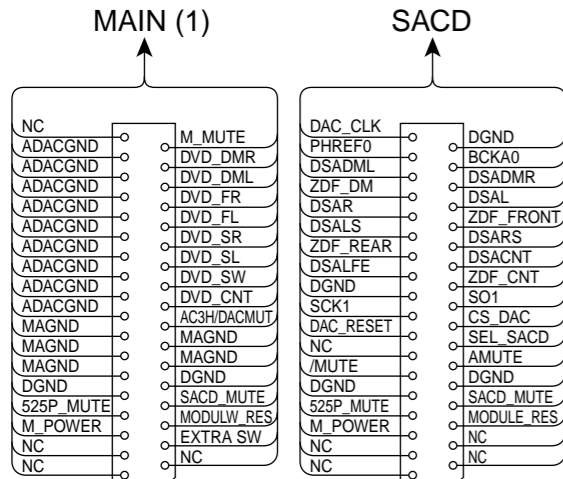
Ref. No.	Location	Ref. No.	Location	Ref. No.	Location	Ref. No.	Location	Ref. No.	Location	Ref. No.	Location
D1	C4	IC9	C4	IC32	I5	IC48	C3	IC65	E4	Q10	G4
D2	H3	IC10	C4	IC33	I5	IC51	F5	IC66	D6	Q12	C4
D3	H3	IC11	H4	IC34	H5	IC53	C3	Q1	F4	Q13	B4
IC1	F4	IC12	C5	IC36	H5	IC54	G5	Q2	F5	Q14	H2
IC2	F4	IC13	G4	IC40	D3	IC58	H6	Q3	F5	Q15	F5
IC3	F4	IC20	G5	IC41	H2	IC59	I5	Q4	F4		
IC4	F4	IC21	B3	IC42	I3	IC60	H5	Q5	C4		
IC5	F3	IC22	G3	IC43	E3	IC61	D4	Q6	C4		
IC6	F3	IC23	B3	IC44	C3	IC62	E4	Q7	F4		
IC7	B3	IC30	D5	IC45	C3	IC63	D4	Q8	C4		
IC8	B3	IC31	H5	IC46	C3	IC64	D4	Q9	C4		

Note) This P.C.B. consists of 4 layers. The patterns of the second and third layers are omitted here.

注) この基板は4層基板ですが、2層および3層パターンは省いて記載しています。

PRINTED CIRCUIT BOARD

AUDIO P. C. B. (1) (Component side)

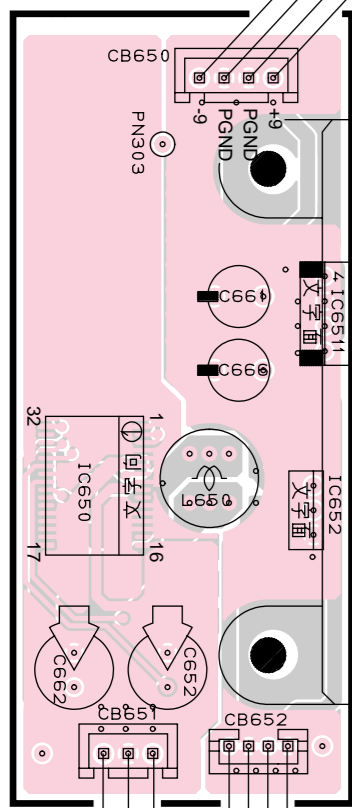


Semiconductor Location

Ref. No.	Location
D304	G6
D305	G5
D306	H2
D307	H3
D308	H4
D309	H4
D310	G3
D311	G3
D312	G4
D313	G5
IC301	F6
IC302	D2
IC303	D3
IC304	D4
IC305	D5
IC306	D2
IC307	E2
IC308	E3
IC309	E3
IC310	E4
IC311	E4
IC312	E5
IC313	E5
IC314	E5
IC315	F2
IC316	F3
IC317	F4
IC318	F5
IC325	H5
IC650	A5
IC651	B4
IC652	B5
Q301	F5
Q302	F6
Q304	G5
Q309	G6
Q310	G4
Q335	H6

AUDIO P. C. B. (2)

(Component side)



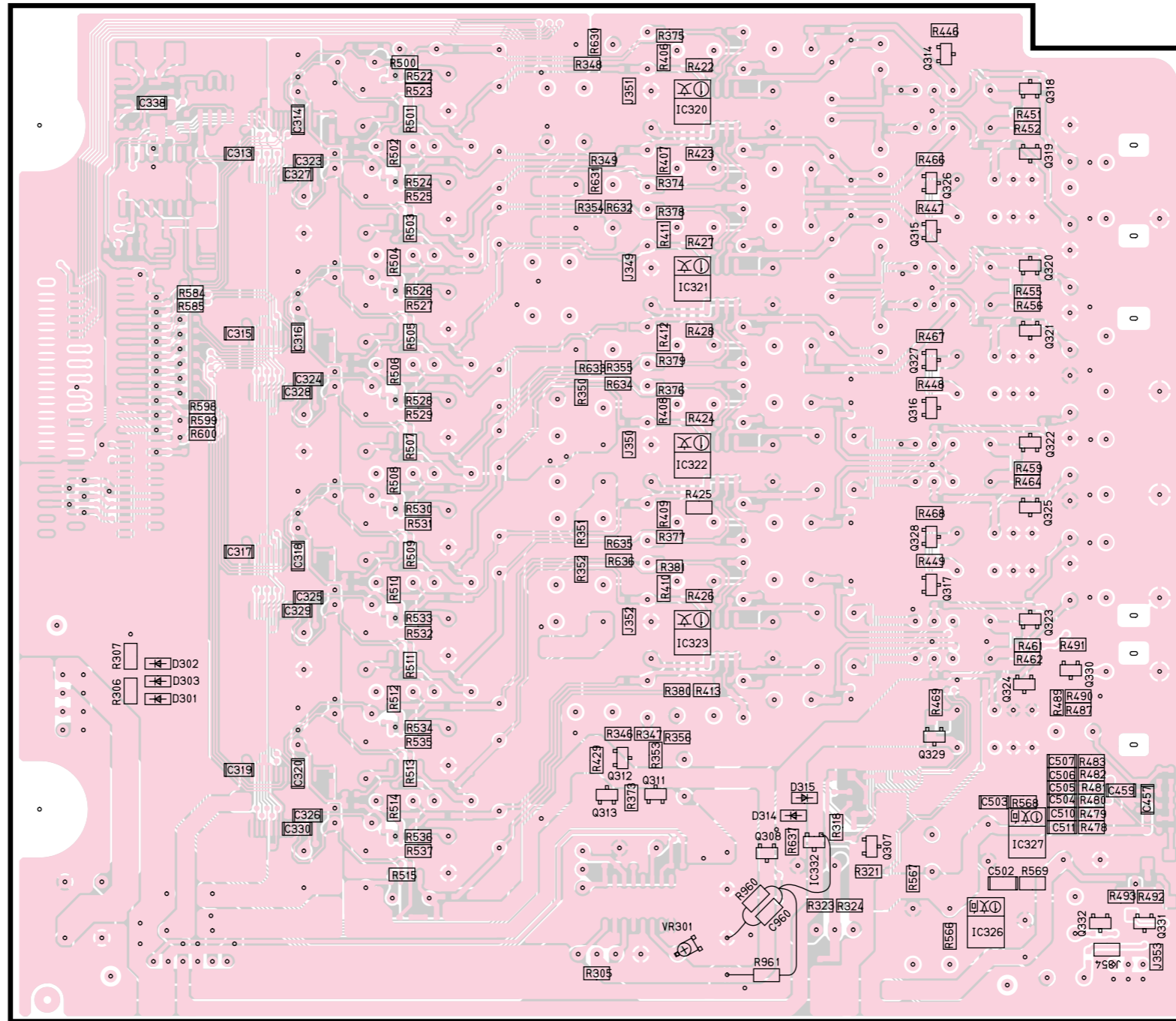
MAIN (1)

MAIN (1)

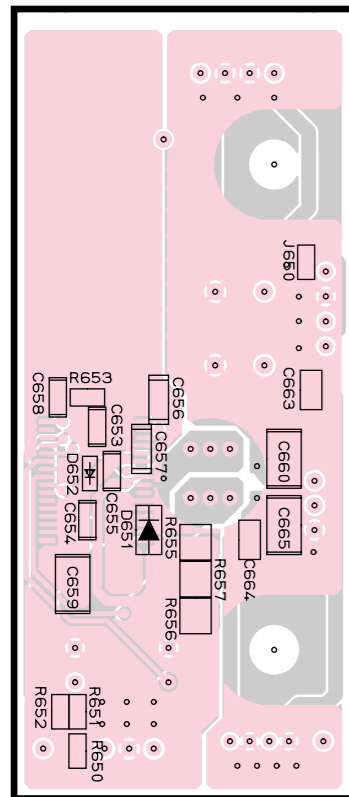
MAIN (1)

1 ■ PRINTED CIRCUIT BOARD

AUDIO P. C. B. (1) (Foil side)



AUDIO P. C. B. (2) (Foil side)

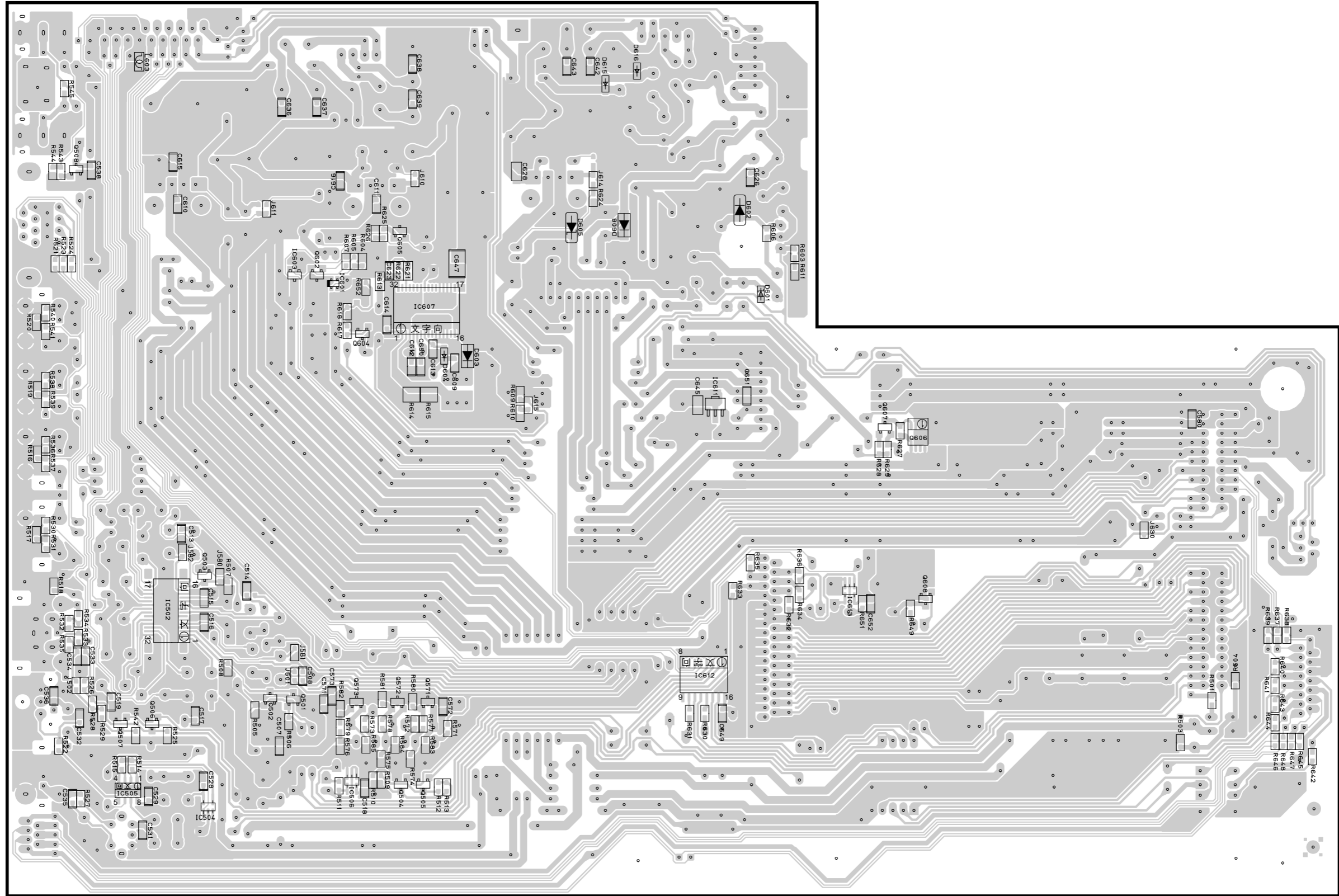


• Semiconductor Location

Ref. No.	Location
D301	D5
D302	D5
D303	D5
D314	F5
D315	F5
D651	A5
D652	A5
IC320	F2
IC321	F3
IC322	F4
IC323	F4
IC326	G6
IC327	G5
IC332	F5
Q307	G5
Q308	F5
Q311	F5
Q312	F5
Q313	F5
Q314	G2
Q315	G3
Q316	G3
Q317	G4
Q318	G2
Q319	G2
Q320	G3
Q321	G3
Q322	G4
Q323	G4
Q324	G5
Q325	G4
Q326	G2
Q327	G3
Q328	G4
Q329	G5
Q330	H5
Q331	H6
Q332	H6

1 ■ PRINTED CIRCUIT BOARD

MAIN P. C. B. (1) (Foil side)



• Semiconductor Location

Ref. No.	Location
D601	F3
D602	F3
D603	D4
D604	D4
D605	E3
D615	E2
D616	E2
IC502	B5
IC504	B7
IC505	B6
IC506	C6
IC601	C3
IC603	C3
IC607	D4
IC611	E4
IC612	E6
IC613	F5
Q501	C6
Q502	C6
Q503	B5
Q504	D6
Q505	D6
Q506	B6
Q507	B6
Q508	B3
Q571	D6
Q572	D6
Q573	C6
Q602	C3
Q604	C4
Q605	D3
Q606	G4
Q607	F4
Q608	G5

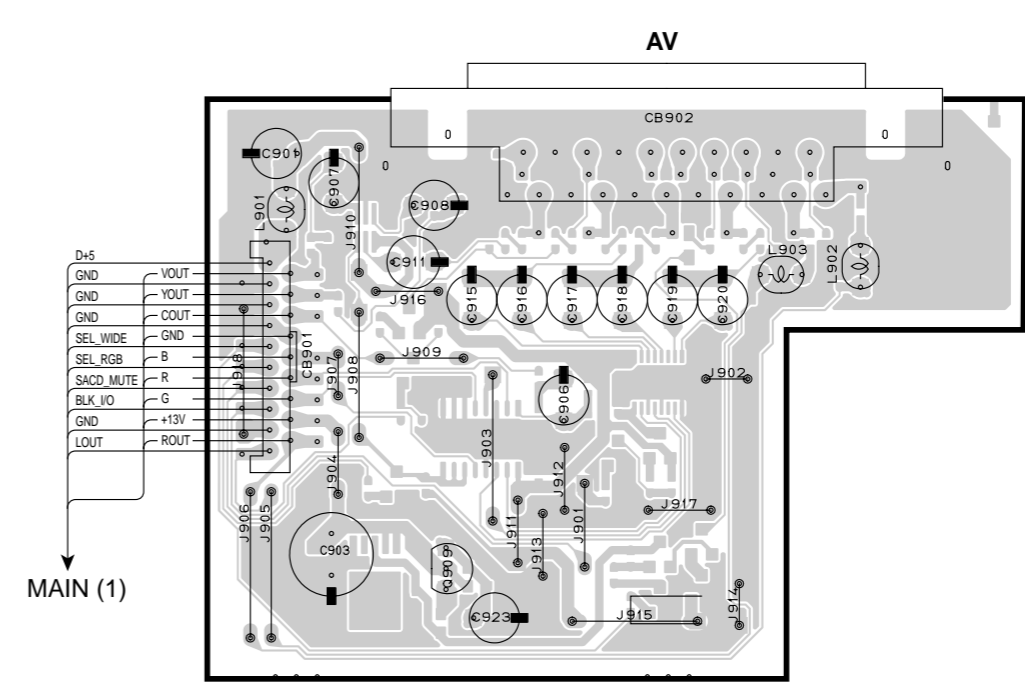
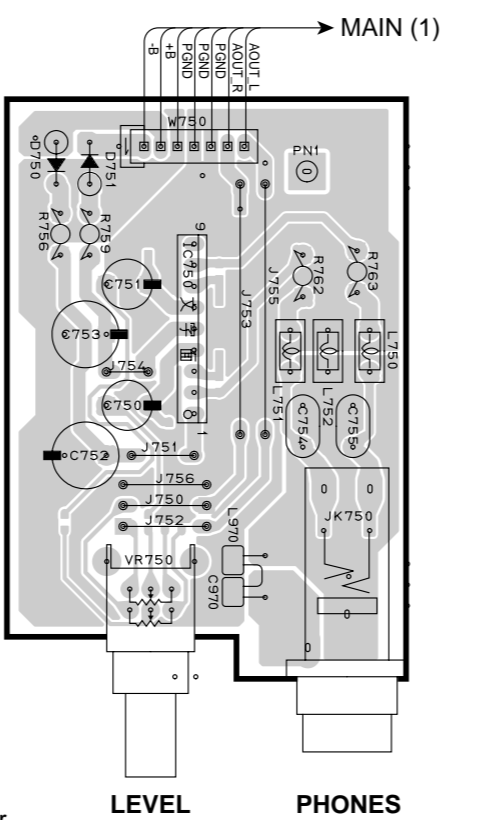
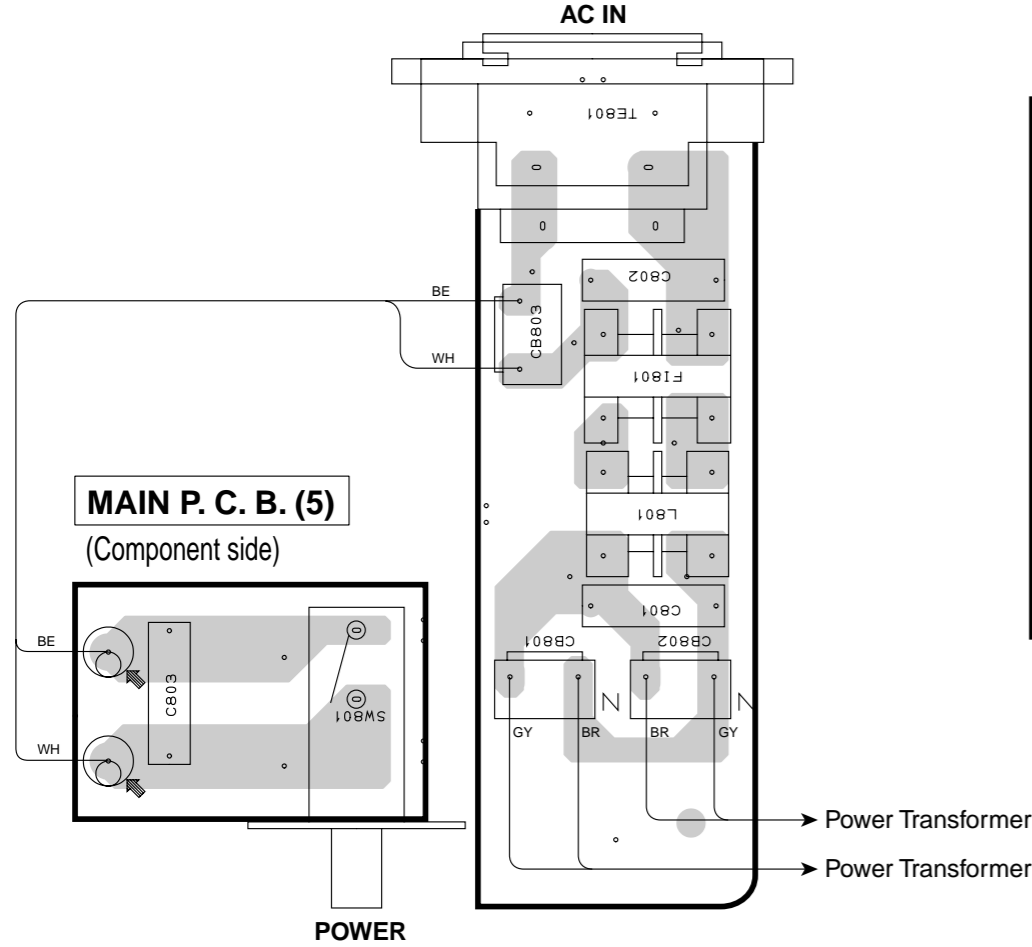
1
2
3
4
5
6
7

PRINTED CIRCUIT BOARD

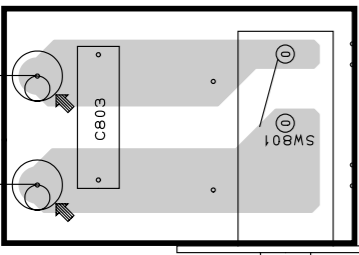
MAIN P. C. B. (4) (Component side)

MAIN P. C. B. (3) (Component side)

MAIN P. C. B. (6) (Component side) (B, G models only)



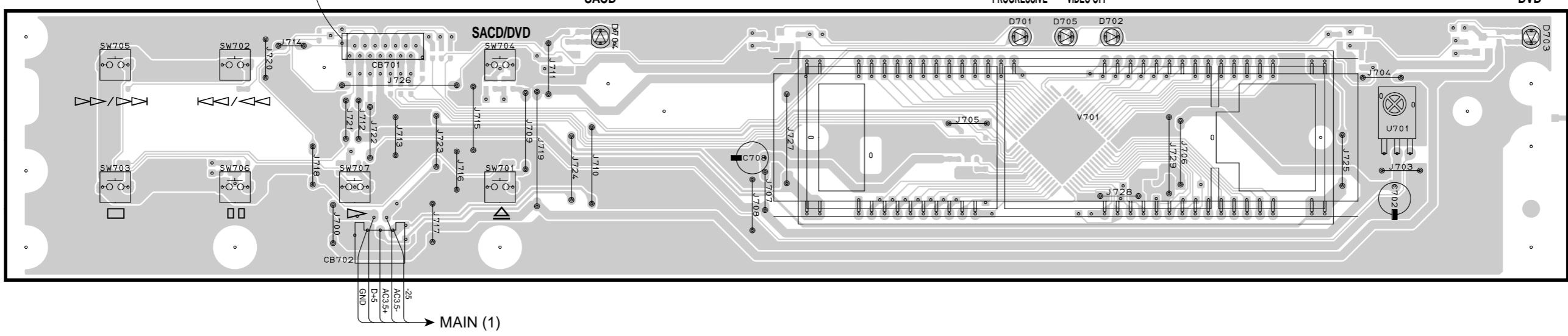
MAIN P. C. B. (5) (Component side)



• Semiconductor Location

Ref. No.	Location
D701	G5
D702	G5
D703	I5
D704	D5
D705	G5
D750	D2
D751	E2
IC750	E2
Q909	H3

MAIN P. C. B. (2) (Component side)

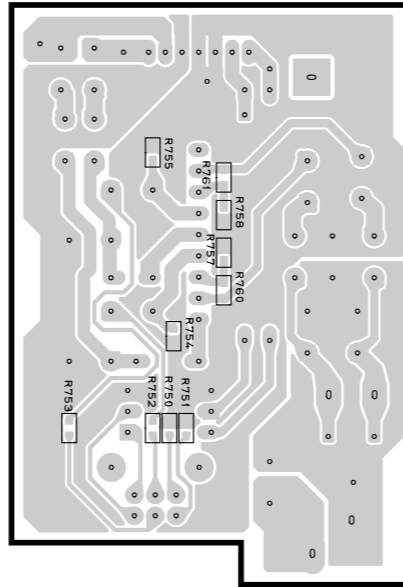


1 ■ PRINTED CIRCUIT BOARD

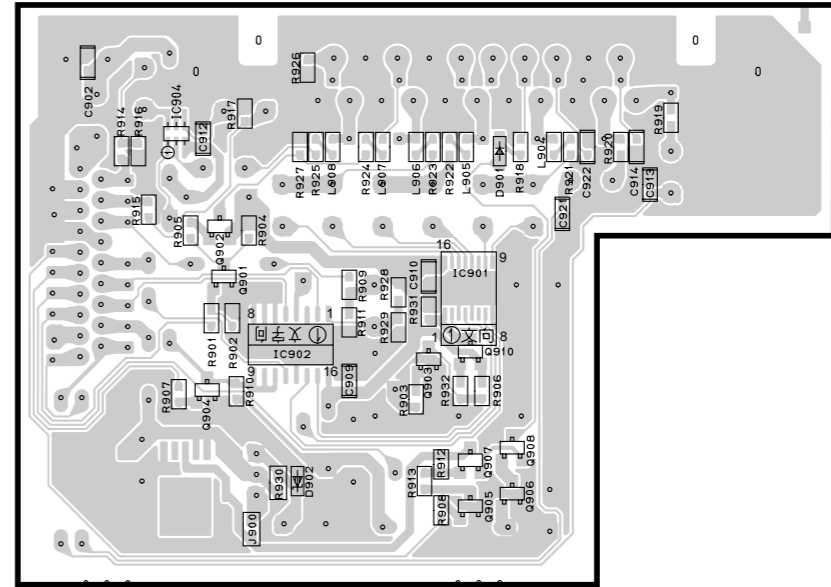
2 • Semiconductor Location

Ref. No.	Location
D901	H2
D902	H3
IC701	G6
IC901	H3
IC902	H3
IC904	G2
Q701	E5
Q702	H5
Q703	I5
Q704	D6
Q901	G3
Q902	G2
Q903	H3
Q904	G3
Q905	H3
Q906	H3
Q907	H3
Q908	H3
Q910	H3

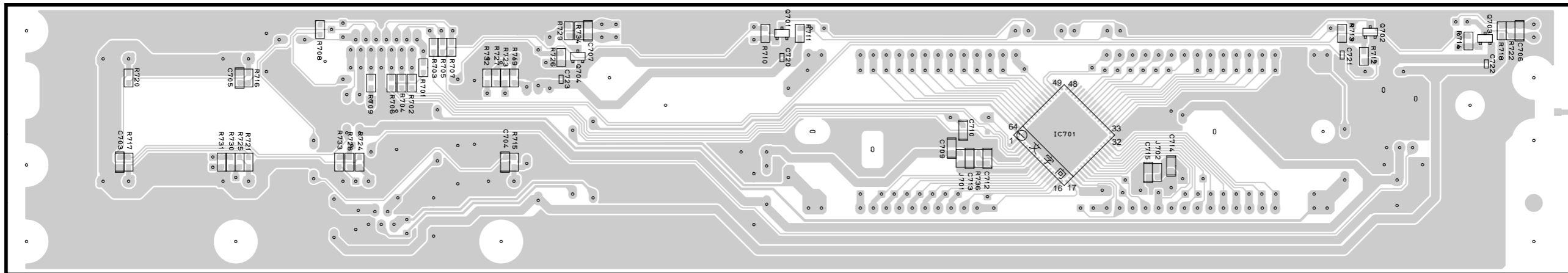
3 MAIN P. C. B. (3) (Foil side)



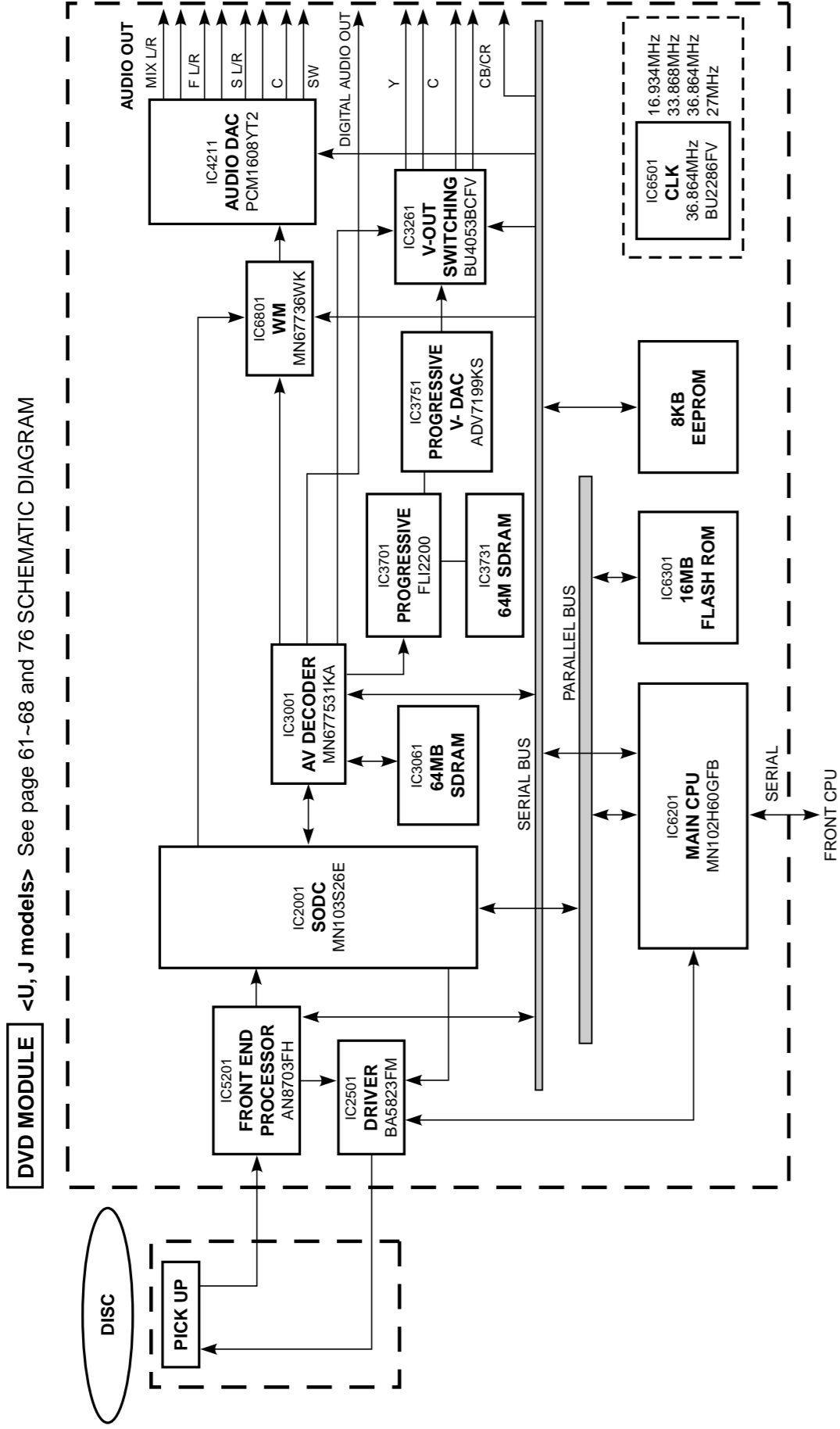
4 MAIN P. C. B. (6) (Foil side) (B, G models only)



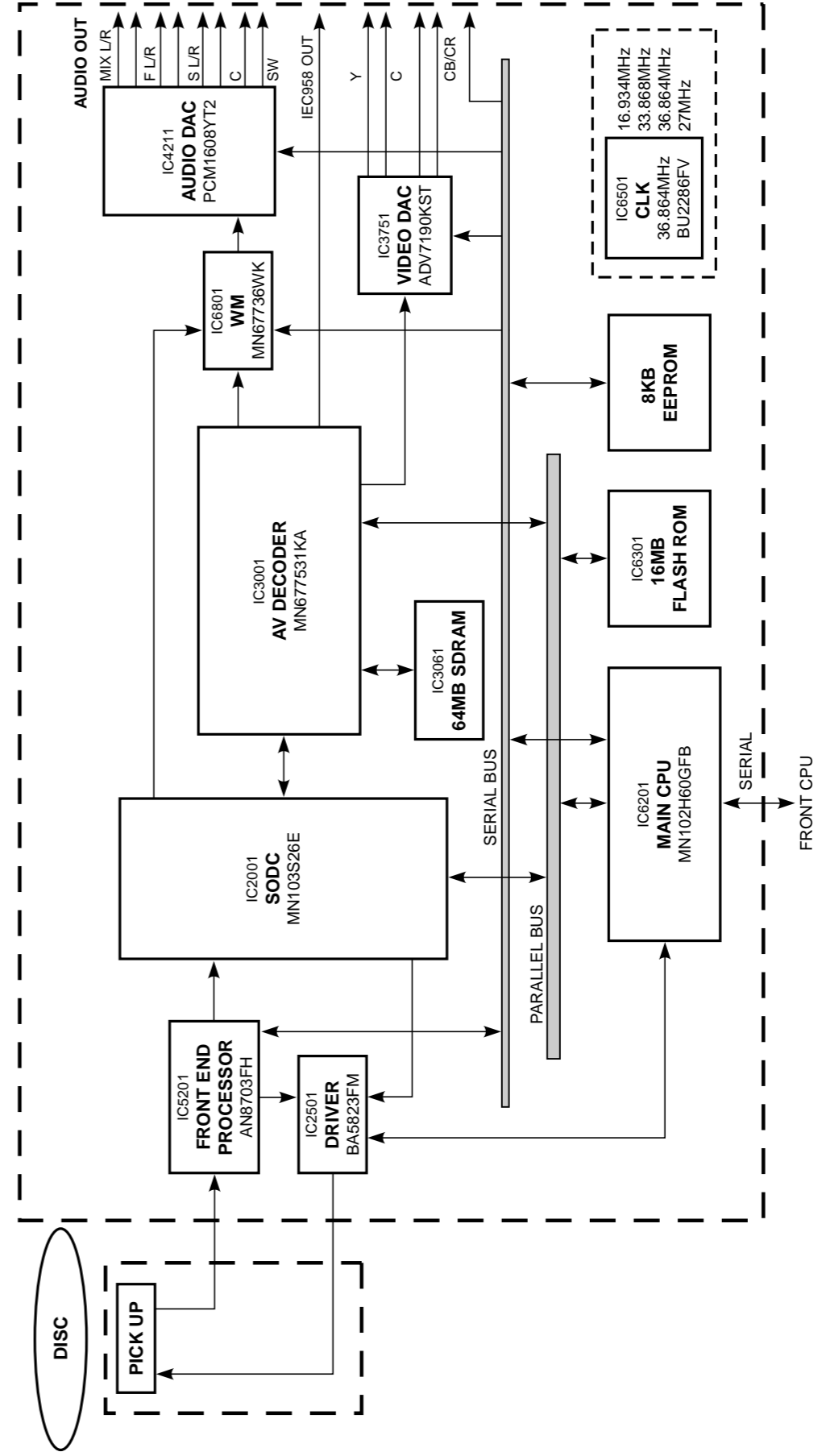
5 MAIN P. C. B. (2) (Foil side)



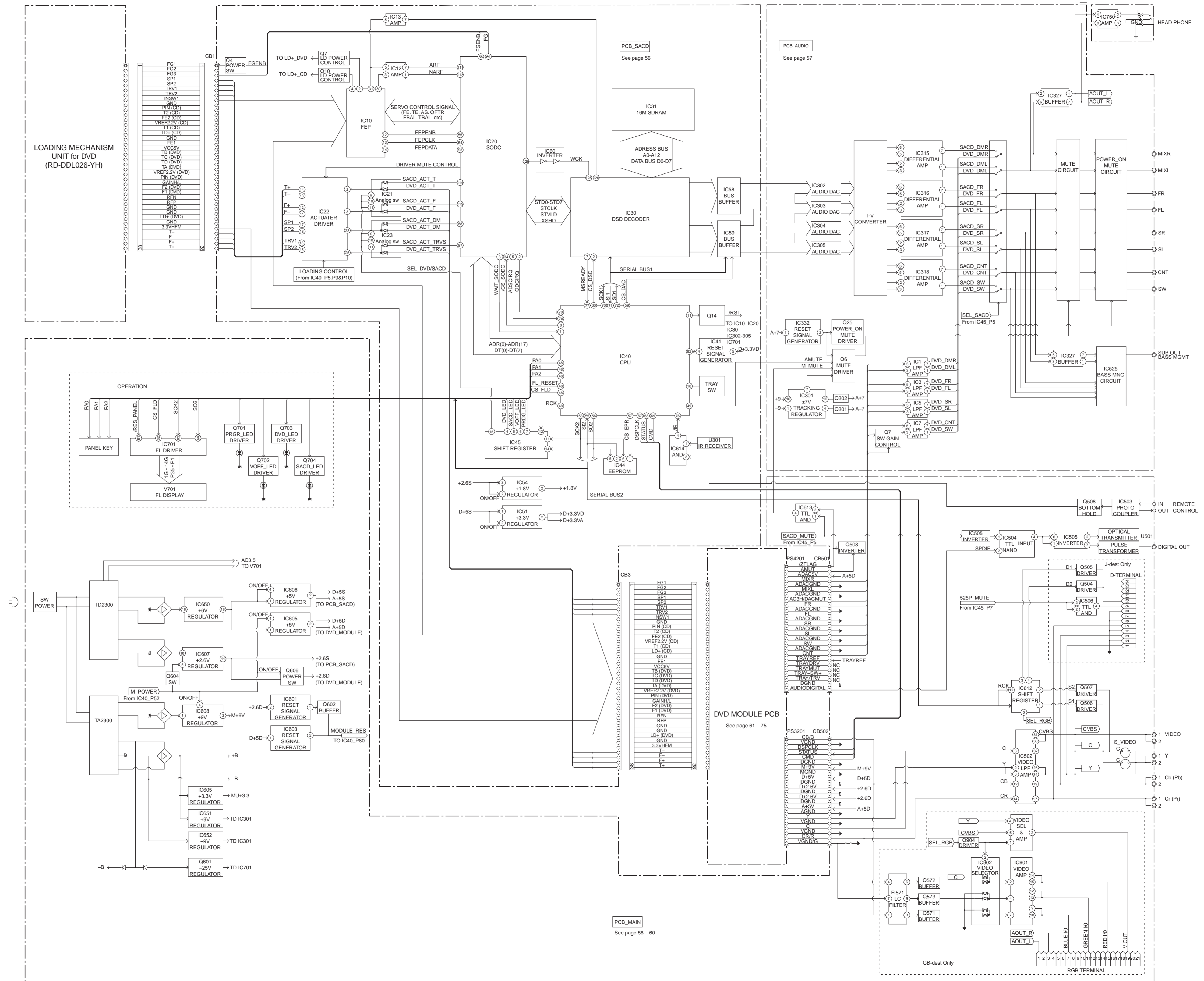
BLOCK DIAGRAM



DVD MODULE <A, B, G models> See page 69~76 SCHEMATIC DIAGRAM



■ BLOCK DIAGRAM

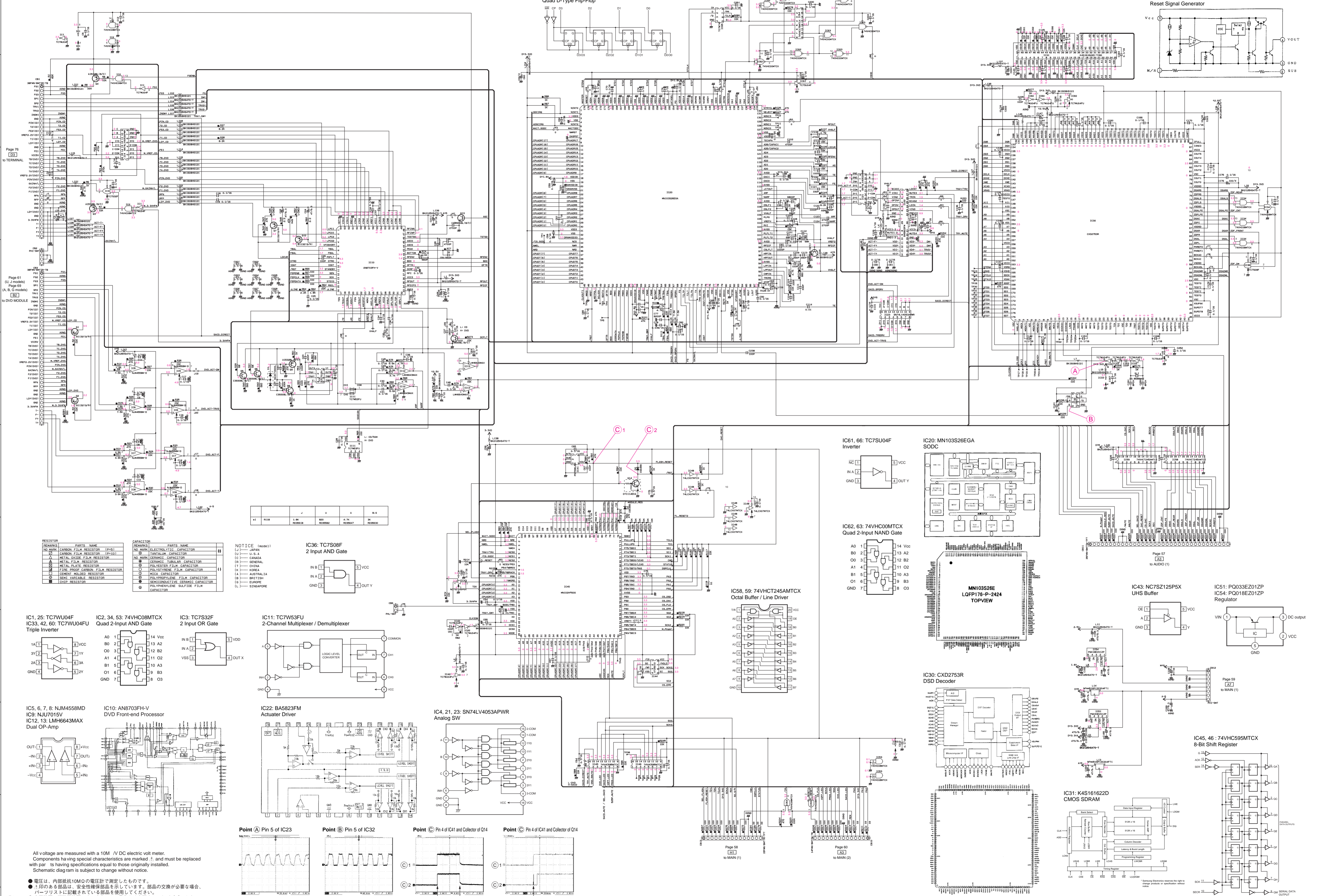


PCB_MAIN
See page 58 - 60

DVD MODULE PCB
See page 61 - 75

PCB_AUDIO
See page 57

PCB_SACD
See page 56



Page 75
 TO TERMINAL

Page 61
 (U, J models)
 Page 60
 (A, B, G models)
 TO DVD MODULE

Page 57
 (A)
 TO AUDIO (1)

Page 59
 (A)
 TO MAIN (1)

Page 58
 (A)
 TO MAIN (1)

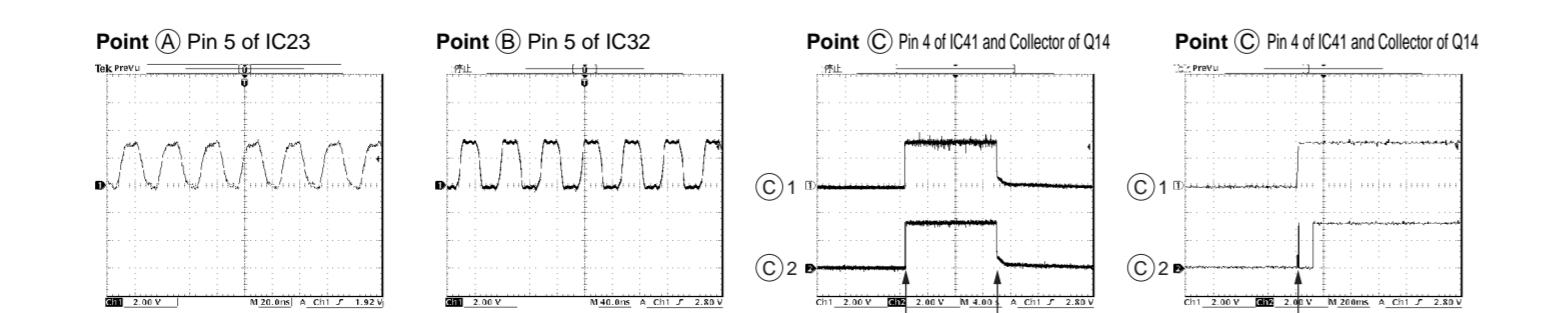
Page 60
 (A)
 TO MAIN (2)

Page 59
 (A)
 TO MAIN (1)

Page 59
 (A)
 TO MAIN (1)

All voltage are measured with a 10M Ω DC electric volt meter.
 Components having special characteristics are marked with a star and must be replaced with parts having specifications equal to those originally installed.
 Schematic diagram is subject to change without notice.

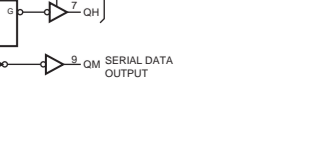
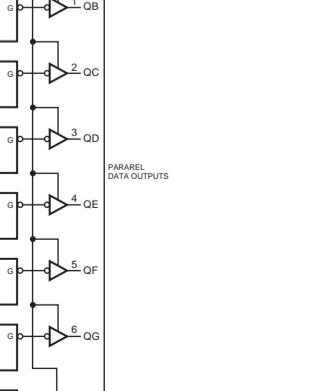
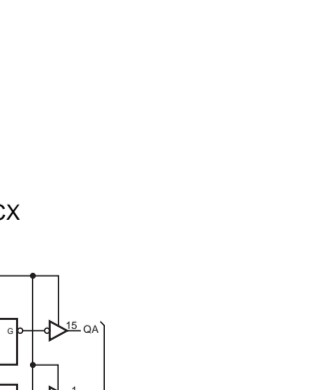
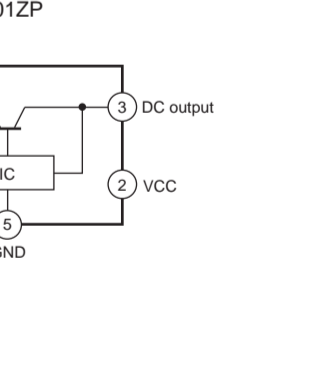
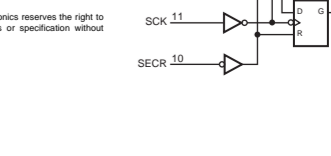
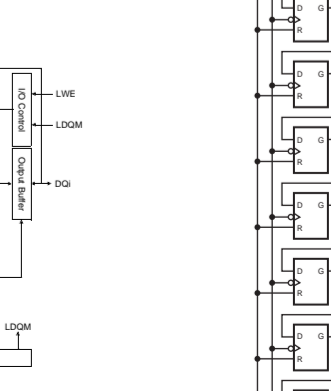
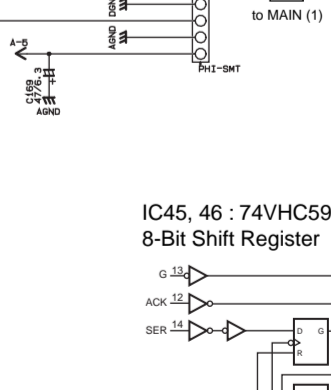
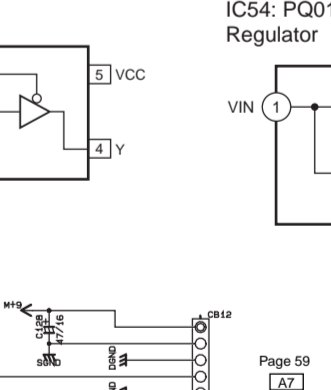
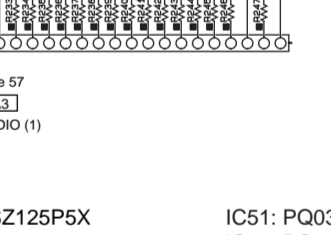
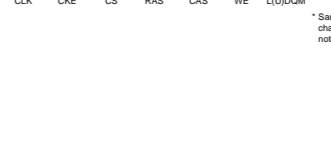
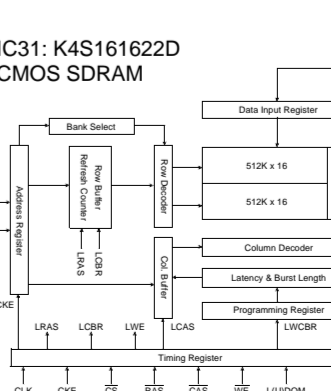
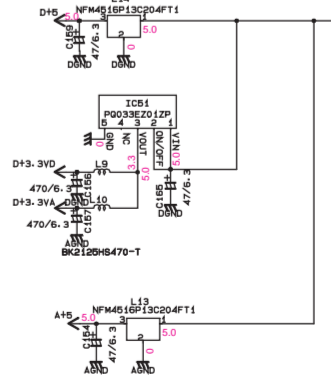
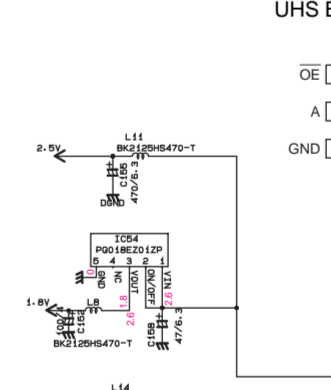
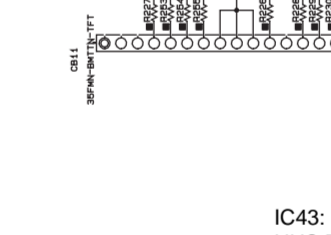
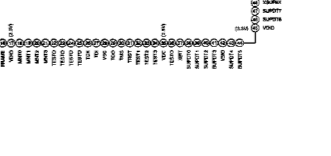
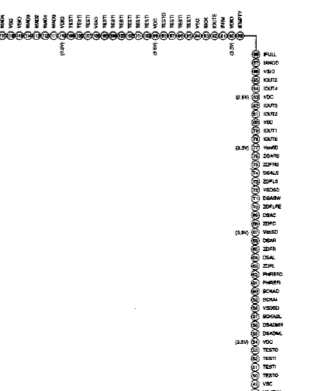
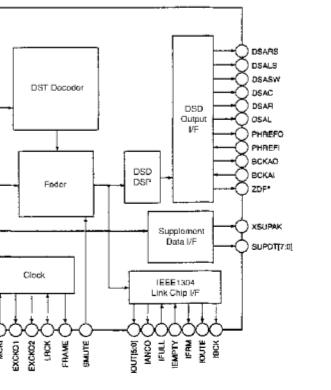
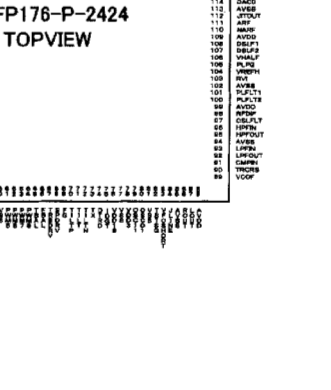
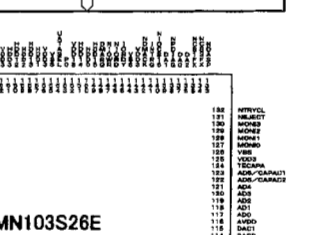
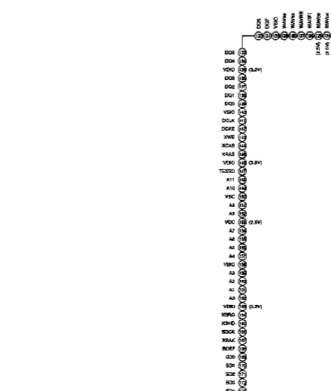
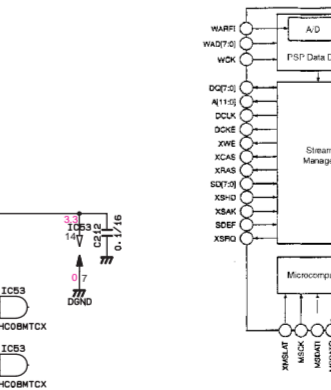
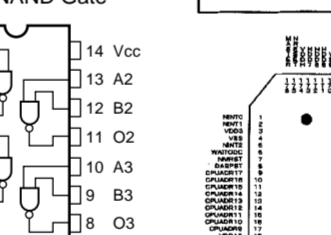
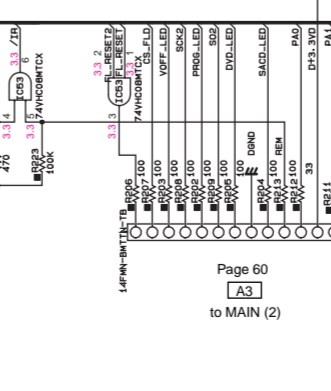
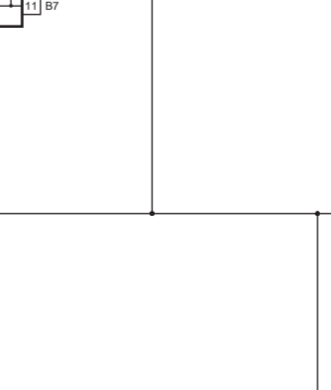
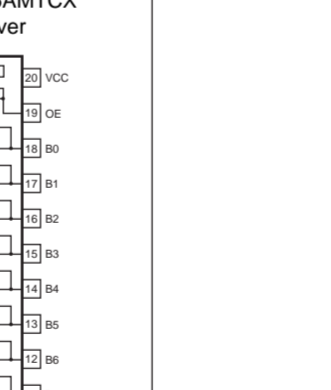
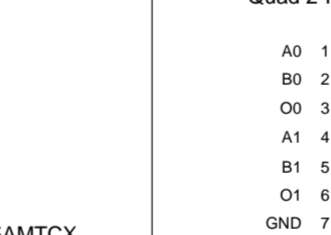
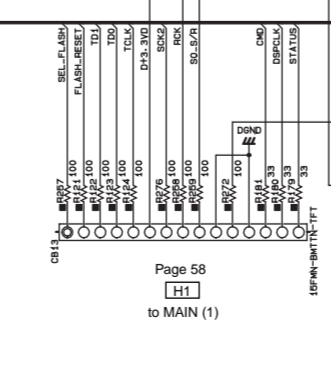
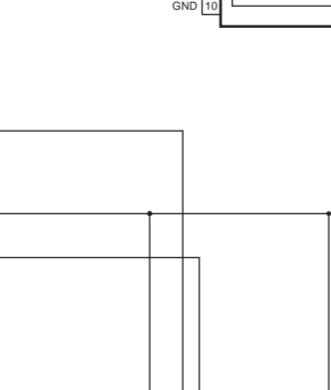
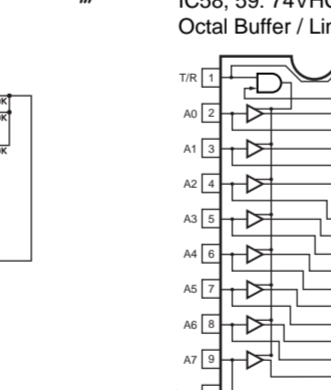
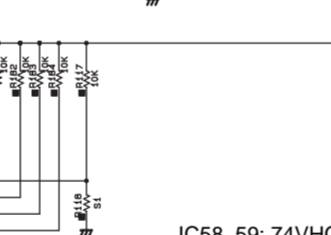
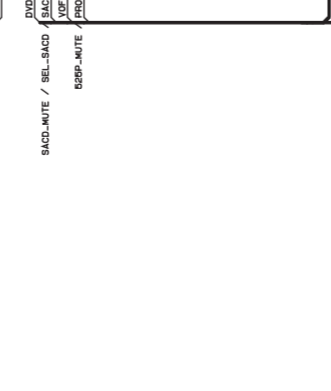
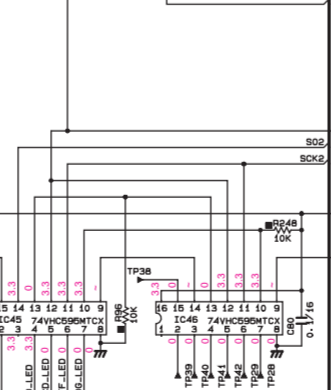
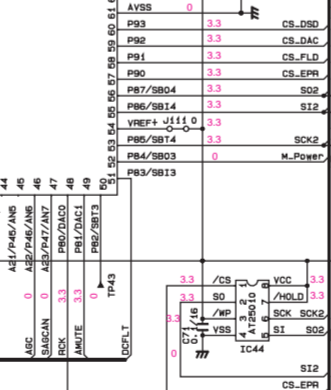
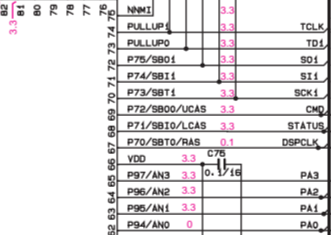
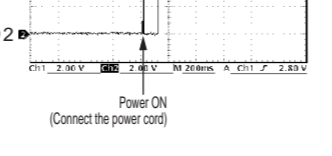
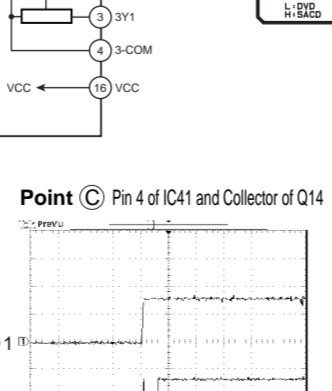
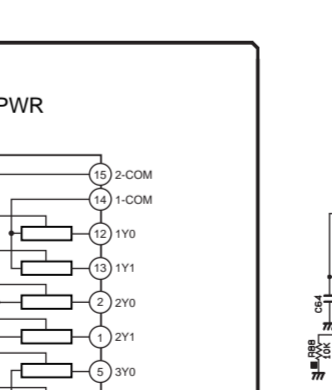
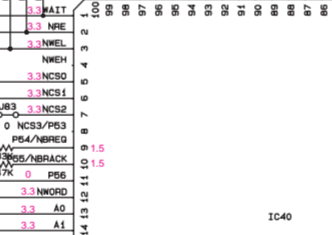
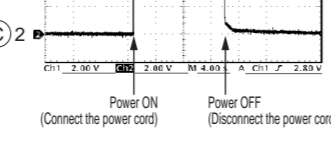
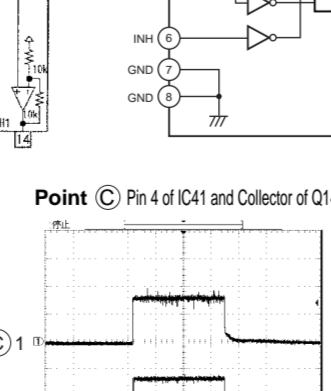
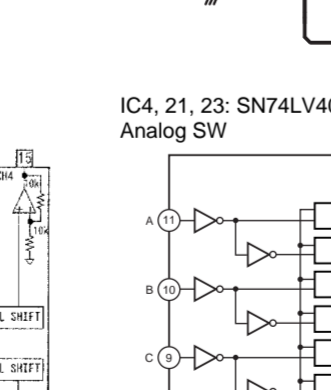
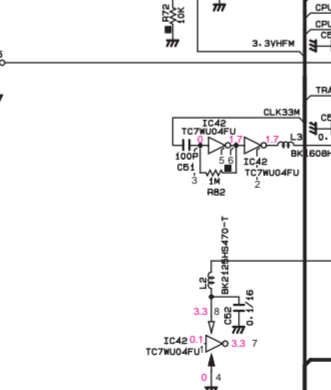
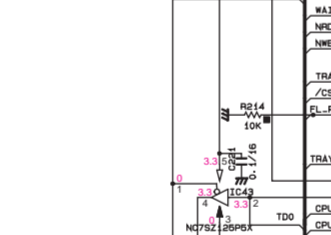
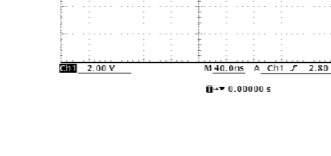
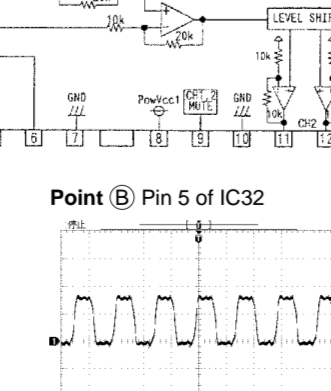
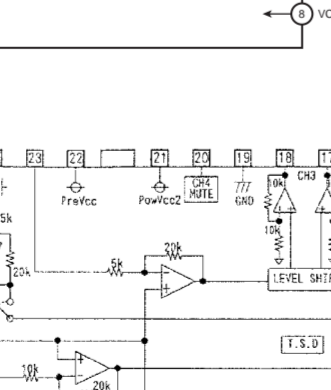
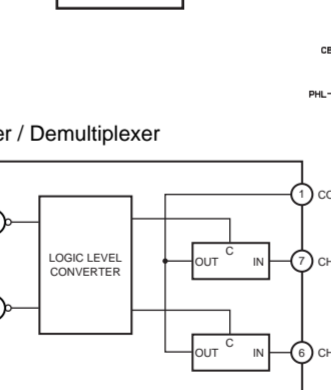
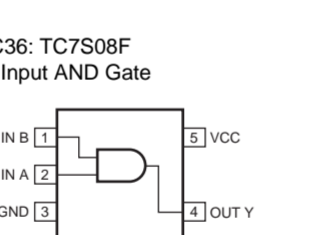
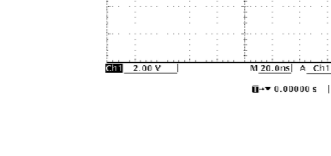
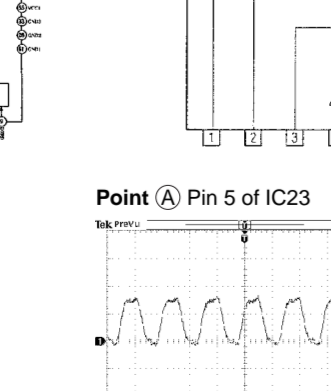
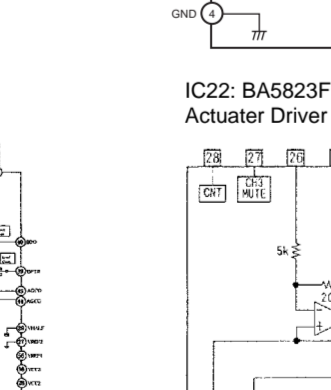
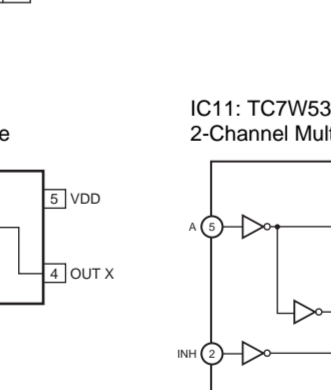
- 電圧は、内部抵抗10M Ω の電圧計で測定したものです。
- ★印のある部品は、安全性確保部品を示しています。部品の交換が必要な場合、メーカーサイトに記載されている部品を使用してください。
- 本回路図は標準回路図です。改良のため予告なく変更することがございます。



Point A Pin 5 of IC23
 Point B Pin 5 of IC32
 Point C1 Pin 4 of IC41 and Collector of Q14
 Point C2 Pin 4 of IC41 and Collector of Q14

RESISTOR	PARTS NAME	CAPACITOR	PARTS NAME
NO MARK	CARBON FILM RESISTOR (FPM)	NO MARK	ELECTROLYTIC CAPACITOR
□	CARBON FILM RESISTOR (FPM)	□	TANTALUM CAPACITOR
△	METAL FILM RESISTOR	□	NO MARK CERAMIC CAPACITOR
◇	METAL PLATE RESISTOR	□	GENERAL CERAMIC CERAMIC CAPACITOR
○	FILM PROOF CARBON FILM RESISTOR	○	POLYESTER FILM CAPACITOR
◇	OHMNT. HOLED RESISTOR	○	POLYPROPYLENE FILM CAPACITOR
○	OHMNT. HOLED RESISTOR	○	MICA CAPACITOR
○	OHMNT. HOLED RESISTOR	○	POLYPROPYLENE FILM CAPACITOR
○	OHMNT. HOLED RESISTOR	○	NONCONDUCTIVE CERAMIC CAPACITOR
○	OHMNT. HOLED RESISTOR	○	POLYPHENYLENE SULFIDE FILM CAPACITOR

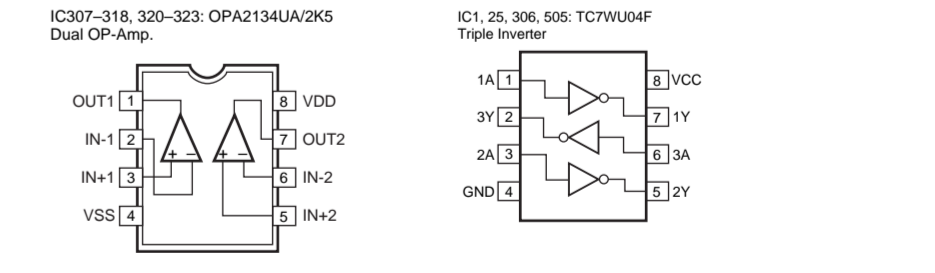
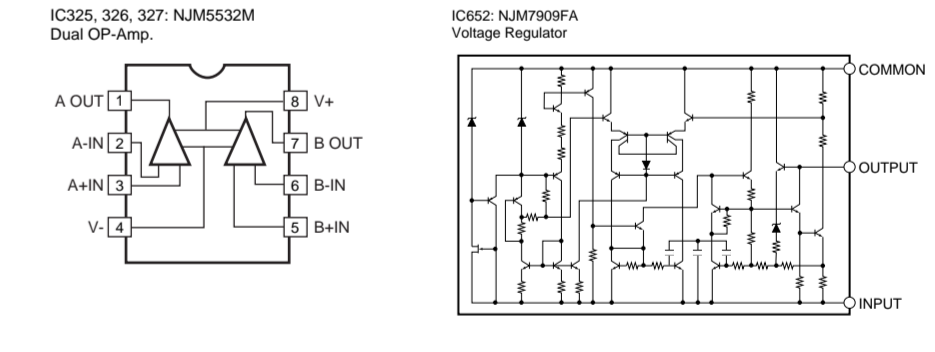
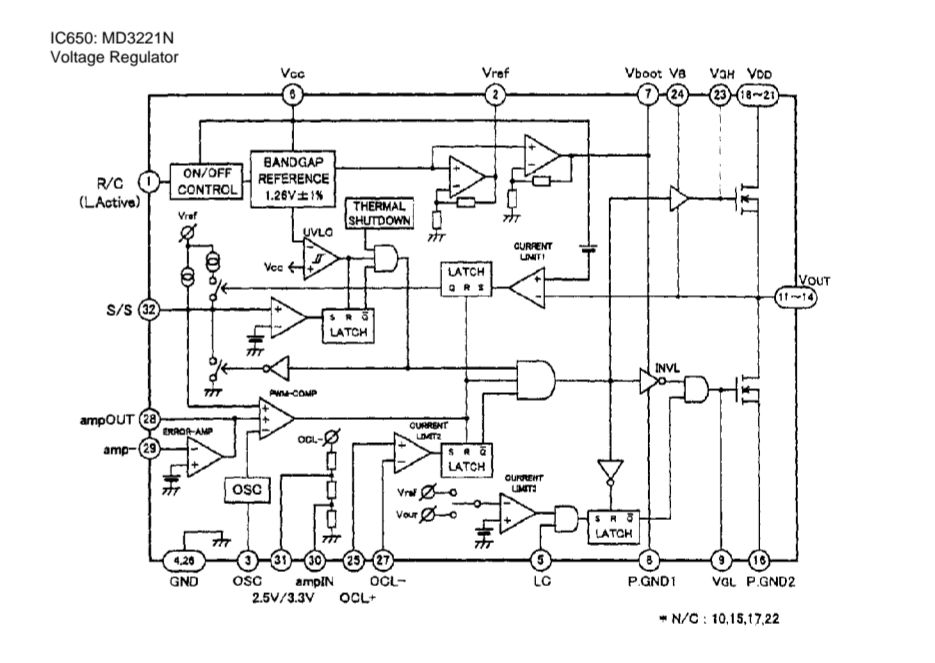
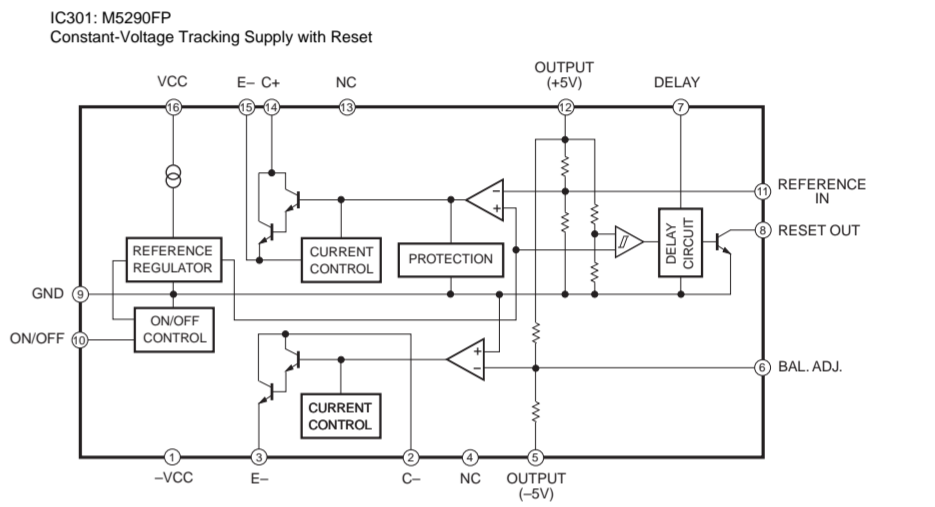
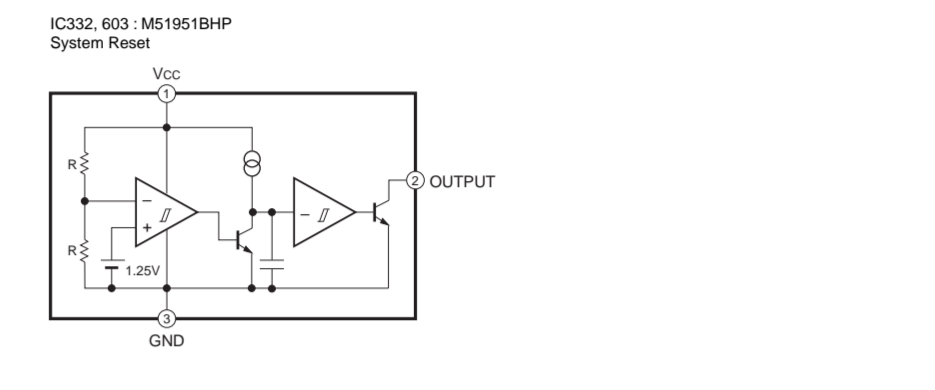
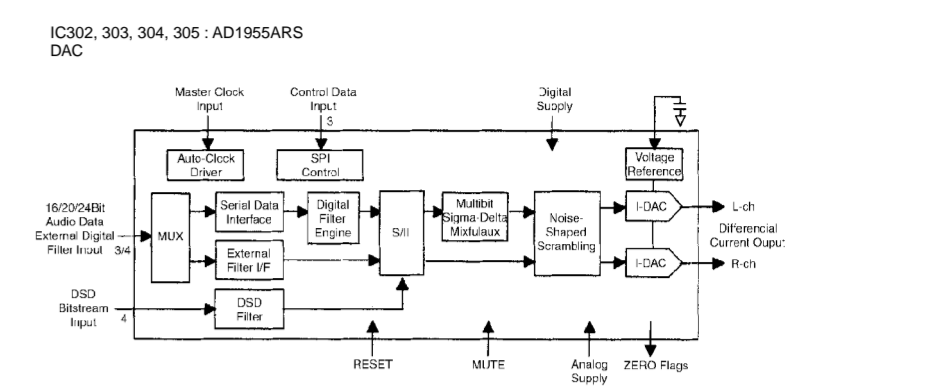
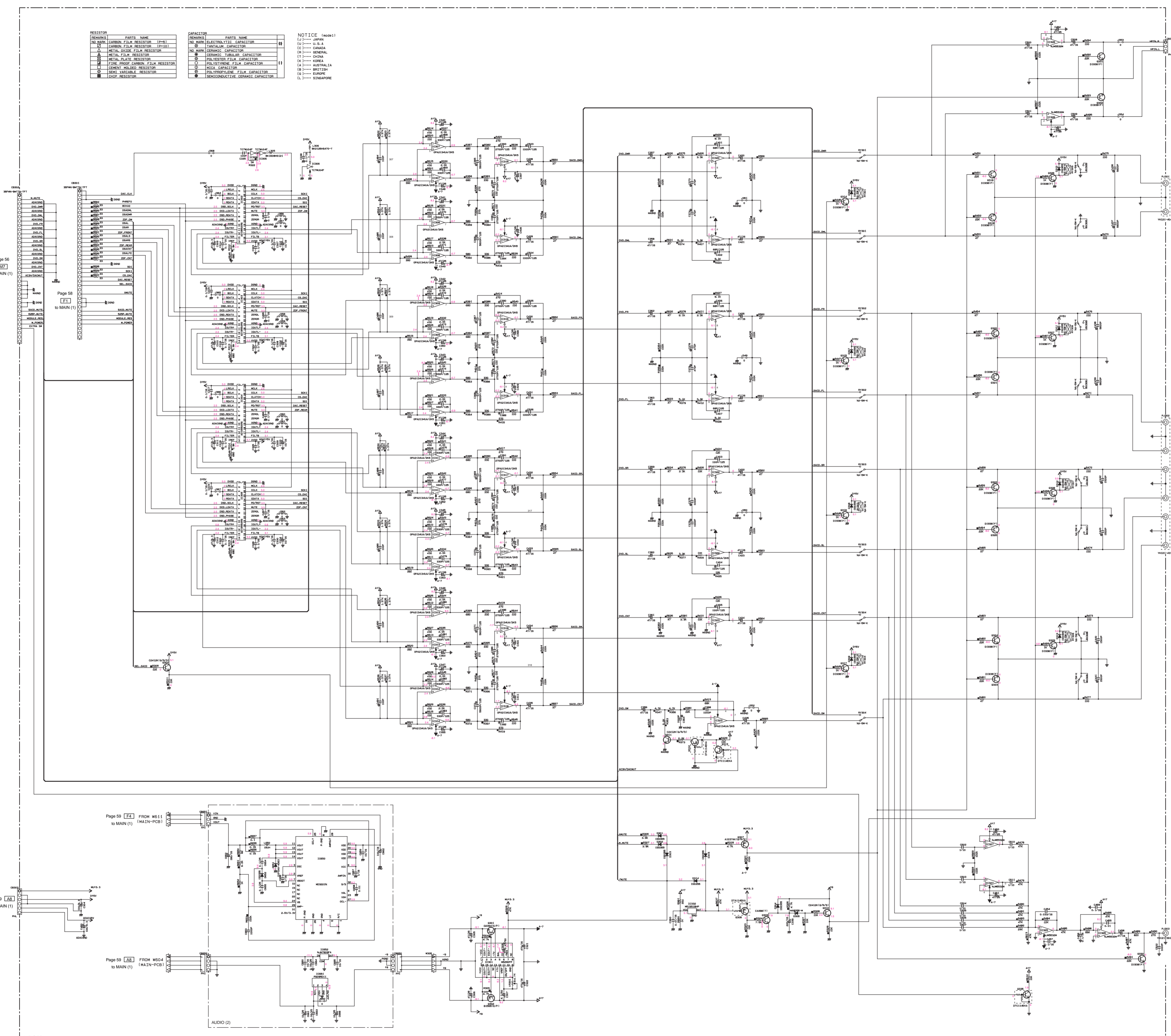
NOTICE (model1)
 (J) JAPAN
 (U) U.S.A.
 (C) CANADA
 (G) GENERAL
 (T) CHINA
 (K) KOREA
 (A) AUSTRALIA
 (B) BRITISH
 (E) EUROPE
 (L) SINGAPORE



SCHEMATIC DIAGRAM (AUDIO)

RESISTOR	PARTS NAME	CAPACITOR	PARTS NAME	NOTICE (note1)
NO MARK	CARBON FILM RESISTOR (F=5%)	NO MARK	ELECTROLYTIC CAPACITOR	J JAPAN
A	METAL OXIDE FILM RESISTOR (F=1%)	①	TANTALUM CAPACITOR	U U.S.A
M	METAL FILM RESISTOR	②	CERAMIC DISK CAPACITOR	C CANADA
①	METAL GLAZE RESISTOR	NO MARK	CERAMIC CAPACITOR	R GENERAL
②	FIRE PROOF CARBON FILM RESISTOR	③	POLYESTER FILM CAPACITOR	K KOREA
③	CEMENT HOLED RESISTOR	④	POLYPROPYLENE FILM CAPACITOR	S SINGAPORE
④	DRG. VARIABLE RESISTOR	⑤	NEICA CAPACITOR	B BRITISH
⑤	CHIP RESISTOR	⑥	POLYETHYLENE FILM CAPACITOR	G GERMANY
		⑦	SEMICONDUCTOR CERAMIC CAPACITOR	L SINGAPORE

NOTICE (note1)
 J JAPAN
 U U.S.A
 C CANADA
 R GENERAL
 K KOREA
 S SINGAPORE
 B BRITISH
 G GERMANY
 L SINGAPORE



All voltage are measured with a 10M Ω DC electric volt meter.
 Components having special characteristics are marked !, and must be replaced with par !s having specifications equal to those originally installed.
 Schematic diagram is subject to change without notice.

- 電圧は、内部抵抗10M Ω の電圧計で測定したものです。
- !印のある部品は、安全性確保部品を示しています。部品の交換が必要な場合、パーツリストに記載されている部品を使用してください。
- 本回路図は標準回路図です。改良のため予告なく変更することがございます。

1
2
3
4
5
6
7
8
9
10

Page 59 [AS] to MAIN (1)

Page 56 [MF] to MAIN (1)

Page 58 [FF] to MAIN (1)

Page 59 [ZI] FROM W015 (MAIN-PCB)

Page 59 [AB] FROM W04 (MAIN-PCB)

AUDIO (1)

AUDIO (2)

DVD-S2300
SCHEMATIC DIAGRAM (MAIN 1/3)

REMARKS	PARTS_NAME
NO MARK	CARBON FILM RESISTOR (P=5)
□	CARBON FILM RESISTOR (P=10)
△	METAL OXIDE FILM RESISTOR
▲	METAL FILM RESISTOR
⊠	METAL PLATE RESISTOR
■	FIRE PROOF CARBON FILM RESISTOR
○	CEMENT MOLDED RESISTOR
⊙	SEMI-VARIABLE RESISTOR
■	CHIP RESISTOR

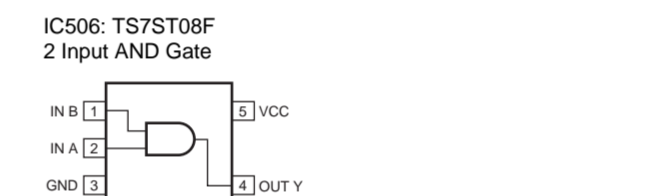
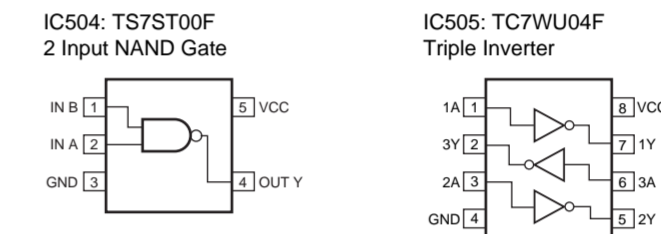
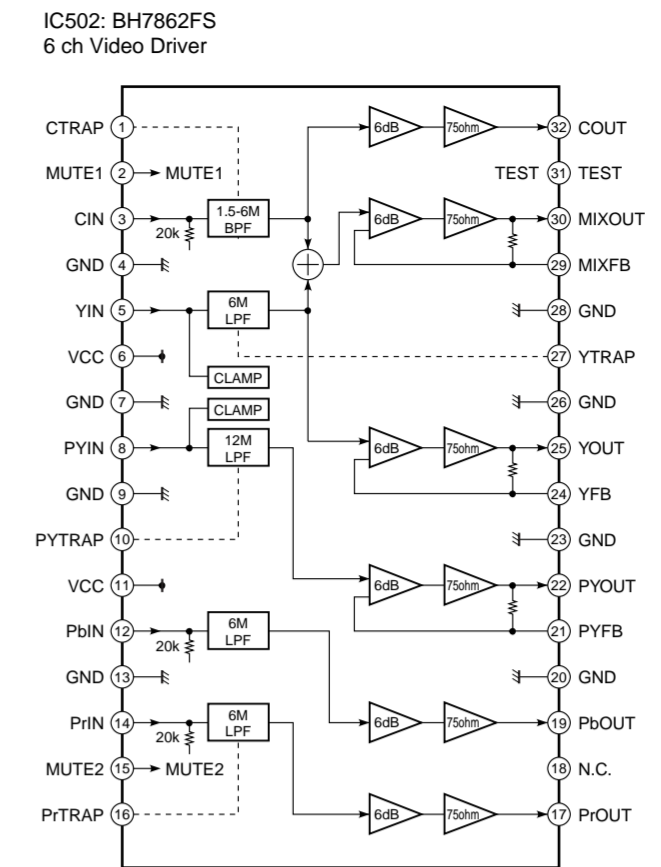
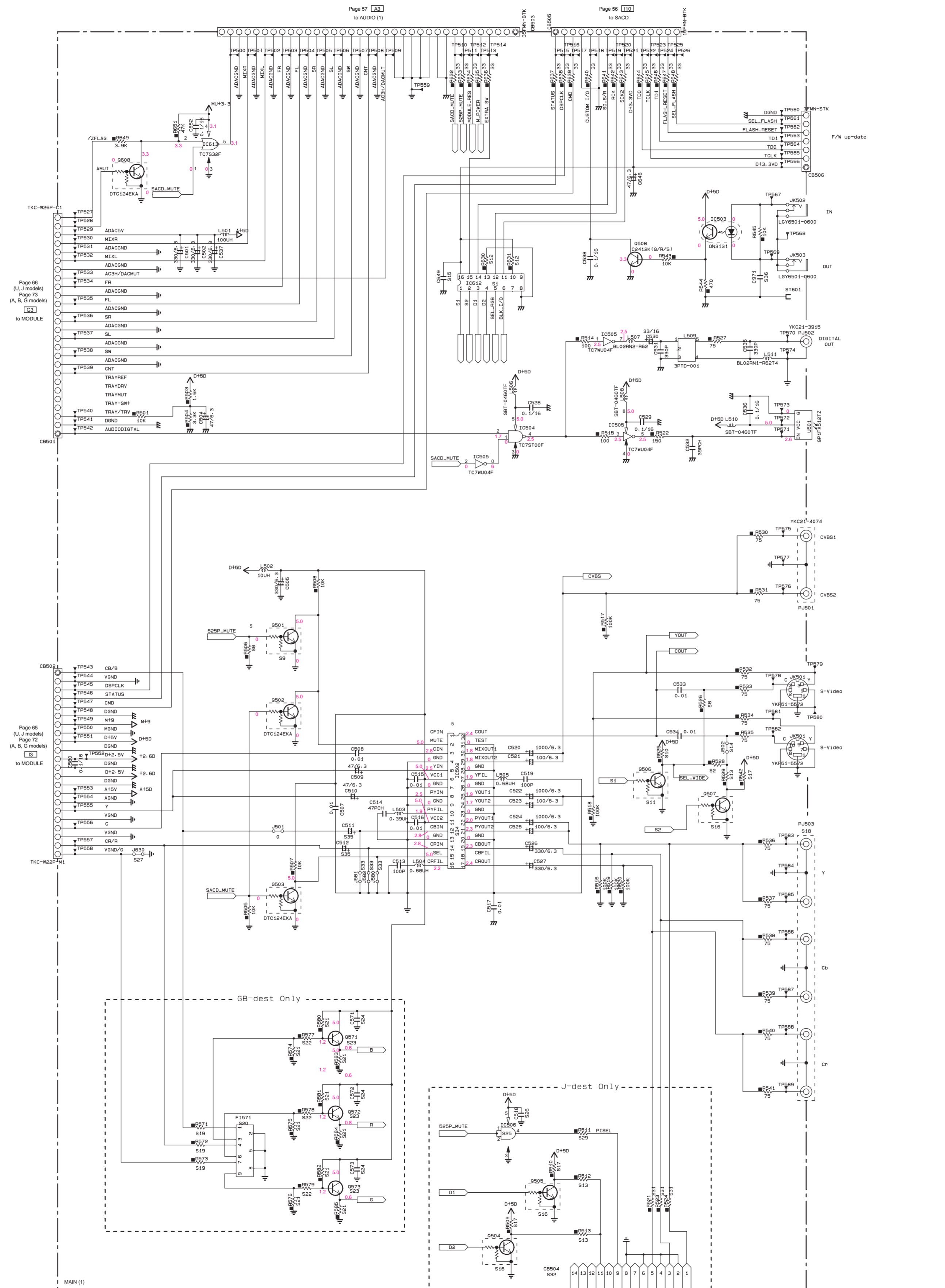
REMARKS	PARTS_NAME
NO MARK	ELECTROLYTIC CAPACITOR
□	TANTALUM CAPACITOR
NO MARK	CERAMIC CAPACITOR
⊙	CERAMIC TUBULAR CAPACITOR
⊖	POLYESTER FILM CAPACITOR
○	POLYSTYRENE FILM CAPACITOR
⊕	MICA CAPACITOR
⊖	POLYPROPYLENE FILM CAPACITOR
⊙	SEMICONDUCTIVE CERAMIC CAPACITOR

NOTICE (model)
 (J)..... JAPAN
 (U)..... U. S. A.
 (C)..... CANADA
 (R)..... GENERAL
 (T)..... CHINA
 (K)..... KOREA
 (A)..... AUSTRALIA
 (B)..... BRITISH
 (G)..... EUROPE
 (L)..... SINGAPORE

		J	U	A	B-G
S1	IC612	74VHC9956JX X372340	74VHC9955JX X372340		74VHC9956JX X372340
S2	RD58	20K RD39722	10K RD39710		
S8	RD56 RD26	10K RD39710	10K RD39710		
S9	Q501	DTC124EKA YV65550	DTC124EKA YV65550		
S10	RD25	2.0K RD39622	2.0K RD39622		2.0K RD39622
S11	Q506	DTC124EKA YV65550	DTC124EKA YV65550		DTC124EKA YV65550
S12	RD30 RD31	10K RD39710	10K RD39710		10K RD39710
S13	RD12 RD13 RD59	20K RD39722			
S14	J502	0 RD39500	0 RD39500		
S15	C649	0.1/16 US13610	0.1/16 US13610		0.1/16 US13610
S16	Q504 Q505 Q507	DTC124EKA YV65550			
S17	RD59 RD10 RD42	2.0K RD39622			
S18	PJ503	YK21-4076 VB21050	YK21-4327 VB21060	YK21-4327 VB21060	
S19	RD71 RD72 RD73				560 RD39556
S20	F1571				ELB4E043B M413000
S21	RD74 RD75 RD76 RD80 RD81 RD82 RD83 RD84 RD85				10K RD39710 470 RD39547
S22	RD77 RD78 RD79				
S23	Q571 Q572 Q573				C3412K/G/P/S1 YV65640
S24	C571 C572 C573				0.01 US26410
S25	IC506	TC7ST08F X392540			
S26	C518	0.1/16 US13610			
S27	J530	0 RD39500	0 RD39500	0 RD39500	
S29	RD11	10K RD39710			
S31	RD21 RD23 RD24	75 RD39475			
S32	CB504	VPF45-3004 M446770			
S33	J560 J561 J562				0 RD39500
S34	IC502	BH7862FS X2136A0	BH7862FS X2136A0	BH7862FS X2136A0	BH7862FS X4036A0
S35	C511-C512	4.7/6.3 UM51747	4.7/6.3 UM51747	4.7/6.3 UM51747	
S36	C971	10P VF46660			

Interchangeable Parts at Manufacture-Stage

Mark	Reference Parts Number	Parts Name



All voltage are measured with a 10M Ω DC electric volt meter.
 Components having special characteristics are marked Δ and must be replaced with parts having specifications equal to those originally installed.
 Schematic diagram is subject to change without notice.

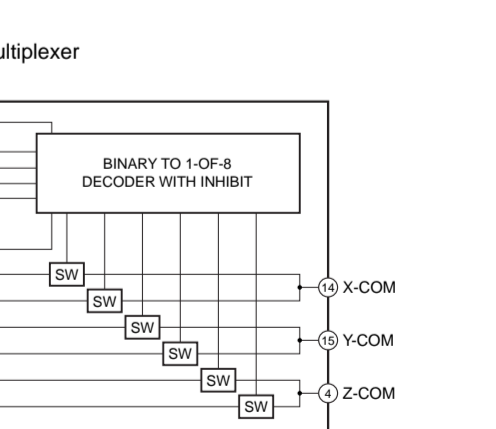
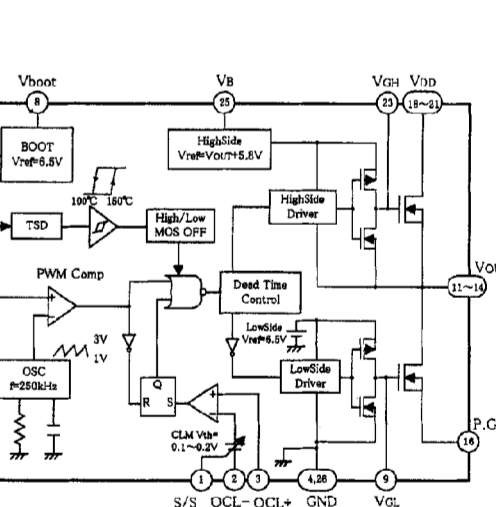
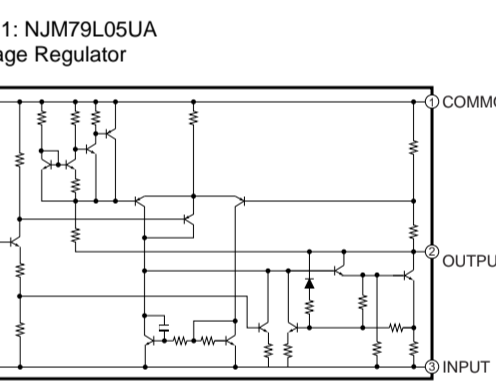
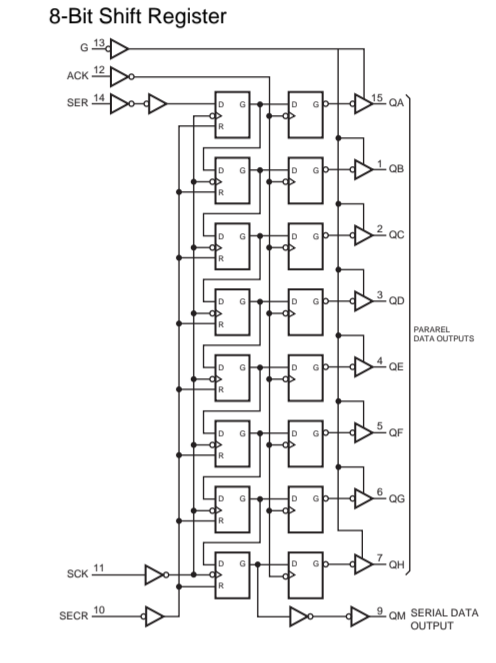
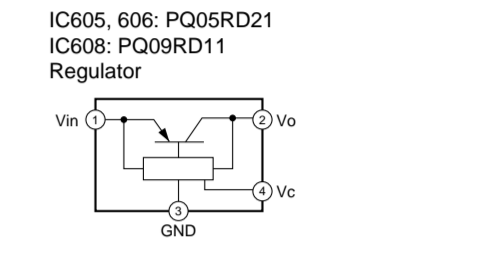
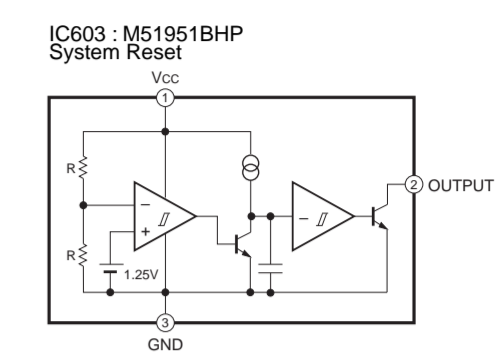
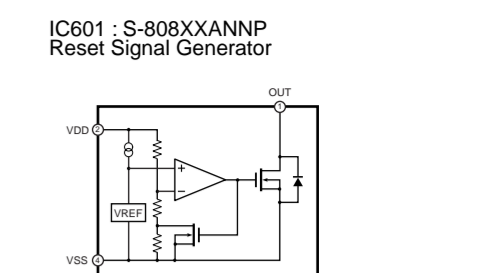
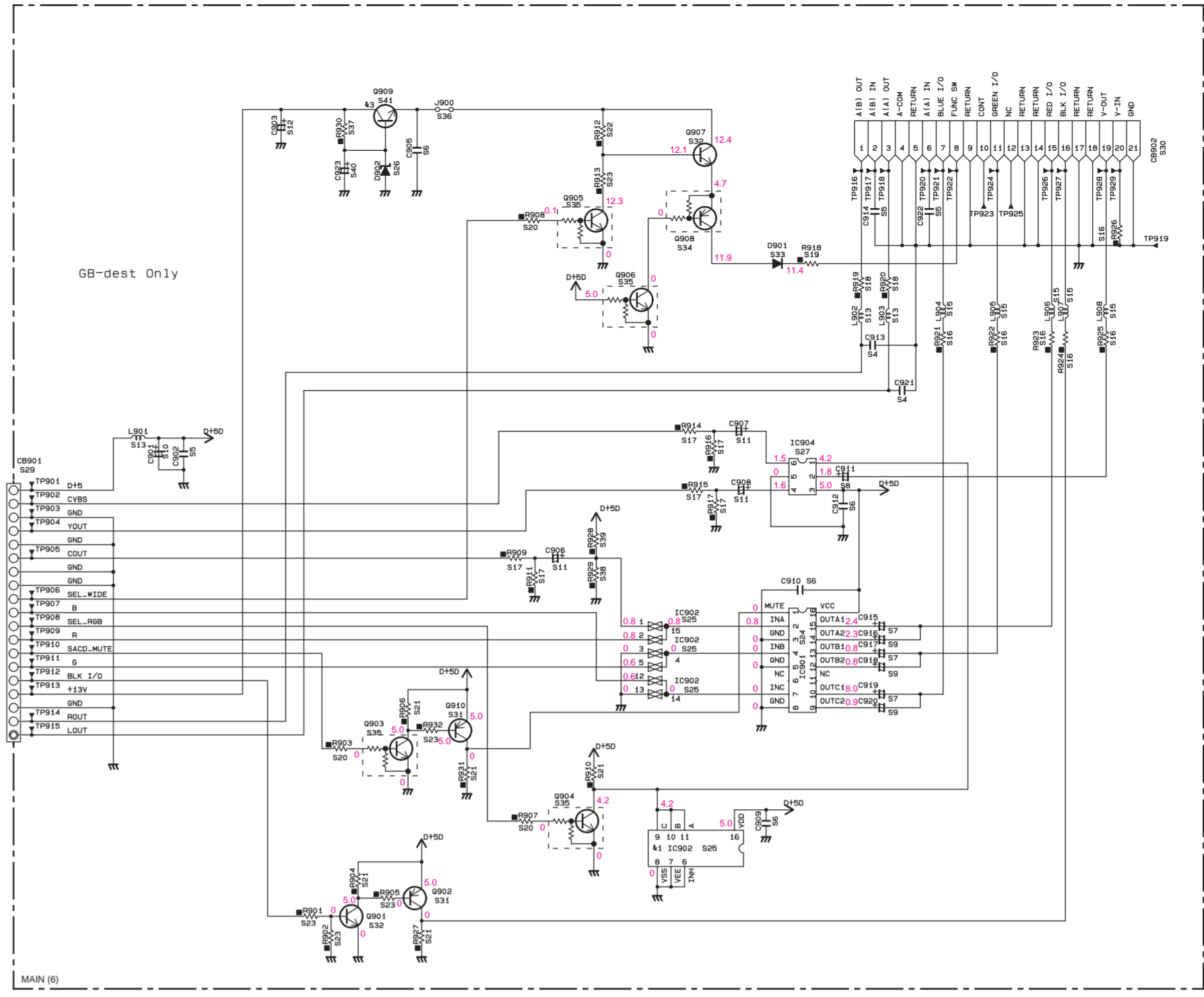
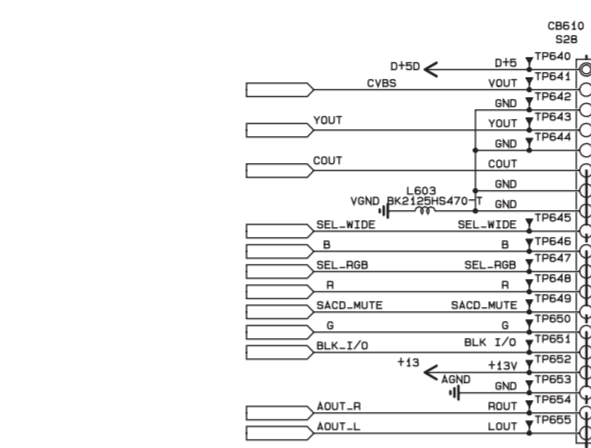
●電圧は、内部抵抗10M Ω の電圧計で測定したものです。
 ● Δ 印のある部品は、安全性確保部品を示しています。部品の交換が必要な場合、パーツリストに記載されている部品を使用してください。
 ●本回路図は標準回路図です。改良のため予告なく変更することがございます。

SCHEMATIC DIAGRAM (MAIN 2/3)

Mark	Reference Parts Number	Parts Name
41	TE801	M1908-S V956120
44	C913 C921	M1908-S V956120
55	C902 C914 C922	M1908-S V956120
56	C905 C909 C910 C912	M1908-S V956120
57	C915 C917 C919	M1908-S V956120
59	C911	M1908-S V956120
59	C916 C918 C920	M1908-S V956120
510	C901	M1908-S V956120
511	C906 C907 C908	M1908-S V956120
512	C903	M1908-S V956120
513	L901 L902 L903	M1908-S V956120
515	L904 L905 L906	M1908-S V956120
516	R921 R922 R923 R924 R925 R926	M1908-S V956120
517	R909 R911 R914 R915 R916 R917	M1908-S V956120
518	R919 R920	M1908-S V956120
519	R918	M1908-S V956120
520	R903 R907 R908	M1908-S V956120
521	R904 R905 R910	M1908-S V956120
522	R912	M1908-S V956120
523	R901 R902 R905 R913 R932	M1908-S V956120
524	IC901	M1908-S V956120
525	IC902	M1908-S V956120
526	D902	M1908-S V956120
527	IC904	M1908-S V956120
528	C9901	M1908-S V956120
530	C9902	M1908-S V956120

Mark	Reference Parts Number	Parts Name
531	Q902 Q910	M1908-S V956120
532	Q901 Q907	M1908-S V956120
533	D615 D616 D901	M1908-S V956120
534	Q908	M1908-S V956120
535	Q903 Q904 Q905 Q906	M1908-S V956120
536	J900	M1908-S V956120
537	R930	M1908-S V956120
538	R909	M1908-S V956120
539	R928	M1908-S V956120
540	C903	M1908-S V956120
541	Q909	M1908-S V956120
543	C653 C655	M1908-S V956120
544	C654	M1908-S V956120

Mark	Reference Parts Number	Parts Name
42	G601	M1908-S V956120
43	G609	M1908-S V956120

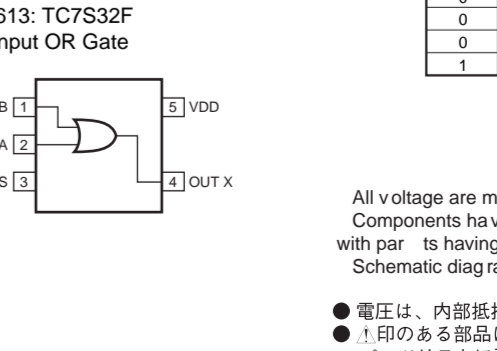
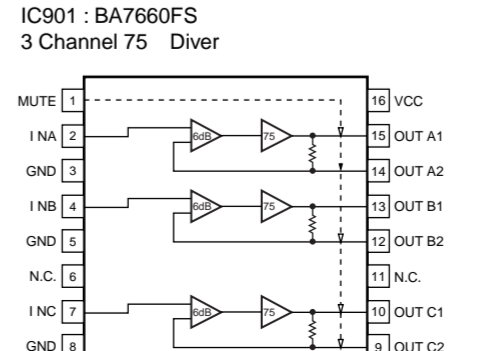
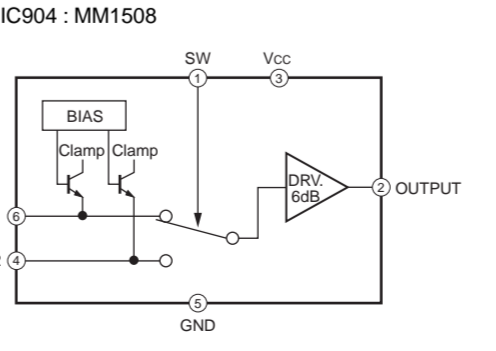


INPUT STATES	'ON' CHANNEL(S)
INHIBIT	C B A
0 0 0	0X, 0Y, 0Z
0 0 1	1X, 0Y, 0Z
0 1 0	0X, 1Y, 0Z
0 1 1	1X, 1Y, 0Z
1 0 0	0X, 0Y, 1Z
1 0 1	1X, 0Y, 1Z
1 1 0	0X, 1Y, 1Z
1 1 1	1X, 1Y, 1Z
1 X X	NONE

REMARKS	PARTS NAME
NO MARK	CARBON FILM RESISTOR (P+P)
□	CARBON FILM RESISTOR (P+P)
△	METAL OXIDE FILM RESISTOR
▲	METAL FILM RESISTOR
■	METAL PLATE RESISTOR
◇	FIRE PROOF CARBON FILM RESISTOR
□	CEMENT MOLDED RESISTOR
◇	SEMI VARIABLE RESISTOR
■	CHIP RESISTOR

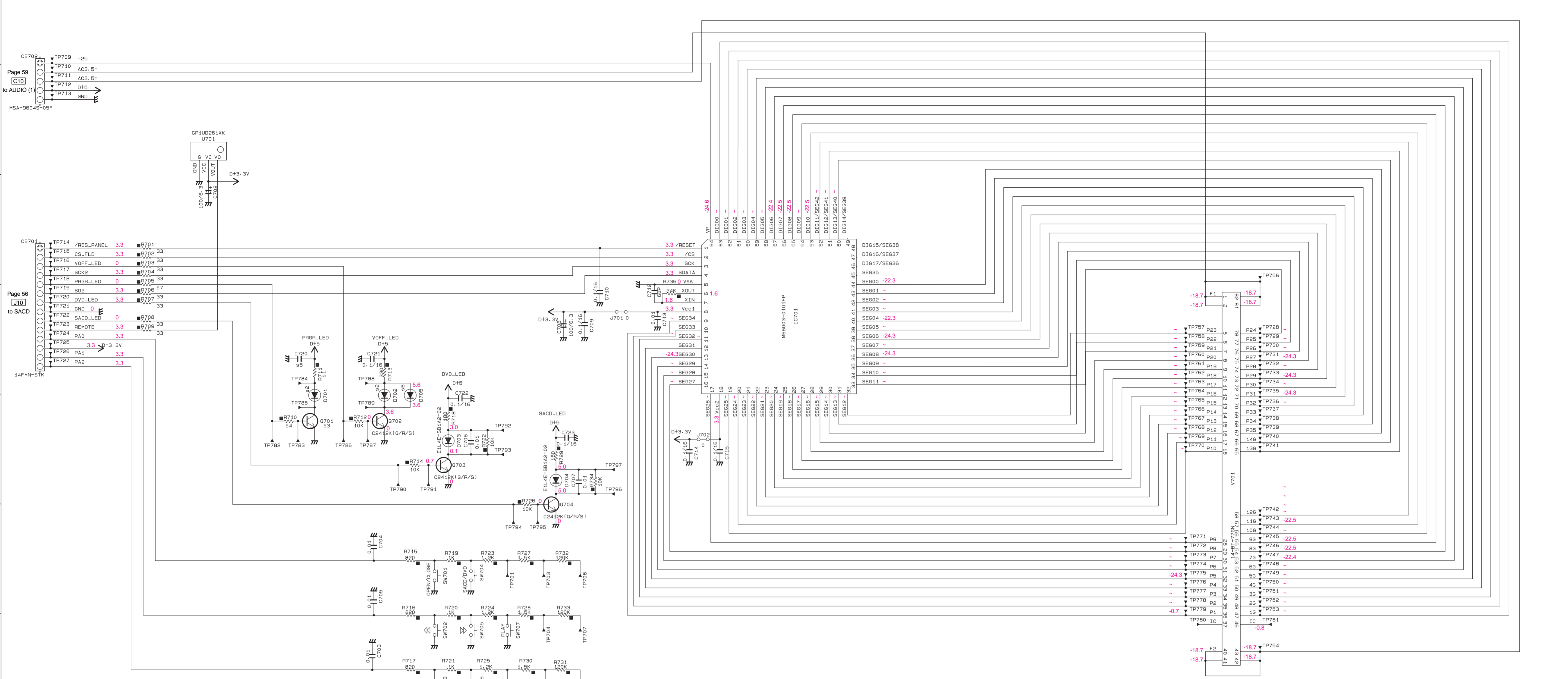
REMARKS	PARTS NAME
NO MARK	CARBON FILM RESISTOR (P+P)
□	CARBON FILM RESISTOR (P+P)
△	METAL OXIDE FILM RESISTOR
▲	METAL FILM RESISTOR
■	METAL PLATE RESISTOR
◇	FIRE PROOF CARBON FILM RESISTOR
□	CEMENT MOLDED RESISTOR
◇	SEMI VARIABLE RESISTOR
■	CHIP RESISTOR

NOTICE (model)
 (J)..... JAPAN
 (U)..... U.S.A.
 (C)..... CANADA
 (A)..... AUSTRALIA
 (R)..... GENERAL
 (T)..... CHINA
 (K)..... KOREA
 (S)..... SINGAPORE



All voltage are measured with a 10M Ω DC electric volt meter.
 Components having special characteristics are marked !, and must be replaced with pair ! having specifications equal to those originally installed.
 Schematic diagram is subject to change without notice.
 ●電圧は、内部抵抗10MΩの電圧計で測定したものです。
 ●!印のある部品は、安全性確保部品を示しています。部品の交換が必要な場合、パーツリストに記載されている部品を使用してください。
 ●本回路図は標準回路図です。改良のため予告なく変更することがございます。

DVD-S2300
SCHEMATIC DIAGRAM (MAIN 3/3)



		J	U	A-B-G
s1	R711	330 RD35533	330 RD35533	
s2	D701 D702	SEL6910A-CD WA46780	SEL6910A-CD WA46780	
s3	Q701	2SC2412K(Q,R,S) VV55640	2SC2412K(Q,R,S) VV55640	
s4	R710	10K RD35710	10K RD35710	
s5	C720	0.1/16 US13510	0.1/16 US13510	
s6	D705		SEL6910A-CD WA46780	
s7	R705	33 RD35433	33 RD35433	
s8	D756	100P FG64410		100P FG64410
s9	C970		0.1 UA65510	
s10	L970		F807VA1215B VM74970	

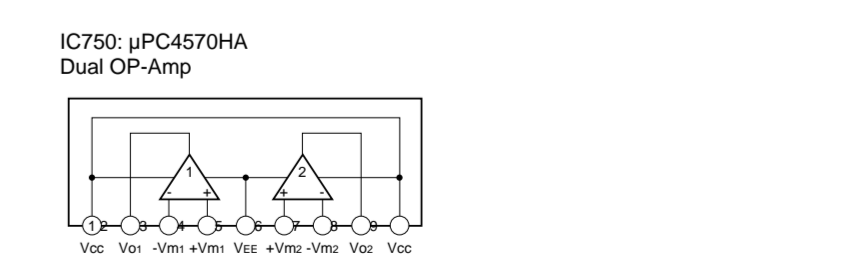
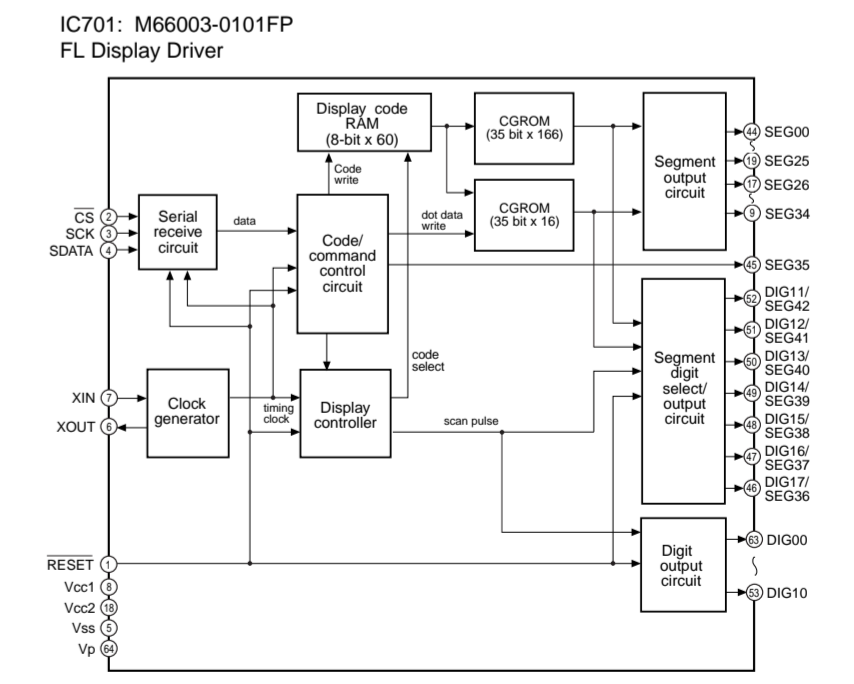
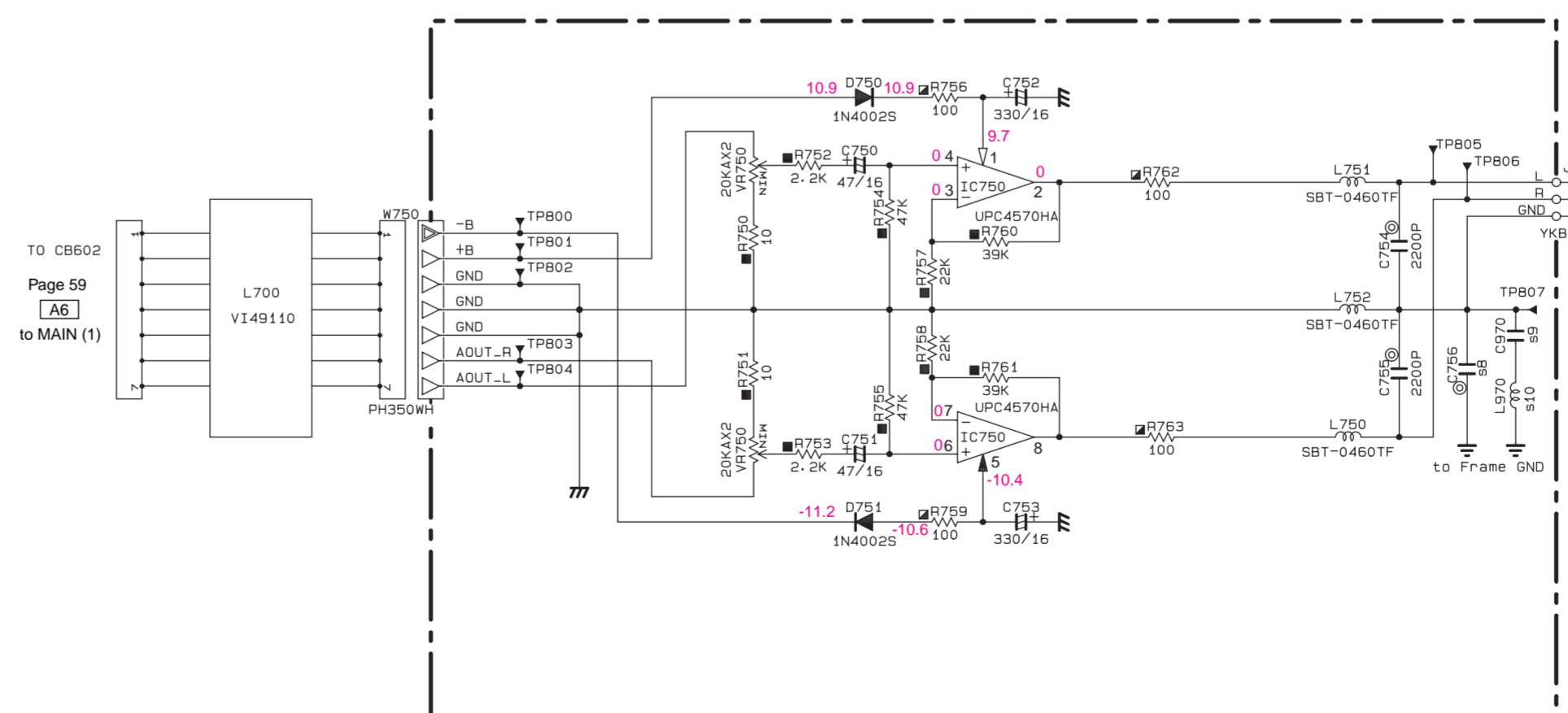
RESISTOR

REMARKS	PARTS NAME
NO MARK	CARBON FILM RESISTOR (P=5)
□	CARBON FILM RESISTOR (P=10)
△	METAL OXIDE FILM RESISTOR
▲	METAL FILM RESISTOR
⊠	METAL PLATE RESISTOR
▨	FIRE PROOF CARBON FILM RESISTOR
■	CEMENT MOLDED RESISTOR
▩	SEMI VARIABLE RESISTOR
⊞	CHIP RESISTOR

CAPACITOR

REMARKS	PARTS NAME
NO MARK	ELECTROLYTIC CAPACITOR
⊗	TANTALUM CAPACITOR
NO MARK	CERAMIC CAPACITOR
●	CERAMIC TUBULAR CAPACITOR
○	POLYESTER FILM CAPACITOR
○	POLYSTYRENE FILM CAPACITOR
⓪	MICA CAPACITOR
⊙	POLYPROPYLENE FILM CAPACITOR
⊚	SEMICONDUCTIVE CERAMIC CAPACITOR

NOTICE (model)
 (J)..... JAPAN
 (U)..... U.S. A
 (C)..... CANADA
 (R)..... GENERAL
 (T)..... CHINA
 (K)..... KOREA
 (A)..... AUSTRALIA
 (B)..... BRITISH
 (G)..... EUROPE
 (L)..... SINGAPORE

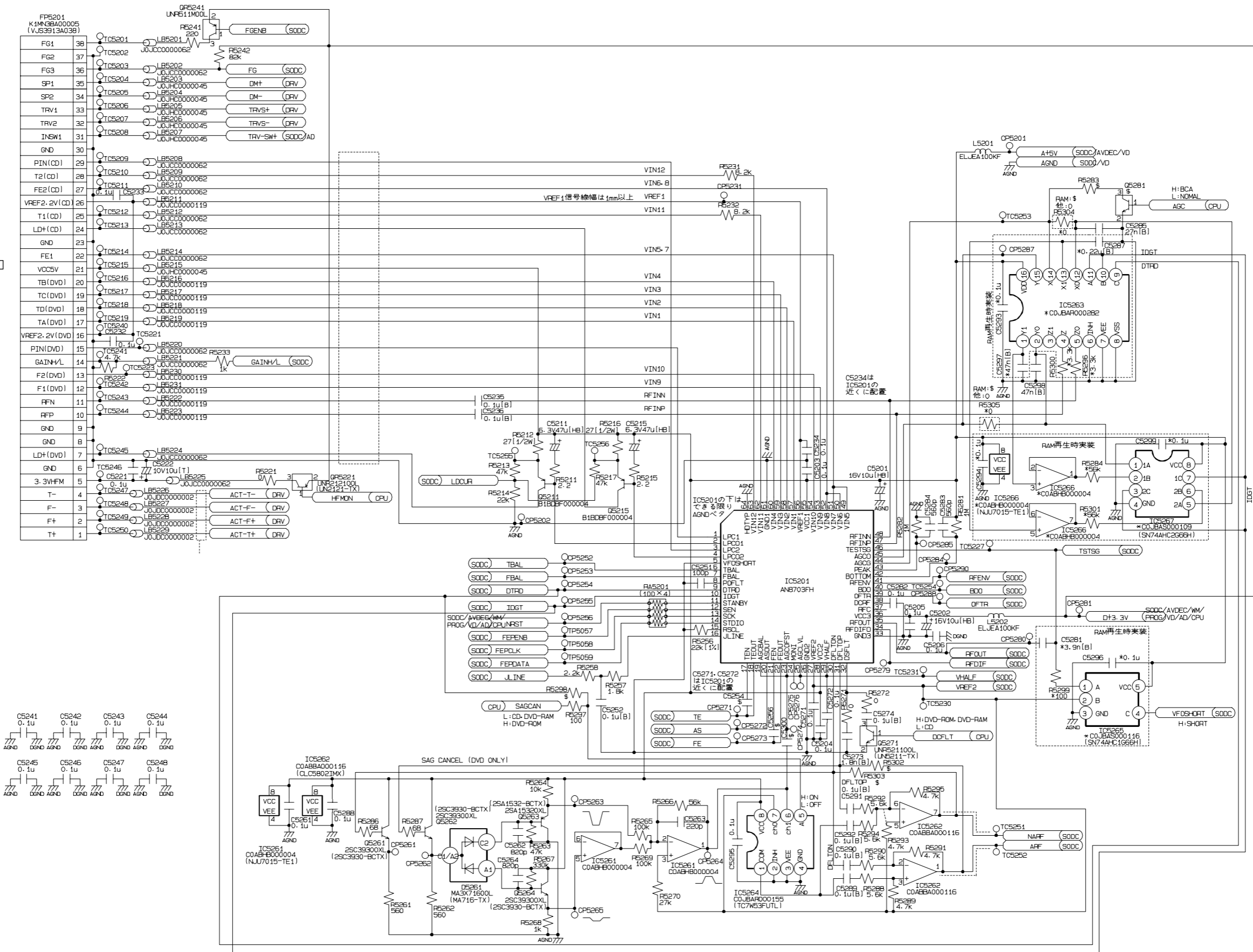


All voltage are measured with a 10M Ω DC electric volt meter.
 Components having special characteristics are marked with a symbol and must be replaced with parts having specifications equal to those originally installed.
 Schematic diagram is subject to change without notice.

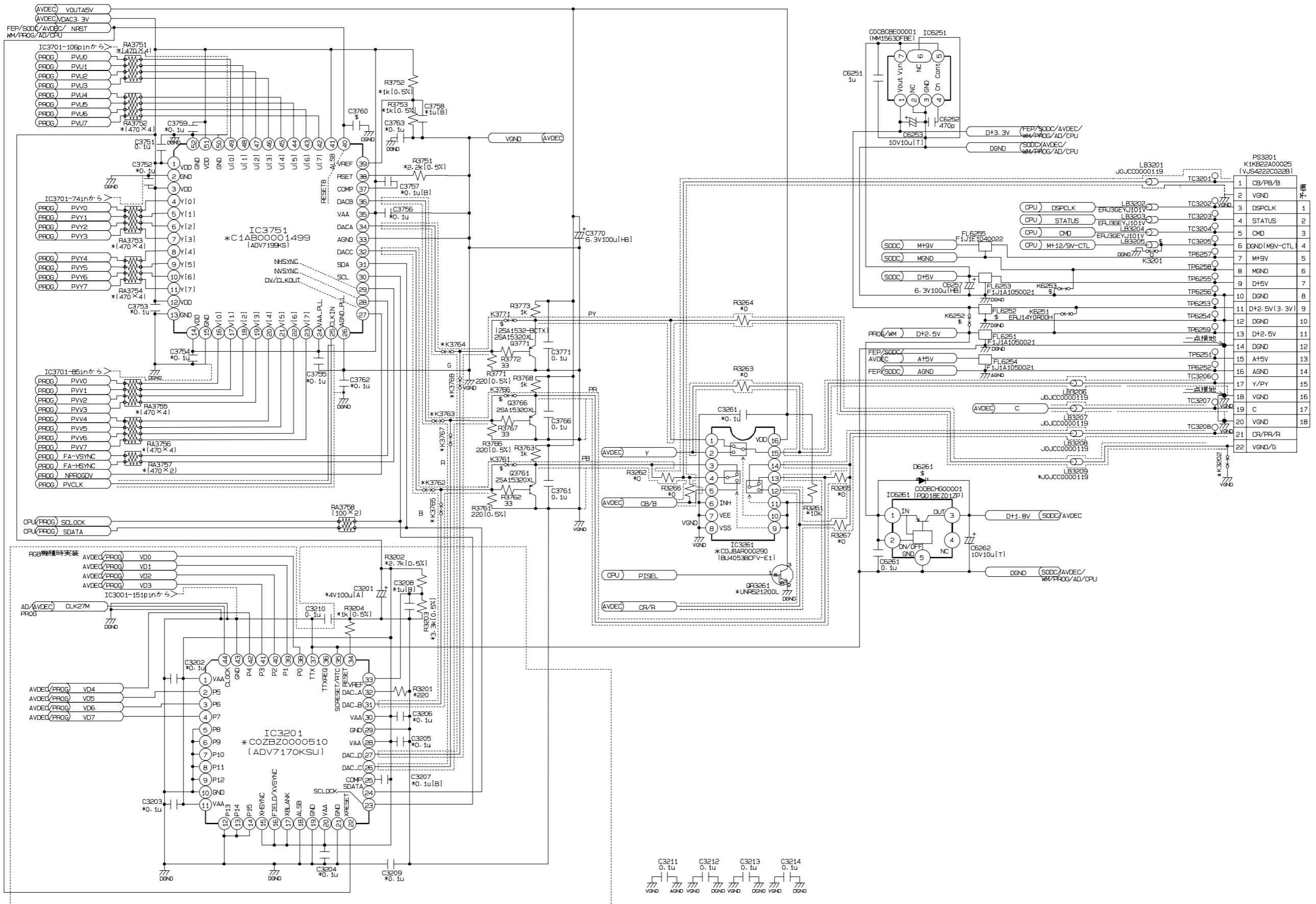
- 電圧は、内部抵抗10MΩの電圧計で測定したものです。
- 印のある部品は、安全性確保部品を示しています。部品の交換が必要な場合、マニュアルに記載されている部品を使用してください。
- 本回路図は標準回路図です。改良のため予告なく変更することがございます。

SCHEMATIC DIAGRAM (MODULE P.C.B. (1/8): FEP SECTION) U, J models

Page 56 A4 to SACD

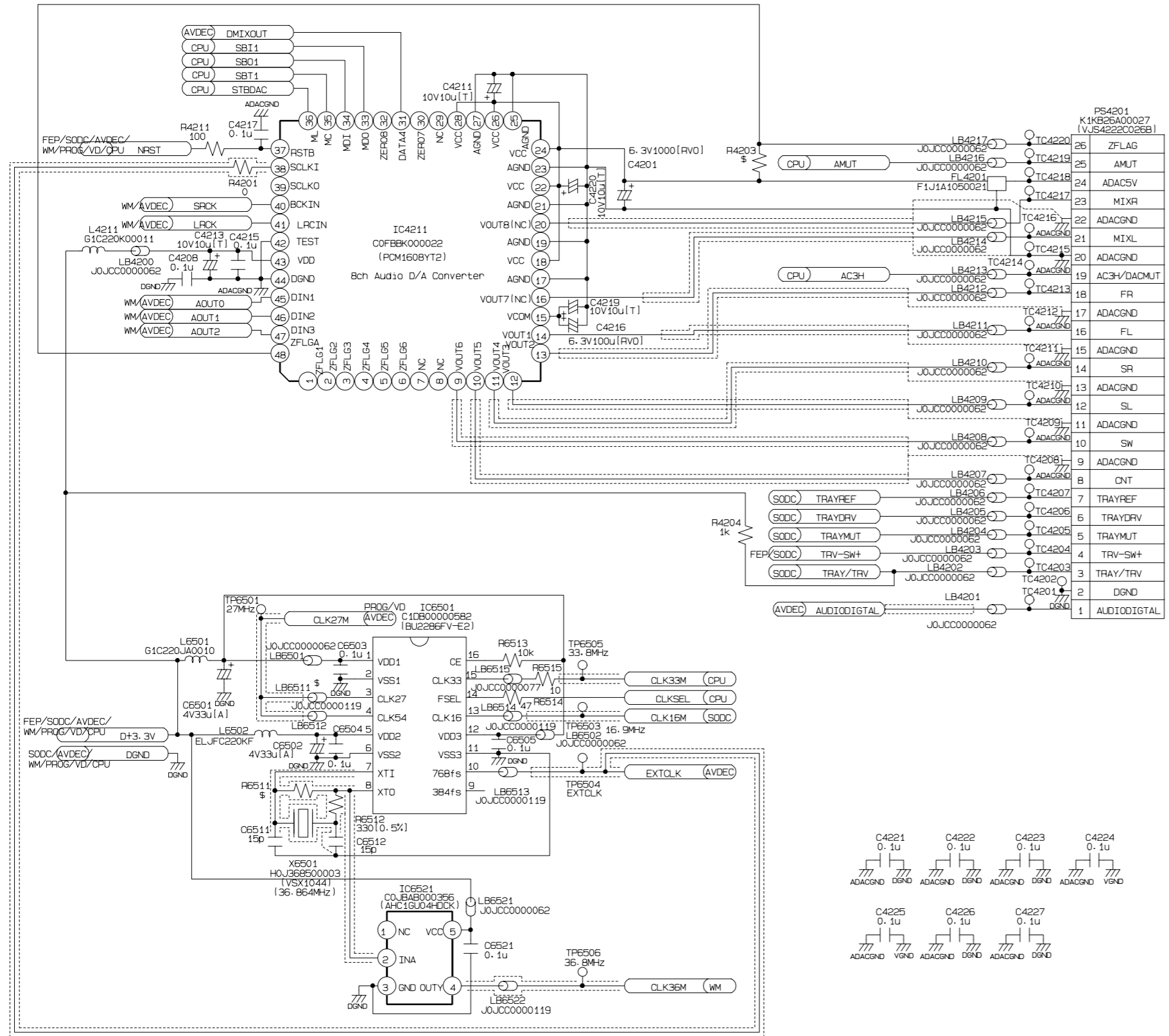


SCHEMATIC DIAGRAM (MODULE P.C.B. (5/8): VIDEO DAC SECTION) U, J models



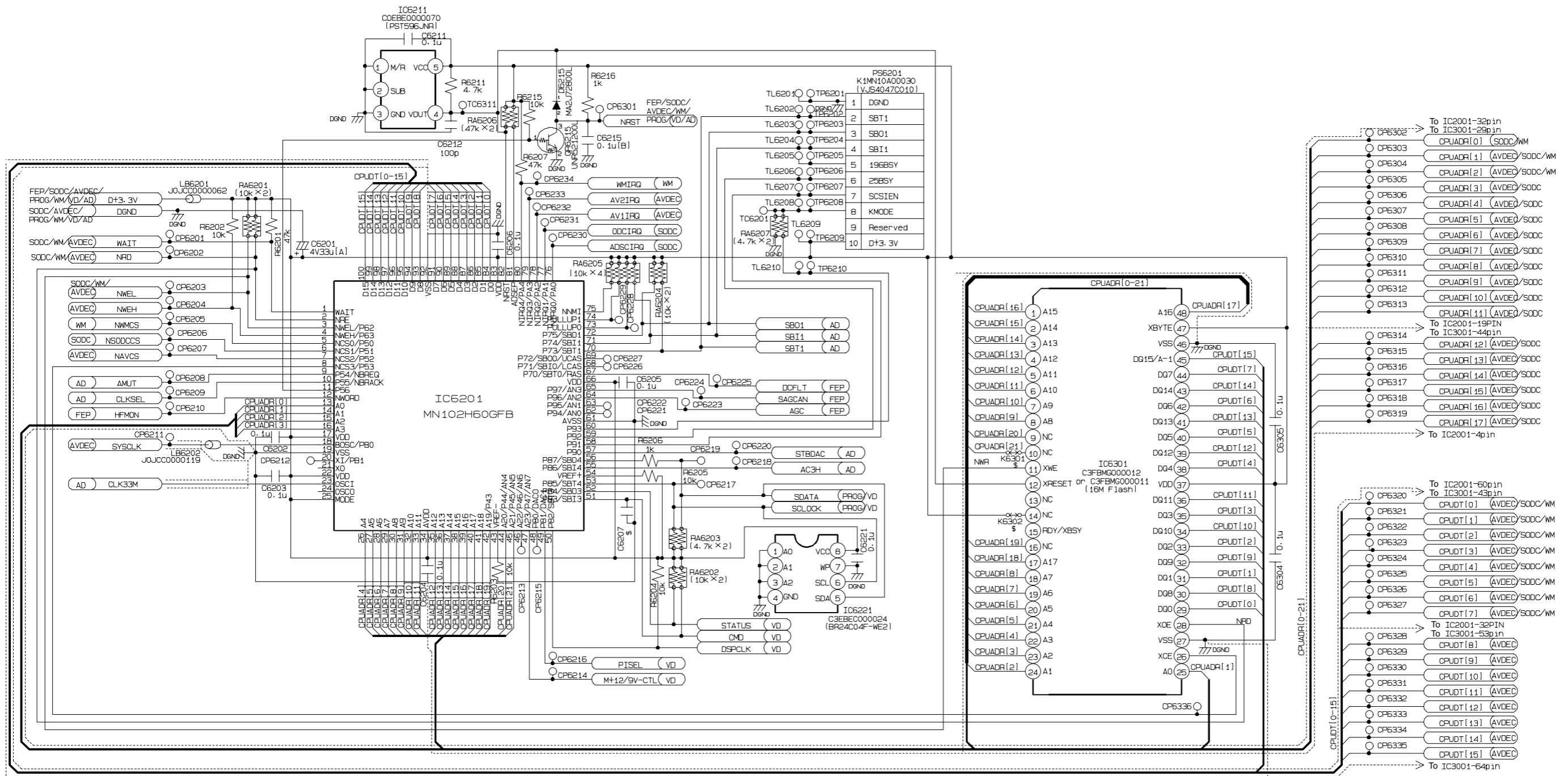
Page 58 [D6] to MAIN (1)

■ SCHEMATIC DIAGRAM (MODULE P.C.B. (6/8): AUDIO DAC SECTION) U, J models

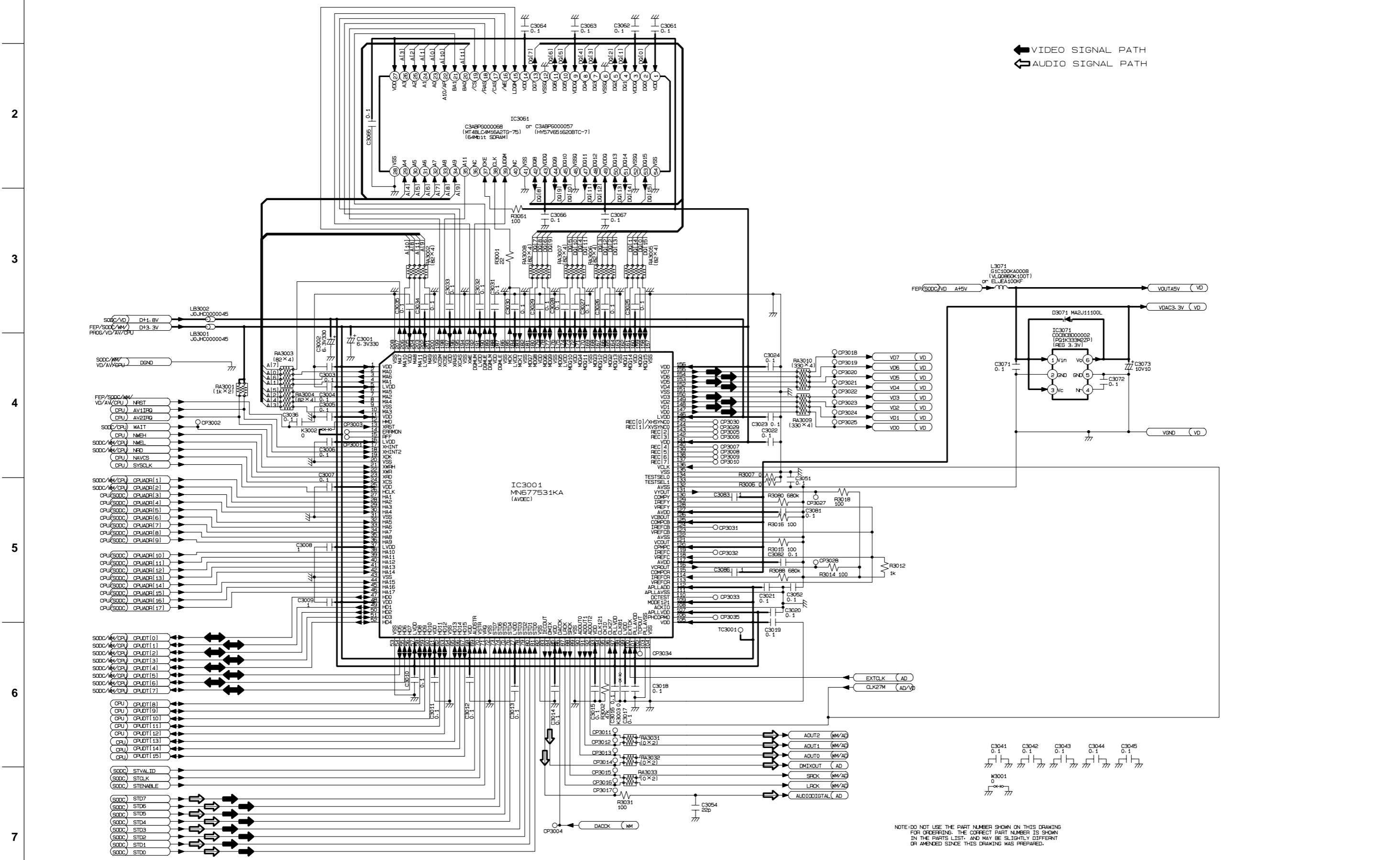


Page 58 [D3] to MAIN (1)

SCHEMATIC DIAGRAM (MODULE P.C.B. (8/8): CPU SECTION) U, J models



1 ■ SCHEMATIC DIAGRAM (MODULE P.C.B. (3/7): AVDEC SECTION) A, B, G models

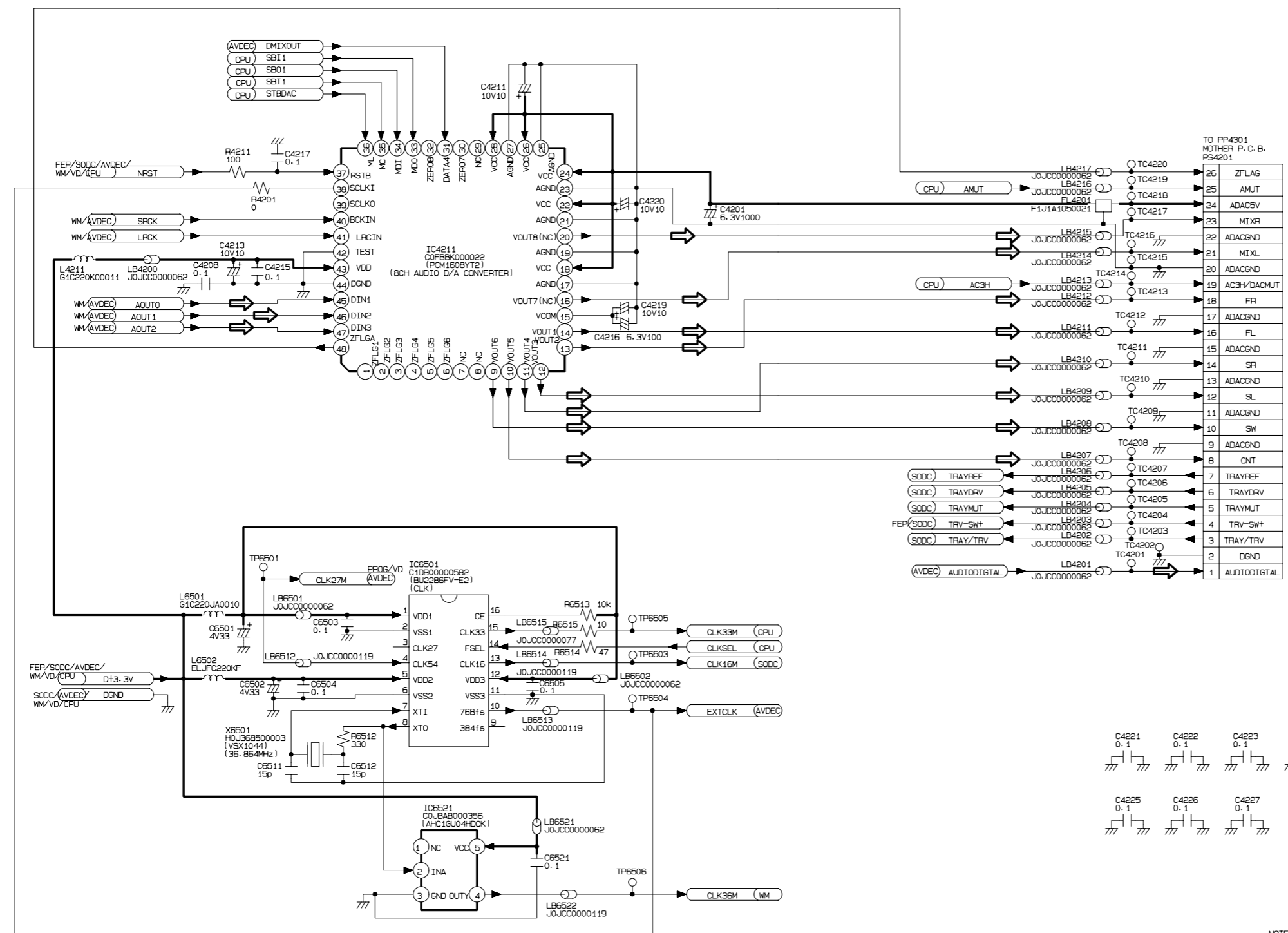


VIDEO SIGNAL PATH
 AUDIO SIGNAL PATH

NOTE: DO NOT USE THE PART NUMBER SHOWN ON THIS DRAWING FOR ORDERING. THE CORRECT PART NUMBER IS SHOWN IN THE PARTS LIST, AND MAY BE SLIGHTLY DIFFERENT OR AMENDED SINCE THIS DRAWING WAS PREPARED.

SCHEMATIC DIAGRAM (MODULE P.C.B. (5/7): AUDIO DAC SECTION) A, B, G models

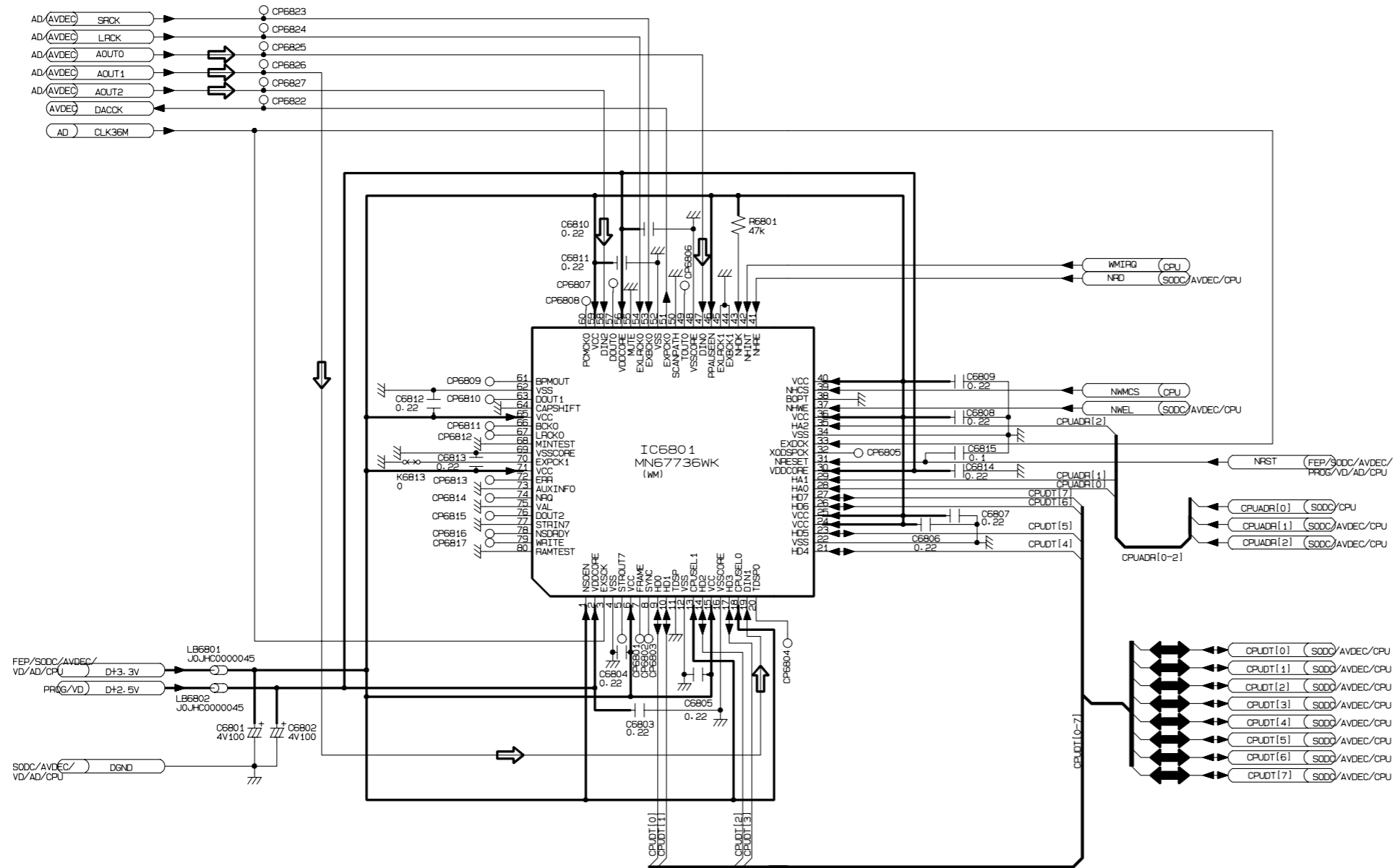
← AUDIO SIGNAL PATH



Page 58 D3 to MAIN (1)

SCHEMATIC DIAGRAM (MODULE P.C.B. (6/7): WM SECTION) A, B, G models

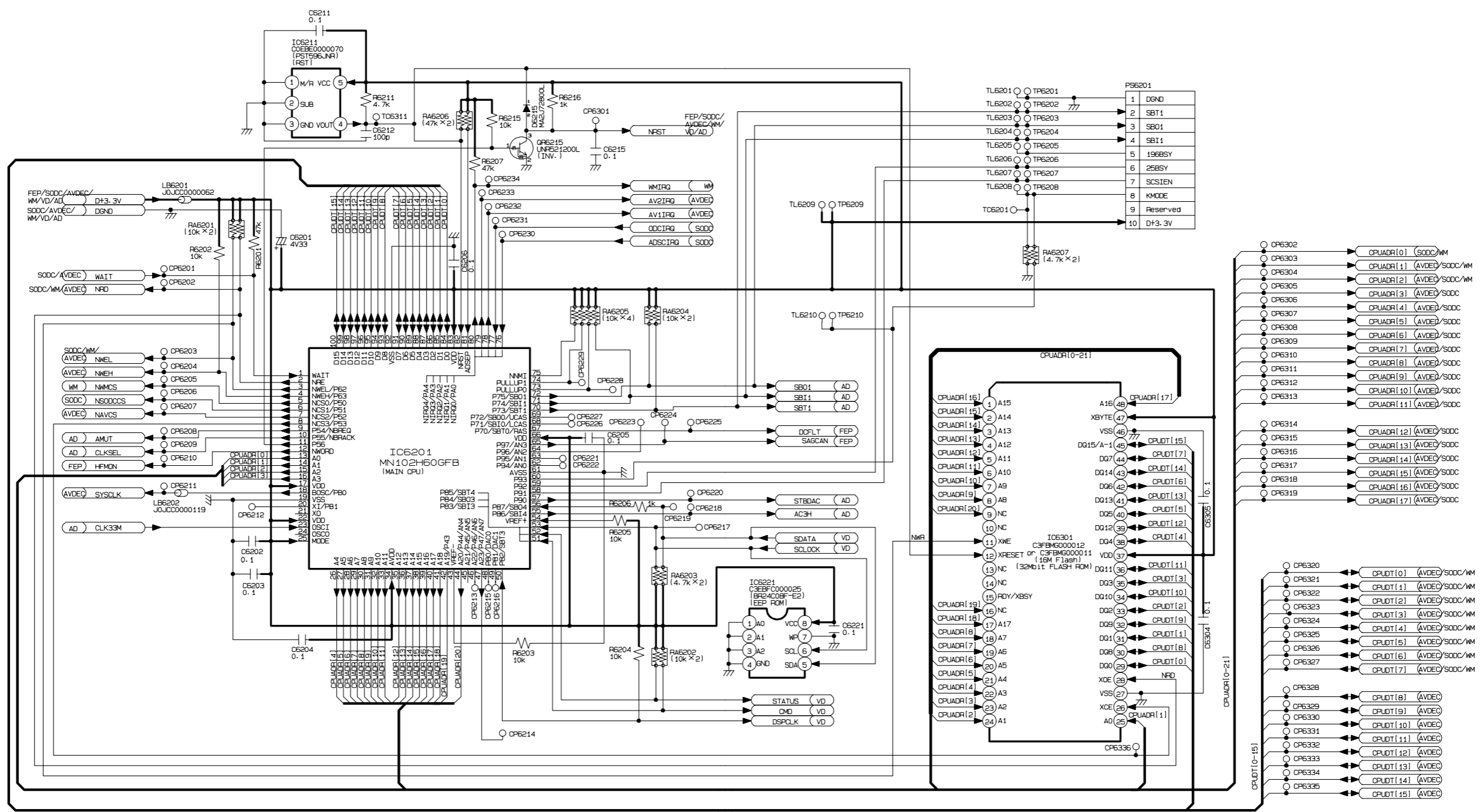
VIDEO SIGNAL PATH AUDIO SIGNAL PATH



NOTE: DO NOT USE THE PART NUMBER SHOWN ON THIS DRAWING FOR ORDERING. THE CORRECT PART NUMBER IS SHOWN IN THE PARTS LIST, AND MAY BE SLIGHTLY DIFFERENT OR AMENDED SINCE THIS DRAWING WAS PREPARED.

SCHEMATIC DIAGRAM (MODULE P.C.B. (7/7): CPU SECTION) A, B, G models

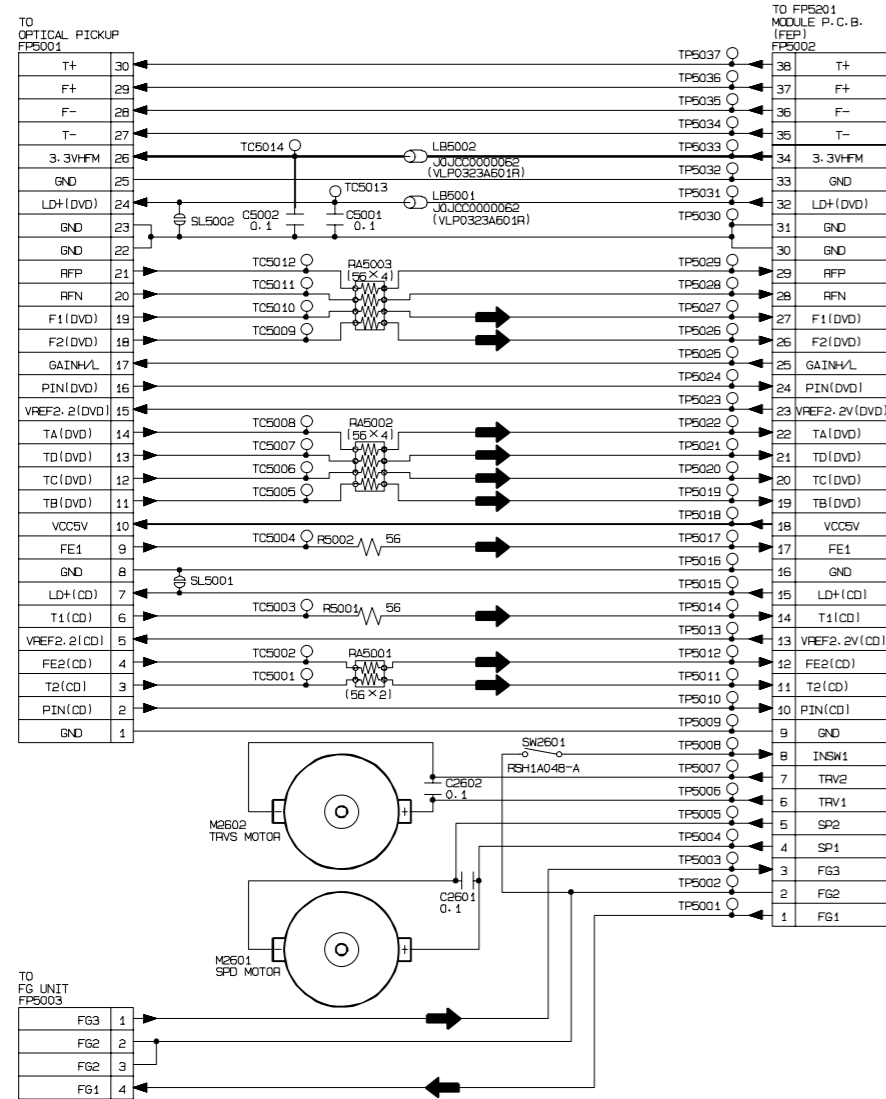
← MAIN SIGNAL PATH



NOTE: DO NOT USE THE PART NUMBER SHOWN ON THIS DRAWING FOR ORDERING. THE CORRECT PART NUMBER IS SHOWN IN THE PARTS LIST, AND MAY BE SLIGHTLY DIFFERENT OR AMENDED SINCE THIS DRAWING WAS PREPARED.

SCHEMATIC DIAGRAM (TERMINAL P.C.B.)

← MAIN SIGNAL PATH





Page 56 A2 to SACD

PARTS LIST

■ ELECTRICAL PARTS

■ WARNING

● Components having special characteristics are marked  and must be replaced with parts having specifications equal to those originally installed.

● 印のある部分は、安全確保部品を示しています。部品の交換が必要な場合、パーツリストに記載されている部品を使用してください。

● 部品価格ランクは、予告なく変更することがあります。

ABBREVIATIONS IN THIS LIST ARE AS FOLLOWS:

C.A.EL.CHP	: CHIP ALUMI.ELECTROLYTIC CAP	L.EMIT	: LIGHT EMITTING MODULE
C.CE	: CERAMIC CAP	LED.DSPLY	: LED DISPLAY
C.CE.ARRAY	: CERAMIC CAP ARRAY	LED.INFRD	: LED,INFRARED
C.CE.CHP	: CHIP CERAMIC CAP	MODUL.RF	: MODULATOR,RF
C.CE.ML	: MULTILAYER CERAMIC CAP	PHOT.CPL	: PHOTO COUPLER
C.CE.M.CHP	: CHIP MULTILAYER CERAMIC CAP	PHOT.INTR	: PHOTO INTERRUPTER
C.CE.SAFTY	: RECOGNIZED CERAMIC CAP	PHOT.RFLCT	: PHOTO REFLECTOR
C.CE.TUBLR	: CERAMIC TUBULAR CAP	PIN.TEST	: PIN,TEST POINT
C.CE.SMI	: SEMI CONDUCTIVE CERAMIC CAP	PLST.RIVET	: PLASTIC RIVET
C.EL	: ELECTROLYTIC CAP	R.ARRAY	: RESISTOR ARRAY
C.MICA	: MICA CAP	R.CAR.	: CARBON RESISTOR
C.ML.FLM	: MULTILAYER FILM CAP	R.CAR.CHP	: CHIP RESISTOR
C.MP	: METALLIZED PAPER CAP	R.CAR.FP	: FLAME PROOF CARBON RESISTOR
C.MYLAR	: MYLAR FILM CAP	R.FUS	: FUSABLE RESISTOR
C.MYLAR.ML	: MULTILAYER MYLAR FILM CAP	R.MTL.CHP	: CHIP METAL FILM RESISTOR
C.PAPER	: PAPER CAPACITOR	R.MTL.FLM	: METAL FILM RESISTOR
C.PLS	: POLYSTYRENE FILM CAP	R.MTL.OXD	: METAL OXIDE FILM RESISTOR
C.POL	: POLYESTER FILM CAP	R.MTL.PLAT	: METAL PLATE RESISTOR
C.POLY	: POLYETHYLENE FILM CAP	RSNR.CE	: CERAMIC RESONATOR
C.PP	: POLYPROPYLENE FILM CAP	RSNR.CRYS	: CRYSTAL RESONATOR
C.TNTL	: TANTALUM CAP	R.TW.CEM	: TWIN CEMENT FIXED RESISTOR
C.TNTL.CHP	: CHIP TANTALUM CAP	R.WW	: WIRE WOUND RESISTOR
C.TRIM	: TRIMMER CAP	SCR.BND.HD	: BIND HEAD B-TITE SCREW
CN	: CONNECTOR	SCR.BW.HD	: BW HEAD TAPPING SCREW
CN.BS.PIN	: CONNECTOR,BASE PIN	SCR.CUP	: CUP TITE SCREW
CN.CANNON	: CONNECTOR,CANNON	SCR.TERM	: SCREW TERMINAL
CN.DIN	: CONNECTOR,DIN	SCR.TR	: SCREW,TRANSISTOR
CN.FLAT	: CONNECTOR,FLAT CABLE	SUPRT.PCB	: SUPPORT,P.C.B.
CN.POST	: CONNECTOR,BASE POST	SURG.PRTCT	: SURGE PROTECTOR
COIL.MX.AM	: COIL,AM MIX	SW.TACT	: TACT SWITCH
COIL.AT.FM	: COIL,FM ANTENNA	SW.LEAF	: LEAF SWITCH
COIL.DT.FM	: COIL,FM DETECT	SW.LEVER	: LEVER SWITCH
COIL.MX.FM	: COIL,FM MIX	SW.MICRO	: MICRO SWITCH
COIL.OUTPT	: OUTPUT COIL	SW.PUSH	: PUSH SWITCH
DIOD.ARRAY	: DIODE ARRAY	SW.RT.ENC	: ROTARY ENCODER
DIODE.BRG	: DIODE BRIDGE	SW.RT.MTR	: ROTARY SWITCH WITH MOTOR
DIODE.CHP	: CHIP DIODE	SW.RT	: ROTARY SWITCH
DIODE.VAR	: VARACTOR DIODE	SW.SLIDE	: SLIDE SWITCH
DIOD.Z.CHP	: CHIP ZENER DIODE	TERM.SP	: SPEAKER TERMINAL
DIODE.ZENR	: ZENER DIODE	TERM.WRAP	: WRAPPING TERMINAL
DSCR.CE	: CERAMIC DISCRIMINATOR	THRMST.CHP	: CHIP THERMISTOR
FER.BEAD	: FERRITE BEADS	TR.CHP	: CHIP TRANSISTOR
FER.CORE	: FERRITE CORE	TR.DGT	: DIGITAL TRANSISTOR
FET.CHP	: CHIP FET	TR.DGT.CHP	: CHIP DIGITAL TRANSISTOR
FL.DSPLY	: FLUORESCENT DISPLAY	TRANS	: TRANSFORMER
FLTR.CE	: CERAMIC FILTER	TRANS.PULS	: PULSE TRANSFORMER
FLTR.COMB	: COMB FILTER MODULE	TRANS.PWR	: POWER TRANSFORMER ASS'Y
FLTR.LC.RF	: LC FILTER,EMI	TUNER.AM	: TUNER PACK,AM
GND.MTL	: GROUND PLATE	TUNER.FM	: TUNER PACK,FM
GND.TERM	: GROUND TERMINAL	TUNER.PK	: FRONT-ENDTUNER PACK
HOLDER.FUS	: FUSE HOLDER	VR	: ROTARY POTENTIOMETER
IC.PRTCT	: IC PROTECTOR	VR.MTR	: POTENTIOMETER WITH MOTOR
JUMPER.CN	: JUMPER CONNECTOR	VR.SW	: POTENTIOMETER WITH ROTARY SW
JUMPER.TST	: JUMPER,TEST POINT	VR.SLIDE	: SLIDE POTENTIOMETER
L.DTCT	: LIGHT DETECTING MODULE	VR.TRIM	: TRIMMER POTENTIOMETER

Note) Those parts marked with “#” are not included in the P.C.B. ass'y.

P.C.B. SACD

Schm Ref.	PART NO.	Description	Remarks	Markets	部 品 名	Rank
	WA148200	P. C. B.	SACD	J	P C B S A C D	
	WA148300	P. C. B.	SACD	U	P C B S A C D	
	WA148400	P. C. B.	SACD	A	P C B S A C D	
	WA148500	P. C. B.	SACD	BG	P C B S A C D	
* CB1	V9016700	CN	38P TE FMN		FMNコネクター	03
* CB2	VT388500	CN.BS.PIN	4P TE		ベース付ポスト	01
* CB3	V9016700	CN	38P TE FMN		FMNコネクター	03
* CB6	VT388300	CN.BS.PIN	2P		ベース付ポスト	
* CB10	WA014000	CN	14P TE FMN		FMNコネクター	01
* CB11	V2773800	CN.BS.PIN	35P		F F Cコネクター	03
* CB12	VT388900	CN.BS.PIN	8P TE		ベース付ポスト	01
* CB13	V2773600	CN.BS.PIN	15P		F F Cコネクター	01
C1	V9543900	C.CE.CHP	4.7uF 6.3V		チップセラコン	
C2	V9543900	C.CE.CHP	4.7uF 6.3V		チップセラコン	
C3	UF037100	C.EL.CHP	10uF 16V		チップケミコン	01
C4	US135100	C.CE.CHP	0.1uF 16V		チップセラコン	01
C5	US135100	C.CE.CHP	0.1uF 16V		チップセラコン	01
C6	US135100	C.CE.CHP	0.1uF 16V		チップセラコン	01
C7	US135100	C.CE.CHP	0.1uF 16V		チップセラコン	01
C8	US135100	C.CE.CHP	0.1uF 16V		チップセラコン	01
C9	US135100	C.CE.CHP	0.1uF 16V		チップセラコン	01
C10	US135100	C.CE.CHP	0.1uF 16V		チップセラコン	01
C11	US135100	C.CE.CHP	0.1uF 16V		チップセラコン	01
C12	US135100	C.CE.CHP	0.1uF 16V		チップセラコン	01
C13	UF037100	C.EL.CHP	10uF 16V		チップケミコン	01
C14	US135100	C.CE.CHP	0.1uF 16V		チップセラコン	01
C15	US135100	C.CE.CHP	0.1uF 16V		チップセラコン	01
C16	US135100	C.CE.CHP	0.1uF 16V		チップセラコン	01
C17	US135100	C.CE.CHP	0.1uF 16V		チップセラコン	01
C18	US135100	C.CE.CHP	0.1uF 16V		チップセラコン	01
C19	US135100	C.CE.CHP	0.1uF 16V		チップセラコン	01
C20	US062820	C.CE.CHP	820pF 50V		チップセラ (B)	01
C21	US062820	C.CE.CHP	820pF 50V		チップセラ (B)	01
C22	UF017470	C.EL.CHP	47uF 6.3V		チップケミコン	01
C23	US062220	C.CE.CHP	220pF 50V		チップセラコン	01
C24	UF017470	C.EL.CHP	47uF 6.3V		チップケミコン	01
C25	US135100	C.CE.CHP	0.1uF 16V		チップセラコン	01
C26	US062100	C.CE.M.CHP	100pF 50V		チップセラコン	01
C27	US135100	C.CE.CHP	0.1uF 16V		チップセラコン	01
C28	US135100	C.CE.CHP	0.1uF 16V		チップセラコン	01
C29	US135100	C.CE.CHP	0.1uF 16V		チップセラコン	01
C30	US135100	C.CE.CHP	0.1uF 16V		チップセラコン	01
C31	US135100	C.CE.CHP	0.1uF 16V		チップセラコン	01
C32	US135100	C.CE.CHP	0.1uF 16V		チップセラコン	01
C33	US135100	C.CE.CHP	0.1uF 16V		チップセラコン	01
C34	US135100	C.CE.CHP	0.1uF 16V		チップセラコン	01
C35	US135100	C.CE.CHP	0.1uF 16V		チップセラコン	01
C36	US135100	C.CE.CHP	0.1uF 16V		チップセラコン	01
C37	US063180	C.CE.CHP	1800pF 50V		チップセラコン	01
C38	US135100	C.CE.CHP	0.1uF 16V		チップセラコン	01
C39	US135100	C.CE.CHP	0.1uF 16V		チップセラコン	01
C40	US135100	C.CE.CHP	0.1uF 16V		チップセラコン	01
C41	US135100	C.CE.CHP	0.1uF 16V		チップセラコン	01

* New Parts * 新規部品(マーク#の部品は、基板に含まれません)

Note) Those parts marked with “#” are not included in the P.C.B. ass'y.

P.C.B. SACD

Schm Ref.	PART NO.	Description	Remarks	Markets	部 品 名	Rank	
C42	US062560	C. CE. CHP	560pF	50V		チップセラ (S L)	01
C43	UF037100	C. EL. CHP	10uF	16V		チップケミコン	01
C44	US135100	C. CE. CHP	0.1uF	16V		チップセラコン	01
C45	US135100	C. CE. CHP	0.1uF	16V		チップセラコン	01
C46	US063390	C. CE. CHP	3900pF	50V		チップセラコン	01
C47	US063270	C. CE. M. CHP	2700pF	50V		チップセラ (B)	01
C48	US135100	C. CE. CHP	0.1uF	16V		チップセラコン	01
C49	US063470	C. CE. CHP	4700pF	50V		チップセラコン	01
C50	US062560	C. CE. CHP	560pF	50V		チップセラ (S L)	01
C51	US062100	C. CE. M. CHP	100pF	50V		チップセラコン	01
C52	US135100	C. CE. CHP	0.1uF	16V		チップセラコン	01
C53	US135100	C. CE. CHP	0.1uF	16V		チップセラコン	01
C54	US135100	C. CE. CHP	0.1uF	16V		チップセラコン	01
C55	US135100	C. CE. CHP	0.1uF	16V		チップセラコン	01
* C56	UF007330	C. EL. CHP	33uF	4V		チップケミコン	01
C57	US135100	C. CE. CHP	0.1uF	16V		チップセラコン	01
C58	US135100	C. CE. CHP	0.1uF	16V		チップセラコン	01
C59	US135100	C. CE. CHP	0.1uF	16V		チップセラコン	01
C60	UF008100	C. EL. CHP	100uF	4V		チップケミコン	01
C61	US135100	C. CE. CHP	0.1uF	16V		チップセラコン	01
C62	US135100	C. CE. CHP	0.1uF	16V		チップセラコン	01
C63	US135100	C. CE. CHP	0.1uF	16V		チップセラコン	01
C64	US135100	C. CE. CHP	0.1uF	16V		チップセラコン	01
C65	US135100	C. CE. CHP	0.1uF	16V		チップセラコン	01
C66	US135100	C. CE. CHP	0.1uF	16V		チップセラコン	01
C67	US062100	C. CE. M. CHP	100pF	50V		チップセラコン	01
C68	US135100	C. CE. CHP	0.1uF	16V		チップセラコン	01
C69	US135100	C. CE. CHP	0.1uF	16V		チップセラコン	01
C70	US135100	C. CE. CHP	0.1uF	16V		チップセラコン	01
C71	US135100	C. CE. CHP	0.1uF	16V		チップセラコン	01
C72	US135100	C. CE. CHP	0.1uF	16V		チップセラコン	01
C73	US135100	C. CE. CHP	0.1uF	16V		チップセラコン	01
C74	US135100	C. CE. CHP	0.1uF	16V		チップセラコン	01
C75	US135100	C. CE. CHP	0.1uF	16V		チップセラコン	01
C76	US135100	C. CE. CHP	0.1uF	16V		チップセラコン	01
C77	US063820	C. CE. CHP	8200pF	50V		チップセラコン	01
C78	US034390	C. CE. M. CHP	0.039uF	16V		チップセラコン	01
C79	US135100	C. CE. CHP	0.1uF	16V		チップセラコン	01
C80	US135100	C. CE. CHP	0.1uF	16V		チップセラコン	01
C81	US135100	C. CE. CHP	0.1uF	16V		チップセラコン	01
C82	US135100	C. CE. CHP	0.1uF	16V		チップセラコン	01
C83	US135100	C. CE. CHP	0.1uF	16V		チップセラコン	01
C85	US135100	C. CE. CHP	0.1uF	16V		チップセラコン	01
C86	US135100	C. CE. CHP	0.1uF	16V		チップセラコン	01
C87	US135100	C. CE. CHP	0.1uF	16V		チップセラコン	01
C88	US135100	C. CE. CHP	0.1uF	16V		チップセラコン	01
C89	US135100	C. CE. CHP	0.1uF	16V		チップセラコン	01
C90	US135100	C. CE. CHP	0.1uF	16V		チップセラコン	01
C91	US064100	C. CE. M. CHP	0.01uF	50V		チップセラコン	01
C92	US135100	C. CE. CHP	0.1uF	16V		チップセラコン	01
C95	US135100	C. CE. CHP	0.1uF	16V		チップセラコン	01
C96	US135100	C. CE. CHP	0.1uF	16V		チップセラコン	01
C97	US063100	C. CE. M. CHP	1000pF	50V		チップセラコン	01

* New Parts * 新規部品(マーク#の部品は、基板に含まれません)

Note) Those parts marked with “#” are not included in the P.C.B. ass'y.

P.C.B. SACD

Schm Ref.	PART NO.	Description	Remarks	Markets	部 品 名	Rank	
C98	US135100	C. CE. CHP	0. 1uF	16V		チップセラコン	01
C99	US135100	C. CE. CHP	0. 1uF	16V		チップセラコン	01
C100	US135100	C. CE. CHP	0. 1uF	16V		チップセラコン	01
C101	US061680	C. CE. CHP	68pF	50V		チップセラコン	01
C102	US063470	C. CE. CHP	4700pF	50V		チップセラコン	01
C103	US062330	C. CE. M. CHP	330pF	50V		チップセラコン	01
C104	US063100	C. CE. M. CHP	1000pF	50V		チップセラコン	01
C105	US063680	C. CE. CHP	6800pF	50V		チップセラコン	01
C106	US062680	C. CE. M. CHP	680pF	50V		チップセラコン	01
C107	US034330	C. CE. M. CHP	0. 033uF	16V		チップセラ (B)	01
C108	US135100	C. CE. CHP	0. 1uF	16V		チップセラコン	01
C109	US062390	C. CE. CHP	390P	50V		チップセラ (S L)	01
C110	US062100	C. CE. M. CHP	100pF	50V		チップセラコン	01
C111	US062330	C. CE. M. CHP	330pF	50V		チップセラコン	01
* C112	US064150	C. CE. M. CHP	0. 015uF	50V		チップセラコン	01
C113	US062390	C. CE. CHP	390P	50V		チップセラ (S L)	01
C114	US064100	C. CE. M. CHP	0. 01uF	50V		チップセラコン	01
C115	US063470	C. CE. CHP	4700pF	50V		チップセラコン	01
C116	US063470	C. CE. CHP	4700pF	50V		チップセラコン	01
C117	US063100	C. CE. M. CHP	1000pF	50V		チップセラコン	01
C118	US063100	C. CE. M. CHP	1000pF	50V		チップセラコン	01
C119	US063100	C. CE. M. CHP	1000pF	50V		チップセラコン	01
C120	US062330	C. CE. M. CHP	330pF	50V		チップセラコン	01
C121	US062330	C. CE. M. CHP	330pF	50V		チップセラコン	01
C122	US063100	C. CE. M. CHP	1000pF	50V		チップセラコン	01
C123	US063270	C. CE. M. CHP	2700pF	50V		チップセラ (B)	01
C124	US063270	C. CE. M. CHP	2700pF	50V		チップセラ (B)	01
C125	US063100	C. CE. M. CHP	1000pF	50V		チップセラコン	01
C126	US062820	C. CE. CHP	820pF	50V		チップセラ (B)	01
C127	US135100	C. CE. CHP	0. 1uF	16V		チップセラコン	01
C128	UF037470	C. EL. CHP	47uF	16V		チップケミコン	01
C129	US135100	C. CE. CHP	0. 1uF	16V		チップセラコン	01
C130	UF118470	C. EL. CHP	470uF	6. 3V		チップケミコン	01
C131	US135100	C. CE. CHP	0. 1uF	16V		チップセラコン	01
C132	US135100	C. CE. CHP	0. 1uF	16V		チップセラコン	01
C133	US135100	C. CE. CHP	0. 1uF	16V		チップセラコン	01
C134	UF038100	C. EL. CHP	100uF	16V		チップケミコン	01
C135	US135100	C. CE. CHP	0. 1uF	16V		チップセラコン	01
C136	US135100	C. CE. CHP	0. 1uF	16V		チップセラコン	01
C137	US135100	C. CE. CHP	0. 1uF	16V		チップセラコン	01
C138	US135100	C. CE. CHP	0. 1uF	16V		チップセラコン	01
C139	US135100	C. CE. CHP	0. 1uF	16V		チップセラコン	01
C140	US135100	C. CE. CHP	0. 1uF	16V		チップセラコン	01
C141	US135100	C. CE. CHP	0. 1uF	16V		チップセラコン	01
C142	US135100	C. CE. CHP	0. 1uF	16V		チップセラコン	01
C143	US135100	C. CE. CHP	0. 1uF	16V		チップセラコン	01
C144	US135100	C. CE. CHP	0. 1uF	16V		チップセラコン	01
C145	US135100	C. CE. CHP	0. 1uF	16V		チップセラコン	01
C146	US135100	C. CE. CHP	0. 1uF	16V		チップセラコン	01
C147	UF008100	C. EL. CHP	100uF	4V		チップケミコン	01
C148	US135100	C. CE. CHP	0. 1uF	16V		チップセラコン	01
C149	US135100	C. CE. CHP	0. 1uF	16V		チップセラコン	01
C150	US135100	C. CE. CHP	0. 1uF	16V		チップセラコン	01

* New Parts * 新規部品(マーク#の部品は、基板に含まれません)

Note) Those parts marked with “#” are not included in the P.C.B. ass'y.

P.C.B. SACD

Schm Ref.	PART NO.	Description	Remarks	Markets	部 品 名	Rank	
C151	US135100	C. CE. CHP	0.1uF	16V		チップセラコン	01
C152	UF008100	C. EL. CHP	100uF	4V		チップケミコン	01
C153	US062100	C. CE. M. CHP	100pF	50V		チップセラコン	01
C154	UF017470	C. EL. CHP	47uF	6.3V		チップケミコン	01
C155	UF118470	C. EL. CHP	470uF	6.3V		チップケミコン	01
C156	UF118470	C. EL. CHP	470uF	6.3V		チップケミコン	01
C157	UF118470	C. EL. CHP	470uF	6.3V		チップケミコン	01
C158	UF017470	C. EL. CHP	47uF	6.3V		チップケミコン	01
C159	UF017470	C. EL. CHP	47uF	6.3V		チップケミコン	01
C160	US135100	C. CE. CHP	0.1uF	16V		チップセラコン	01
C161	US060800	C. CE. CHP	8pF	50V		チップセラコン	01
C163	US135100	C. CE. CHP	0.1uF	16V		チップセラコン	01
C165	UF017470	C. EL. CHP	47uF	6.3V		チップケミコン	01
C166	US135100	C. CE. CHP	0.1uF	16V		チップセラコン	01
C167	US135100	C. CE. CHP	0.1uF	16V		チップセラコン	01
C168	US135100	C. CE. CHP	0.1uF	16V		チップセラコン	01
C169	UF017470	C. EL. CHP	47uF	6.3V		チップケミコン	01
C170	US135100	C. CE. CHP	0.1uF	16V		チップセラコン	01
C171	US135100	C. CE. CHP	0.1uF	16V		チップセラコン	01
C172	US135100	C. CE. CHP	0.1uF	16V		チップセラコン	01
C173	US135100	C. CE. CHP	0.1uF	16V		チップセラコン	01
C174	US135100	C. CE. CHP	0.1uF	16V		チップセラコン	01
C175	US135100	C. CE. CHP	0.1uF	16V		チップセラコン	01
C176	UF008100	C. EL. CHP	100uF	4V		チップケミコン	01
C177	US135100	C. CE. CHP	0.1uF	16V		チップセラコン	01
C179	US135100	C. CE. CHP	0.1uF	16V		チップセラコン	01
C180	US135100	C. CE. CHP	0.1uF	16V		チップセラコン	01
C181	US135100	C. CE. CHP	0.1uF	16V		チップセラコン	01
C201	US135100	C. CE. CHP	0.1uF	16V		チップセラコン	01
C202	US135100	C. CE. CHP	0.1uF	16V		チップセラコン	01
C203	US135100	C. CE. CHP	0.1uF	16V		チップセラコン	01
C204	US135100	C. CE. CHP	0.1uF	16V		チップセラコン	01
C205	US135100	C. CE. CHP	0.1uF	16V		チップセラコン	01
C206	US135100	C. CE. CHP	0.1uF	16V		チップセラコン	01
C207	US135100	C. CE. CHP	0.1uF	16V		チップセラコン	01
C208	US135100	C. CE. CHP	0.1uF	16V		チップセラコン	01
C211	UF037100	C. EL. CHP	10uF	16V		チップケミコン	01
C212	US135100	C. CE. CHP	0.1uF	16V		チップセラコン	01
C217	US135100	C. CE. CHP	0.1uF	16V		チップセラコン	01
C221	US135100	C. CE. CHP	0.1uF	16V		チップセラコン	01
C222	UF037100	C. EL. CHP	10uF	16V		チップケミコン	01
C223	UF037100	C. EL. CHP	10uF	16V		チップケミコン	01
C224	UF037100	C. EL. CHP	10uF	16V		チップケミコン	01
C225	US135100	C. CE. CHP	0.1uF	16V		チップセラコン	01
C226	US135100	C. CE. CHP	0.1uF	16V		チップセラコン	01
C229	V3480600	C. CE. CHP	1uF	10V		チップセラ	01
C230	US135100	C. CE. CHP	0.1uF	16V		チップセラコン	01
C231	US135100	C. CE. CHP	0.1uF	16V		チップセラコン	01
C232	US135100	C. CE. CHP	0.1uF	16V		チップセラコン	01
C233	US135100	C. CE. CHP	0.1uF	16V		チップセラコン	01
C235	US062100	C. CE. M. CHP	100pF	50V		チップセラコン	01
C236	US135100	C. CE. CHP	0.1uF	16V		チップセラコン	01
C238	US062100	C. CE. M. CHP	100pF	50V		チップセラコン	01

* New Parts * 新規部品(マーク#の部品は、基板に含まれません)

Note) Those parts marked with “#” are not included in the P.C.B. ass'y.

P.C.B. SACD

Schm Ref.	PART NO.	Description	Remarks	Markets	部 品 名	Rank
C250	US060800	C. CE. CHP	8pF 50V		チップセラコン	01
C251	US135100	C. CE. CHP	0.1uF 16V		チップセラコン	01
C252	US135100	C. CE. CHP	0.1uF 16V		チップセラコン	01
* D1	V9867500	D10DE	MA3X71600L		ダイオード	01
D2	VT332900	D10DE	1SS355		ダイオード	01
D3	VT332900	D10DE	1SS355		ダイオード	01
IC1	XN567A00	IC	TC7WU04F INV		IC	01
* IC2	X0297A00	IC	74VHC08MTCX AND		ロジックIC	01
* IC3	XM588A00	IC	TC7S32F OR		IC	01
* IC4	X2719A00	IC	SN74LV4053APWR		ロジックIC	02
IC5	XV130A00	IC	NJM4558M-D OP AMP	FLAT PACKAGE	アンプIC	03
IC6	XV130A00	IC	NJM4558M-D OP AMP	FLAT PACKAGE	アンプIC	03
IC7	XV130A00	IC	NJM4558M-D OP AMP	FLAT PACKAGE	アンプIC	03
IC8	XV130A00	IC	NJM4558M-D OP AMP	FLAT PACKAGE	アンプIC	03
* IC9	X3400A00	IC	NJU7015V OP AMP		アンプIC	03
* IC10	X3403A00	IC	AN8703FH-V		IC	07
* IC11	XW735A00	IC	TC7W53FU		ロジックIC	02
* IC12	X3399A00	IC	LMH6643MAX OP AMP		アンプIC SOIC	05
* IC13	X3399A00	IC	LMH6643MAX OP AMP		アンプIC SOIC	05
* IC20	X3409A00	IC	MN103S26EGA		IC QFP	14
* IC21	X2719A00	IC	SN74LV4053APWR		ロジックIC	02
* IC22	X3398A00	IC	BA5823FM DRIVER		アンプIC	05
* IC23	X2719A00	IC	SN74LV4053APWR		ロジックIC	02
* IC30	X3408A00	IC	CXD2753R		IC	16
* IC31	X2360A00	IC	K4S161622D-TC80		メモリIC 16M	
IC32	XS680A00	IC	TC7WH74FU D-FF		ロジックIC	
IC33	XQ805A00	IC	TC7WU04FU		IC	01
* IC34	X0297A00	IC	74VHC08MTCX AND		ロジックIC	01
IC36	XM616A00	IC	TC7S08F AND		IC	01
* IC40	X3406A00	IC. CPU	MN102HF60G CPU		CPU/周辺IC	11
* IC41	X3404A00	IC	PST596JNR		リセットIC	02
IC42	XQ805A00	IC	TC7WU04FU		IC	01
* IC43	X3541A00	IC	NC7SZ125P5X		ロジックIC	01
IC44	XZ224A00	IC	AT25010 EEPROM		メモリIC 1K	05
* IC45	X3405A00	IC	74VHC595MTCX		ロジックIC	01
* IC46	X3405A00	IC	74VHC595MTCX		ロジックIC	01
* IC48	X3542A00	IC	74LCX07MTCX		ロジックIC	01
* IC51	X3402A00	IC	PQ033EZ01ZP 3.3V		電源IC	03
* IC53	X0297A00	IC	74VHC08MTCX AND		ロジックIC	01
* IC54	X3401A00	IC	PQ018EZ01ZP 1.8V		電源IC	03
* IC58	X0295A00	IC	74VHCT245AMTCX BUF		ロジックIC	03
* IC59	X0295A00	IC	74VHCT245AMTCX BUF		ロジックIC	03
IC60	XQ805A00	IC	TC7WU04FU		IC	01
IC61	XY447A00	IC	TC7SU04F INV		ロジックICフラット	01
* IC62	X3724A00	IC	74VHC00MTCX		ロジックIC	01
* IC63	X3724A00	IC	74VHC00MTCX		ロジックIC	01
* IC64	X3722A00	IC	74VHC175MTCX		ロジックIC	01
* IC65	XY953A00	IC	TC7W74F TE12L D-FF		ロジックICフラット	01
IC66	XY447A00	IC	TC7SU04F INV		ロジックICフラット	01
L1	VZ250100	COIL. CHP	BK2125HS470-T		チップインダクタ	01
L2	VZ250100	COIL. CHP	BK2125HS470-T		チップインダクタ	01
L3	VY656400	COIL. CHP	120uH		チップインダクタ	01
L4	VZ250100	COIL. CHP	BK2125HS470-T		チップインダクタ	01

* New Parts * 新規部品(マーク#の部品は、基板に含まれません)

Note) Those parts marked with "#" are not included in the P.C.B. ass'y.

P.C.B. SACD

Schm Ref.	PART NO.	Description	Remarks	Markets	部 品 名	Rank
L6	VZ250100	COIL. CHP	BK2125HS470-T		チップインダクタ	01
L7	VY656400	COIL. CHP	120uH		チップインダクタ	01
L8	VZ250100	COIL. CHP	BK2125HS470-T		チップインダクタ	01
L9	VZ250100	COIL. CHP	BK2125HS470-T		チップインダクタ	01
L10	VZ250100	COIL. CHP	BK2125HS470-T		チップインダクタ	01
L11	VZ250100	COIL. CHP	BK2125HS470-T		チップインダクタ	01
* L13	V6196600	COIL. CHP	NFM4516P13C204FT1		チップEMフィルター	01
* L14	V6196600	COIL. CHP	NFM4516P13C204FT1		チップEMフィルター	01
L15	VZ250100	COIL. CHP	BK2125HS470-T		チップインダクタ	01
L16	VZ250100	COIL. CHP	BK2125HS470-T		チップインダクタ	01
L101	VY656400	COIL. CHP	120uH		チップインダクタ	01
L102	VY656400	COIL. CHP	120uH		チップインダクタ	01
L103	VZ250100	COIL. CHP	BK2125HS470-T		チップインダクタ	01
L104	VZ250100	COIL. CHP	BK2125HS470-T		チップインダクタ	01
L105	VZ250100	COIL. CHP	BK2125HS470-T		チップインダクタ	01
L106	VZ250100	COIL. CHP	BK2125HS470-T		チップインダクタ	01
L107	VY656400	COIL. CHP	120uH		チップインダクタ	01
L108	VY656400	COIL. CHP	120uH		チップインダクタ	01
L109	VY656400	COIL. CHP	120uH		チップインダクタ	01
L110	VY656400	COIL. CHP	120uH		チップインダクタ	01
L111	VY656400	COIL. CHP	120uH		チップインダクタ	01
L112	VY656400	COIL. CHP	120uH		チップインダクタ	01
L113	VY656400	COIL. CHP	120uH		チップインダクタ	01
L114	VY656400	COIL. CHP	120uH		チップインダクタ	01
L115	VZ250100	COIL. CHP	BK2125HS470-T		チップインダクタ	01
L116	VY656400	COIL. CHP	120uH		チップインダクタ	01
L117	VY656400	COIL. CHP	120uH		チップインダクタ	01
L118	VY656400	COIL. CHP	120uH		チップインダクタ	01
L119	VY656400	COIL. CHP	120uH		チップインダクタ	01
L120	VY656400	COIL. CHP	120uH		チップインダクタ	01
L121	VY656400	COIL. CHP	120uH		チップインダクタ	01
L122	VY656400	COIL. CHP	120uH		チップインダクタ	01
L123	VY656400	COIL. CHP	120uH		チップインダクタ	01
L124	VY656400	COIL. CHP	120uH		チップインダクタ	01
L125	VY656400	COIL. CHP	120uH		チップインダクタ	01
L126	VY656400	COIL. CHP	120uH		チップインダクタ	01
L127	VY656400	COIL. CHP	120uH		チップインダクタ	01
L128	VZ250100	COIL. CHP	BK2125HS470-T		チップインダクタ	01
L129	VZ250100	COIL. CHP	BK2125HS470-T		チップインダクタ	01
L130	VZ250100	COIL. CHP	BK2125HS470-T		チップインダクタ	01
L131	VZ250100	COIL. CHP	BK2125HS470-T		チップインダクタ	01
L134	VZ250100	COIL. CHP	BK2125HS470-T		チップインダクタ	01
L135	VZ250100	COIL. CHP	BK2125HS470-T		チップインダクタ	01
L136	VZ250100	COIL. CHP	BK2125HS470-T		チップインダクタ	01
L137	VZ250100	COIL. CHP	BK2125HS470-T		チップインダクタ	01
L138	VZ250100	COIL. CHP	BK2125HS470-T		チップインダクタ	01
L139	VZ250100	COIL. CHP	BK2125HS470-T		チップインダクタ	01
L140	VZ250100	COIL. CHP	BK2125HS470-T		チップインダクタ	01
L141	VZ250100	COIL. CHP	BK2125HS470-T		チップインダクタ	01
L142	VZ250100	COIL. CHP	BK2125HS470-T		チップインダクタ	01
L143	VY656400	COIL. CHP	120uH		チップインダクタ	01
L146	VZ250100	COIL. CHP	BK2125HS470-T		チップインダクタ	01
L147	VY656400	COIL. CHP	120uH		チップインダクタ	01

* New Parts * 新規部品(マーク#の部品は、基板に含まれません)

Note) Those parts marked with “#” are not included in the P.C.B. ass'y.

P.C.B. SACD & P.C.B. AUDIO

Schm Ref.	PART NO.	Description	Remarks	Markets	部 品 名	Rank
L148	VY656400	COIL.CHP	120uH		チップインダクタ	01
L200	VY656400	COIL.CHP	120uH		チップインダクタ	01
Q1	VR810000	TR	2SB1132 Q,R		トランジスタ	01
Q2	VR810000	TR	2SB1132 Q,R		トランジスタ	01
* Q3	V9867300	TR	2SA15320BL B,C		トランジスタ	01
* Q4	V9867300	TR	2SA15320BL B,C		トランジスタ	01
* Q5	V9867400	TR	2SC3930BL B,C		トランジスタ	01
* Q6	V9867400	TR	2SC3930BL B,C		トランジスタ	01
Q7	VR810000	TR	2SB1132 Q,R		トランジスタ	01
* Q8	V9867400	TR	2SC3930BL B,C		トランジスタ	01
* Q9	V9867300	TR	2SA15320BL B,C		トランジスタ	01
Q10	VR810000	TR	2SB1132 Q,R		トランジスタ	01
* Q12	V9867400	TR	2SC3930BL B,C		トランジスタ	01
* Q13	V9867400	TR	2SC3930BL B,C		トランジスタ	01
Q14	VV655400	TR.DGT	DTC114EKA		デジタルトランジスタ	01
* Q15	V9867400	TR	2SC3930BL B,C		トランジスタ	01
* XL1	V9615400	RSNR.CRYS	33.8688MHz NX8045G		水晶振動子	03
* WA148100	P.C.B.	AUDIO			PCB AUDIO	
CB301	V2773800	CN.BS.PIN	35P		FFCコネクタ	03
CB302	V2773800	CN.BS.PIN	35P		FFCコネクタ	03
CB303	VB858500	CN.BS.PIN	6P		ベースピン	01
CB304	VB858200	CN.BS.PIN	3P		ベースピン	01
CB650	VL844800	CN.BS.PIN	4P		ベース付ポスト	01
CB651	VL844700	CN.BS.PIN	3P		ベース付ポスト	01
CB652	VB390000	CN.BS.PIN	4P		ベースピン	01
C304	UR818100	C.EL	100uF 6.3V		ケミコン	01
C305	V5618900	C.EL	47uF 25V		ケミコン	
C306	V5618900	C.EL	47uF 25V		ケミコン	
C307	UM546470	C.EL	4.7uF 50V		ケミコンMS 5	01
C308	UM545470	C.EL	0.47uF 50V		ケミコンMS 5	01
C309	UR817470	C.EL	47uF 6.3V		ケミコン	01
C310	UR817470	C.EL	47uF 6.3V		ケミコン	01
C311	UR817470	C.EL	47uF 6.3V		ケミコン	01
C312	UR817470	C.EL	47uF 6.3V		ケミコン	01
C313	US135100	C.CE.CHP	0.1uF 16V		チップセラコン	01
C314	US135100	C.CE.CHP	0.1uF 16V		チップセラコン	01
C315	US135100	C.CE.CHP	0.1uF 16V		チップセラコン	01
C316	US135100	C.CE.CHP	0.1uF 16V		チップセラコン	01
C317	US135100	C.CE.CHP	0.1uF 16V		チップセラコン	01
C318	US135100	C.CE.CHP	0.1uF 16V		チップセラコン	01
C319	US135100	C.CE.CHP	0.1uF 16V		チップセラコン	01
C320	US135100	C.CE.CHP	0.1uF 16V		チップセラコン	01
C321	V5618300	C.EL	470uF 16V		ケミコン TONEREX	01
C322	V5618300	C.EL	470uF 16V		ケミコン TONEREX	01
C323	US135100	C.CE.CHP	0.1uF 16V		チップセラコン	01
C324	US135100	C.CE.CHP	0.1uF 16V		チップセラコン	01
C325	US135100	C.CE.CHP	0.1uF 16V		チップセラコン	01
C326	US135100	C.CE.CHP	0.1uF 16V		チップセラコン	01
C327	US135100	C.CE.CHP	0.1uF 16V		チップセラコン	01
C328	US135100	C.CE.CHP	0.1uF 16V		チップセラコン	01

* New Parts * 新規部品(マーク#の部品は、基板に含まれません)

Note) Those parts marked with “#” are not included in the P.C.B. ass'y.

P.C.B. AUDIO

Schm Ref.	PART NO.	Description	Remarks	Markets	部 品 名	Rank	
C329	US135100	C. CE. CHP	0.1uF	16V		チップセラコン	01
C330	US135100	C. CE. CHP	0.1uF	16V		チップセラコン	01
C331	UR837100	C. EL	10uF	16V		ケミコン	01
C332	UR837100	C. EL	10uF	16V		ケミコン	01
C333	UR837100	C. EL	10uF	16V		ケミコン	01
C334	UR837100	C. EL	10uF	16V		ケミコン	01
C335	US062100	C. CE. M. CHP	100pF	50V		チップセラコン	01
C338	US135100	C. CE. CHP	0.1uF	16V		チップセラコン	01
C339	UR838220	C. EL	220uF	16V		ケミコン	01
C340	V5618900	C. EL	47uF	25V		ケミコン	
C341	V5618900	C. EL	47uF	25V		ケミコン	
C342	V5618900	C. EL	47uF	25V		ケミコン	
C343	V5618900	C. EL	47uF	25V		ケミコン	
C344	V5618900	C. EL	47uF	25V		ケミコン	
C345	V5618900	C. EL	47uF	25V		ケミコン	
C346	V5618900	C. EL	47uF	25V		ケミコン	
C347	V5618900	C. EL	47uF	25V		ケミコン	
C348	V5618900	C. EL	47uF	25V		ケミコン	
C349	V5618900	C. EL	47uF	25V		ケミコン	
C350	V5618900	C. EL	47uF	25V		ケミコン	
C351	V5618900	C. EL	47uF	25V		ケミコン	
C352	V5618900	C. EL	47uF	25V		ケミコン	
C353	V5618900	C. EL	47uF	25V		ケミコン	
C354	V5618900	C. EL	47uF	25V		ケミコン	
C355	V5618900	C. EL	47uF	25V		ケミコン	
C356	VQ083000	C. EL	47uF	16V		ケミコン	01
C357	VQ083000	C. EL	47uF	16V		ケミコン	01
C358	VQ083000	C. EL	47uF	16V		ケミコン	01
C359	VQ083000	C. EL	47uF	16V		ケミコン	01
C360	VQ083000	C. EL	47uF	16V		ケミコン	01
C361	VQ083000	C. EL	47uF	16V		ケミコン	01
C362	VQ083000	C. EL	47uF	16V		ケミコン	01
C363	VQ083000	C. EL	47uF	16V		ケミコン	01
C364	Vi715500	C. MYLAR	1000pF	50V		マイラーコン	01
* C365	WA755300	C. MYLAR	5600pF	125V		PPコンPCU	02
* C366	WA755300	C. MYLAR	5600pF	125V		PPコンPCU	02
* C367	WA755300	C. MYLAR	5600pF	125V		PPコンPCU	02
* C368	WA755300	C. MYLAR	5600pF	125V		PPコンPCU	02
* C369	WA755300	C. MYLAR	5600pF	125V		PPコンPCU	02
* C370	WA755300	C. MYLAR	5600pF	125V		PPコンPCU	02
* C371	WA755300	C. MYLAR	5600pF	125V		PPコンPCU	02
* C372	WA755300	C. MYLAR	5600pF	125V		PPコンPCU	02
C373	Vi715100	C. MYLAR	470pF	50V		マイラーコン	01
C374	Vi715100	C. MYLAR	470pF	50V		マイラーコン	01
C375	Vi715500	C. MYLAR	1000pF	50V		マイラーコン	01
C376	Vi715500	C. MYLAR	1000pF	50V		マイラーコン	01
C377	Vi715500	C. MYLAR	1000pF	50V		マイラーコン	01
C378	Vi715100	C. MYLAR	470pF	50V		マイラーコン	01
C379	Vi715100	C. MYLAR	470pF	50V		マイラーコン	01
* C380	WA755200	C. MYLAR	2700pF	125V		PPコンPCU	02
* C381	WA755200	C. MYLAR	2700pF	125V		PPコンPCU	02
* C382	WA755200	C. MYLAR	2700pF	125V		PPコンPCU	02
* C383	WA755200	C. MYLAR	2700pF	125V		PPコンPCU	02

* New Parts * 新規部品(マーク#の部品は、基板に含まれません)

*Note) Those parts marked with "#" are not included in the P.C.B. ass'y.

P.C.B. AUDIO

Schm Ref.	PART NO.	Description	Remarks	Markets	部 品 名	Rank
* C384	WA755200	C. MYLAR	2700pF 125V		PPコンPCU	02
* C385	WA755200	C. MYLAR	2700pF 125V		PPコンPCU	02
* C386	WA755200	C. MYLAR	2700pF 125V		PPコンPCU	02
* C387	WA755200	C. MYLAR	2700pF 125V		PPコンPCU	02
C388	Vi715500	C. MYLAR	1000pF 50V		マイラーコン	01
* C389	WA755200	C. MYLAR	2700pF 125V		PPコンPCU	02
* C390	WA755200	C. MYLAR	2700pF 125V		PPコンPCU	02
* C391	WA755200	C. MYLAR	2700pF 125V		PPコンPCU	02
* C392	WA755200	C. MYLAR	2700pF 125V		PPコンPCU	02
* C393	WA755200	C. MYLAR	2700pF 125V		PPコンPCU	02
* C394	WA755200	C. MYLAR	2700pF 125V		PPコンPCU	02
* C395	WA755200	C. MYLAR	2700pF 125V		PPコンPCU	02
* C396	WA755200	C. MYLAR	2700pF 125V		PPコンPCU	02
C397	VP809000	C. EL	47uF 25V		ケミコン	
C398	VP809000	C. EL	47uF 25V		ケミコン	
C399	VP809000	C. EL	47uF 25V		ケミコン	
C400	VP809000	C. EL	47uF 25V		ケミコン	
C401	V8467200	C. PP	68pF 125V		PPコンPCU	
C402	V8467200	C. PP	68pF 125V		PPコンPCU	
C403	V6699800	C. PP	100pF 125V		PPコンPCU	01
C404	V6699800	C. PP	100pF 125V		PPコンPCU	01
C405	V6699800	C. PP	100pF 125V		PPコンPCU	01
C406	V8467200	C. PP	68pF 125V		PPコンPCU	
C407	V8467200	C. PP	68pF 125V		PPコンPCU	
C408	VP809000	C. EL	47uF 25V		ケミコン	
C409	VP809000	C. EL	47uF 25V		ケミコン	
C410	VP809000	C. EL	47uF 25V		ケミコン	
C411	VP809000	C. EL	47uF 25V		ケミコン	
C420	VQ083000	C. EL	47uF 16V		ケミコン	01
C421	VQ083000	C. EL	47uF 16V		ケミコン	01
C422	VQ083000	C. EL	47uF 16V		ケミコン	01
C423	VQ083000	C. EL	47uF 16V		ケミコン	01
C424	VQ083000	C. EL	47uF 16V		ケミコン	01
C425	VQ083000	C. EL	47uF 16V		ケミコン	01
C426	VQ083000	C. EL	47uF 16V		ケミコン	01
C427	VQ083000	C. EL	47uF 16V		ケミコン	01
C428	VQ083000	C. EL	47uF 16V		ケミコン	01
C429	VQ083000	C. EL	47uF 16V		ケミコン	01
C430	VQ083000	C. EL	47uF 16V		ケミコン	01
C431	VQ083000	C. EL	47uF 16V		ケミコン	01
C432	VQ083000	C. EL	47uF 16V		ケミコン	01
C433	VQ083000	C. EL	47uF 16V		ケミコン	01
C434	VQ083000	C. EL	47uF 16V		ケミコン	01
C435	VQ083000	C. EL	47uF 16V		ケミコン	01
* C436	Vi716400	C. MYLAR	5600pF 50V		マイラーコン	01
* C437	Vi716400	C. MYLAR	5600pF 50V		マイラーコン	01
* C438	Vi716400	C. MYLAR	5600pF 50V		マイラーコン	01
* C439	Vi716400	C. MYLAR	5600pF 50V		マイラーコン	01
C440	Vi715700	C. MYLAR	1500pF 50V		マイラーコン	01
C441	Vi715700	C. MYLAR	1500pF 50V		マイラーコン	01
C442	Vi715700	C. MYLAR	1500pF 50V		マイラーコン	01
C443	Vi715700	C. MYLAR	1500pF 50V		マイラーコン	01
C450	UR818100	C. EL	100uF 6.3V		ケミコン	01

* New Parts * 新規部品(マーク#の部品は、基板に含まれません)

Note) Those parts marked with “#” are not included in the P.C.B. ass'y.

P.C.B. AUDIO

Schm Ref.	PART NO.	Description	Remarks	Markets	部 品 名	Rank	
C454	US034330	C. CE. M. CHP	0.033uF	16V		チップセラ (B)	01
C455	US064100	C. CE. M. CHP	0.01uF	50V		チップセラコン	01
C456	US135100	C. CE. CHP	0.1uF	16V		チップセラコン	01
C457	US135100	C. CE. CHP	0.1uF	16V		チップセラコン	01
C458	VQ083000	C. EL	47uF	16V		ケミコン	01
C459	US135100	C. CE. CHP	0.1uF	16V		チップセラコン	01
C460	VP809000	C. EL	47uF	25V		ケミコン	
C461	VP809000	C. EL	47uF	25V		ケミコン	
C462	VP809000	C. EL	47uF	25V		ケミコン	
C463	VP809000	C. EL	47uF	25V		ケミコン	
C464	US135100	C. CE. CHP	0.1uF	16V		チップセラコン	01
C465	US135100	C. CE. CHP	0.1uF	16V		チップセラコン	01
C466	US135100	C. CE. CHP	0.1uF	16V		チップセラコン	01
C467	US135100	C. CE. CHP	0.1uF	16V		チップセラコン	01
* C468	WA755100	C. MYLAR	330pF	125V		P P コ ン P C U	01
* C469	WA755100	C. MYLAR	330pF	125V		P P コ ン P C U	01
* C470	WA755100	C. MYLAR	330pF	125V		P P コ ン P C U	01
* C471	WA755100	C. MYLAR	330pF	125V		P P コ ン P C U	01
* C472	WA755100	C. MYLAR	330pF	125V		P P コ ン P C U	01
* C473	WA755100	C. MYLAR	330pF	125V		P P コ ン P C U	01
* C474	WA755100	C. MYLAR	330pF	125V		P P コ ン P C U	01
* C475	WA755100	C. MYLAR	330pF	125V		P P コ ン P C U	01
* C476	WA755100	C. MYLAR	330pF	125V		P P コ ン P C U	01
* C477	WA755100	C. MYLAR	330pF	125V		P P コ ン P C U	01
* C478	WA755100	C. MYLAR	330pF	125V		P P コ ン P C U	01
* C479	WA755100	C. MYLAR	330pF	125V		P P コ ン P C U	01
* C480	WA755100	C. MYLAR	330pF	125V		P P コ ン P C U	01
* C481	WA755100	C. MYLAR	330pF	125V		P P コ ン P C U	01
* C482	WA755100	C. MYLAR	330pF	125V		P P コ ン P C U	01
* C483	WA755100	C. MYLAR	330pF	125V		P P コ ン P C U	01
C484	VQ645600	C. MYLAR	100pF	50V		マイラーコン	01
C485	VQ645600	C. MYLAR	100pF	50V		マイラーコン	01
C486	VQ645600	C. MYLAR	100pF	50V		マイラーコン	01
C487	VQ645600	C. MYLAR	100pF	50V		マイラーコン	01
C488	VQ645600	C. MYLAR	100pF	50V		マイラーコン	01
C489	VQ645600	C. MYLAR	100pF	50V		マイラーコン	01
C490	VQ645600	C. MYLAR	100pF	50V		マイラーコン	01
C491	VQ645600	C. MYLAR	100pF	50V		マイラーコン	01
C500	UR837470	C. EL	47uF	16V		ケミコン	01
C501	UR837470	C. EL	47uF	16V		ケミコン	01
C502	V3480600	C. CE. CHP	1uF	10V		チップセラ	01
C503	V3480600	C. CE. CHP	1uF	10V		チップセラ	01
C504	V3480600	C. CE. CHP	1uF	10V		チップセラ	01
C505	V3480600	C. CE. CHP	1uF	10V		チップセラ	01
C506	V3480600	C. CE. CHP	1uF	10V		チップセラ	01
C507	V3480600	C. CE. CHP	1uF	10V		チップセラ	01
C508	UR837470	C. EL	47uF	16V		ケミコン	01
C509	UR837470	C. EL	47uF	16V		ケミコン	01
C510	V3480600	C. CE. CHP	1uF	10V		チップセラ	01
C511	V3480600	C. CE. CHP	1uF	10V		チップセラ	01
C522	US063100	C. CE. M. CHP	1000pF	50V		チップセラコン	01
C523	V8467300	C. PP	1000pF	125V		P P コ ン P C U	02
C524	V8467300	C. PP	1000pF	125V		P P コ ン P C U	02

* New Parts * 新規部品(マーク#の部品は、基板に含まれません)

*Note) Those parts marked with "#" are not included in the P.C.B. ass'y.

P.C.B. AUDIO

Schm Ref.	PART NO.	Description	Remarks	Markets	部 品 名	Rank
	C525	V8467300 C.PP	1000pF 125V		P P コン P C U	02
	C526	V8467300 C.PP	1000pF 125V		P P コン P C U	02
*	C652	WA756300 C.EL	180uF 16V		ケミコン	02
	C653	US063100 C.CE. M. CHP	1000pF 50V		チップセラコン	01
	C654	US145100 C.CE. CHP	0.1uF 25V		チップセラ (F)	01
	C655	US145100 C.CE. CHP	0.1uF 25V		チップセラ (F)	01
	C656	UB446100 C.CE. CHP	1uF 16V		チップセラコン	01
	C657	UB446100 C.CE. CHP	1uF 16V		チップセラコン	01
	C658	US064100 C.CE. M. CHP	0.01uF 50V		チップセラコン	01
*	C659	V9885300 C.CE. CHP	10uF 16V		チップセラ	01
*	C660	V9885300 C.CE. CHP	10uF 16V		チップセラ	01
	C661	UR847100 C.EL	10uF 25V		ケミコン	01
*	C662	WA294800 C.EL	100uF 16V		ケミコン	02
	C663	VK705200 C.CE. M. CHP	0.33uF 25V		チップ積層セラコン	01
	C664	VK705200 C.CE. M. CHP	0.33uF 25V		チップ積層セラコン	01
*	C665	V9885300 C.CE. CHP	10uF 16V		チップセラ	01
	C666	UR847100 C.EL	10uF 25V		ケミコン	01
	C960	VF467300 C.CE. TUBLR	0.01uF 16V		円筒セラコン	01
	D301	VT332900 DIODE	1SS355		ダイオード	01
	D302	VT332900 DIODE	1SS355		ダイオード	01
	D303	VT332900 DIODE	1SS355		ダイオード	01
	D304	VT332900 DIODE	1SS355		ダイオード	01
	D305	VU993000 DIODE. ZENR	MA8056-M 5.6V		ツェナーダイオード	01
	D306	VT332900 DIODE	1SS355		ダイオード	01
	D307	VT332900 DIODE	1SS355		ダイオード	01
	D308	VT332900 DIODE	1SS355		ダイオード	01
	D309	VT332900 DIODE	1SS355		ダイオード	01
	D310	VT332900 DIODE	1SS355		ダイオード	01
	D311	VT332900 DIODE	1SS355		ダイオード	01
	D312	VT332900 DIODE	1SS355		ダイオード	01
	D313	VT332900 DIODE	1SS355		ダイオード	01
	D314	VT332900 DIODE	1SS355		ダイオード	01
	D315	VT332900 DIODE	1SS355		ダイオード	01
*	D651	WA295200 DIODE. CHP	D1FS4A-4063		チップダイオード	01
	D652	VT332900 DIODE	1SS355		ダイオード	01
	IC301	XU056A00 IC	M5290FP 5V REGUL		電源 IC	03
*	IC302	X3407A00 IC	AD1955ARS		IC	08
*	IC303	X3407A00 IC	AD1955ARS		IC	08
*	IC304	X3407A00 IC	AD1955ARS		IC	08
*	IC305	X3407A00 IC	AD1955ARS		IC	08
	IC306	XN567A00 IC	TC7WU04F INV		IC	01
	IC307	X2420A00 IC	OPA2134UA/2K5		アンプ IC	05
	IC308	X2420A00 IC	OPA2134UA/2K5		アンプ IC	05
	IC309	X2420A00 IC	OPA2134UA/2K5		アンプ IC	05
	IC310	X2420A00 IC	OPA2134UA/2K5		アンプ IC	05
	IC311	X2420A00 IC	OPA2134UA/2K5		アンプ IC	05
	IC312	X2420A00 IC	OPA2134UA/2K5		アンプ IC	05
	IC313	X2420A00 IC	OPA2134UA/2K5		アンプ IC	05
	IC314	X2420A00 IC	OPA2134UA/2K5		アンプ IC	05
	IC315	X2420A00 IC	OPA2134UA/2K5		アンプ IC	05
	IC316	X2420A00 IC	OPA2134UA/2K5		アンプ IC	05
	IC317	X2420A00 IC	OPA2134UA/2K5		アンプ IC	05
	IC318	X2420A00 IC	OPA2134UA/2K5		アンプ IC	05

* New Parts * 新規部品(マーク#の部品は、基板に含まれません)

Note) Those parts marked with "#" are not included in the P.C.B. ass'y.

P.C.B. AUDIO

Schm Ref.	PART NO.	Description	Remarks	Markets	部 品 名	Rank
IC320	X2420A00	IC	OPA2134UA/2K5		アンプ I C	05
IC321	X2420A00	IC	OPA2134UA/2K5		アンプ I C	05
IC322	X2420A00	IC	OPA2134UA/2K5		アンプ I C	05
IC323	X2420A00	IC	OPA2134UA/2K5		アンプ I C	05
IC325	XC011A00	IC	NJM5532M		I C	03
IC326	XC011A00	IC	NJM5532M		I C	03
IC327	XC011A00	IC	NJM5532M		I C	03
IC332	XZ223A00	IC	M51951BHP		I C	01
* IC650	X3839A00	IC	MD3221N DC/DC		電源 I C	07
IC651	X2414A00	IC	PQ09RD11 9V		電源 I C	04
IC652	XV872A00	IC	NJM7909FA -9V		電源 I C	02
L305	VY656400	COIL. CHP	120uH		チップインダクタ	01
L306	VZ250100	COIL. CHP	BK2125HS470-T		チップインダクタ	01
L356	VY657200	COIL. CHP	600 BK1608HM601		チップインダクタ	01
L357	VY657200	COIL. CHP	600 BK1608HM601		チップインダクタ	01
L358	VY657200	COIL. CHP	600 BK1608HM601		チップインダクタ	01
L359	VY657200	COIL. CHP	600 BK1608HM601		チップインダクタ	01
L360	VY657200	COIL. CHP	600 BK1608HM601		チップインダクタ	01
L361	VY657200	COIL. CHP	600 BK1608HM601		チップインダクタ	01
L362	VY657200	COIL. CHP	600 BK1608HM601		チップインダクタ	01
L363	VY657200	COIL. CHP	600 BK1608HM601		チップインダクタ	01
* L650	WA294900	COIL	15uH RCR108D		コイル	03
PJ301	V4925200	JACK. PIN	2P		ピンジャック	03
PJ302	V8210700	JACK. PIN	6P W/R/G		ピンジャック 6 P	04
* PJ303	WA467600	JACK. PIN	YKC21-3918		ピンジャック 1 P	02
PN301	V3750100	PIN	L=50		スタイルピン	
PN303	V3750100	PIN	L=50		スタイルピン	
PN304	V3750100	PIN	L=50		スタイルピン	
Q301	VS883400	TR	2SD2394 E, F		トランジスタ	02
Q302	VS883300	TR	2SB1565 E, F		トランジスタ	02
Q304	VV556400	TR	2SC2412K Q, R, S		トランジスタ	01
Q307	VV556500	TR	2SA1037K Q, R, S		トランジスタ	01
Q308	VV655000	TR. DGT	DTA114EKA		デジタルトランジスタ	01
Q309	V9107400	TR	2SC4488 T		トランジスタ	01
Q310	VV556400	TR	2SC2412K Q, R, S		トランジスタ	01
Q311	VV556400	TR	2SC2412K Q, R, S		トランジスタ	01
Q312	VV655000	TR. DGT	DTA114EKA		デジタルトランジスタ	01
Q313	VV655400	TR. DGT	DTC114EKA		デジタルトランジスタ	01
Q314	VZ725900	TR	2SD1938F S, T		トランジスタ	
Q315	VZ725900	TR	2SD1938F S, T		トランジスタ	
Q316	VZ725900	TR	2SD1938F S, T		トランジスタ	
Q317	VZ725900	TR	2SD1938F S, T		トランジスタ	
Q318	VZ725900	TR	2SD1938F S, T		トランジスタ	
Q319	VZ725900	TR	2SD1938F S, T		トランジスタ	
Q320	VZ725900	TR	2SD1938F S, T		トランジスタ	
Q321	VZ725900	TR	2SD1938F S, T		トランジスタ	
Q322	VZ725900	TR	2SD1938F S, T		トランジスタ	
Q323	VZ725900	TR	2SD1938F S, T		トランジスタ	
Q324	VZ725900	TR	2SD1938F S, T		トランジスタ	
Q325	VZ725900	TR	2SD1938F S, T		トランジスタ	
Q326	VZ725900	TR	2SD1938F S, T		トランジスタ	
Q327	VZ725900	TR	2SD1938F S, T		トランジスタ	
Q328	VZ725900	TR	2SD1938F S, T		トランジスタ	

* New Parts * 新規部品(マーク#の部品は、基板に含まれません)

Note) Those parts marked with "#" are not included in the P.C.B. ass'y.

P.C.B. AUDIO & P.C.B. MAIN

Schm Ref.	PART NO.	Description	Remarks	Markets	部 品 名	Rank
Q329	VZ725900	TR	2SD1938F S,T		トランジスタ	
Q330	VZ725900	TR	2SD1938F S,T		トランジスタ	
Q331	VZ725900	TR	2SD1938F S,T		トランジスタ	
Q332	VZ725900	TR	2SD1938F S,T		トランジスタ	
Q335	VV655400	TR. DGT	DTC114EKA		デジタルトランジスタ	01
* RY301	VU685600	RELAY	DC NA- 5 W-K		リレー	06
* RY302	VU685600	RELAY	DC NA- 5 W-K		リレー	06
* RY303	VU685600	RELAY	DC NA- 5 W-K		リレー	06
* RY304	VU685600	RELAY	DC NA- 5 W-K		リレー	06
* RY305	VU685600	RELAY	DC NA- 5 W-K		リレー	06
* RY306	VU685600	RELAY	DC NA- 5 W-K		リレー	06
* RY307	VU685600	RELAY	DC NA- 5 W-K		リレー	06
* RY308	VU685600	RELAY	DC NA- 5 W-K		リレー	06
VR301	WA976000	VR. TRIM	B4.7KΩ 3P		半固定VR	
	CB068880	PLST. RIVET	No. 1027		プラスチックリベット	01
	EP600250	SCR. BND. HD	3x8 MFZN2Y		バインドBタイトネジ	01
* WA147400	P. C. B.	MAIN		J	P C B集成 MAIN	
* WA147500	P. C. B.	MAIN		U	P C B集成 MAIN	
* WA147600	P. C. B.	MAIN		A	P C B集成 MAIN	
* WA147700	P. C. B.	MAIN		B	P C B集成 MAIN	
* WA266800	P. C. B.	MAIN		G	P C B集成 MAIN	
CB501	V8090900	CN	26P TE		コネクタープラグ	03
CB502	V6088600	CN	22P TE		コネクタープラグ	03
* CB503	WA050300	CN	35P TE FMN		FMNコネクタ	02
* CB504	WA467700	CN	14P SE YKF	J	D端子コネクタ	04
* CB505	V7414400	CN	15P TE FMN		FMNコネクタ	01
* CB506	WA014300	CN	7P SE FMN		FMNコネクタ	01
CB602	VB390300	CN. BS. PIN	7P		ベースピン	01
CB605	VU270500	CN	5P		F F Cコネクタ	01
CB606	LB918020	CN. BS. PIN	2P		ベース付ポスト	01
CB608	VL844800	CN. BS. PIN	4P		ベース付ポスト	01
* CB609	VL844900	CN. BS. PIN	5P		ベース付ポスト	01
* CB610	WA135300	CN	19P PLUG TWG-P	G	TWG-Pプラグ	02
* CB610	WA135300	CN	19P PLUG TWG-P	BG	TWG-Pプラグ	02
* CB701	WA014400	CN	14P SE FMN		FMNコネクタ	01
* CB702	VU280500	CN	5P SE 9604S		F F C コネクタ	01
CB801	VG879900	CN. BS. PIN	2P		ベースピン	01
CB802	VG879900	CN. BS. PIN	2P		ベースピン	01
CB803	VG879900	CN. BS. PIN	2P		ベースピン	01
* CB901	WA135400	CN	19P SOCKET TWG-P	BG	TWG-Pソケット	02
* CB902	WA247900	CN	21P YKF41-5038	BG	R G Bコネクタ	03
C501	UM388330	C. EL	330uF 6.3V		ケミコン	01
C502	UM388330	C. EL	330uF 6.3V		ケミコン	01
C504	UM387470	C. EL	47uF 16V		ケミコン	01
C505	UR818330	C. EL	330uF 6.3V		ケミコン	01
C507	US064100	C. CE. M. CHP	0.01uF 50V		チップセラコン	01
C508	US064100	C. CE. M. CHP	0.01uF 50V		チップセラコン	01
C509	UM517470	C. EL	47uF 6.3V		ケミコンMS 5	01
C510	UM517470	C. EL	47uF 6.3V		ケミコンMS 5	01
C511	UM517470	C. EL	47uF 6.3V	JUA	ケミコンMS 5	01

* New Parts * 新規部品(マーク#の部品は、基板に含まれません)

Note) Those parts marked with “#” are not included in the P.C.B. ass'y.

DVD-S2300

P.C.B. MAIN

Schm Ref.	PART NO.	Description	Remarks	Markets	部 品 名	Rank	
C512	UM517470	C. EL	47uF 6.3V		JUA	ケミコンMS 5	01
C513	US062100	C. CE. M. CHP	100pF 50V			チップセラコン	01
C514	US061470	C. CE. M. CHP	47pF 50V			チップセラコン	01
C515	US064100	C. CE. M. CHP	0.01uF 50V			チップセラコン	01
C516	US064100	C. CE. M. CHP	0.01uF 50V			チップセラコン	01
C517	US064100	C. CE. M. CHP	0.01uF 50V			チップセラコン	01
C518	US135100	C. CE. CHP	0.1uF 16V		J	チップセラコン	01
C519	US062100	C. CE. M. CHP	100pF 50V			チップセラコン	01
C520	UR819100	C. EL	1000uF 6.3V			ケミコン	01
C521	UR818100	C. EL	100uF 6.3V			ケミコン	01
C522	UR819100	C. EL	1000uF 6.3V			ケミコン	01
C523	UR818100	C. EL	100uF 6.3V			ケミコン	01
C524	UR819100	C. EL	1000uF 6.3V			ケミコン	01
C525	UR818100	C. EL	100uF 6.3V			ケミコン	01
C526	UR818330	C. EL	330uF 6.3V			ケミコン	01
C527	UR818330	C. EL	330uF 6.3V			ケミコン	01
C528	US135100	C. CE. CHP	0.1uF 16V			チップセラコン	01
C529	US135100	C. CE. CHP	0.1uF 16V			チップセラコン	01
C530	UR837330	C. EL	33uF 16V			ケミコン	01
C531	US062330	C. CE. M. CHP	330pF 50V			チップセラコン	01
C532	US061390	C. CE. M. CHP	39pF 50V			チップセラコン	01
C533	US064100	C. CE. M. CHP	0.01uF 50V			チップセラコン	01
C534	US064100	C. CE. M. CHP	0.01uF 50V			チップセラコン	01
C535	US062330	C. CE. M. CHP	330pF 50V			チップセラコン	01
C536	US135100	C. CE. CHP	0.1uF 16V			チップセラコン	01
C537	UM388330	C. EL	330uF 6.3V			ケミコン	01
C538	US135100	C. CE. CHP	0.1uF 16V			チップセラコン	01
C571	US064100	C. CE. M. CHP	0.01uF 50V		BG	チップセラコン	01
C572	US064100	C. CE. M. CHP	0.01uF 50V		BG	チップセラコン	01
C573	US064100	C. CE. M. CHP	0.01uF 50V		BG	チップセラコン	01
C580	US135100	C. CE. CHP	0.1uF 16V			チップセラコン	01
C601	UR867100	C. EL	10uF 50V			ケミコン	01
C602	UR867100	C. EL	10uF 50V			ケミコン	01
C603	UR866470	C. EL	4.7uF 50V			ケミコン	01
C605	UR819100	C. EL	1000uF 6.3V			ケミコン	01
* C606	WA294800	C. EL	100uF 16V			ケミコン	02
C607	V5617400	C. EL	470uF 6.3V			ケミコン TONEREX	01
C608	V5617400	C. EL	470uF 6.3V			ケミコン TONEREX	01
C609	US064100	C. CE. M. CHP	0.01uF 50V			チップセラコン	01
C610	US135330	C. CE. CHP	0.33uF 16V			チップセラ (F)	01
C611	US135330	C. CE. CHP	0.33uF 16V			チップセラ (F)	01
C612	US064100	C. CE. M. CHP	0.01uF 50V			チップセラコン	01
C613	US063100	C. CE. M. CHP	1000pF 50V			チップセラコン	01
C614	US034470	C. CE. M. CHP	0.047uF 16V			チップセラコン	01
C615	US135330	C. CE. CHP	0.33uF 16V			チップセラ (F)	01
C616	US135330	C. CE. CHP	0.33uF 16V			チップセラ (F)	01
C617	UR868220	C. EL	220uF 50V			ケミコン	01
C618	UR868220	C. EL	220uF 50V			ケミコン	01
C619	VR193400	C. OS	10uF 25V			OSコン	03
C620	VR193400	C. OS	10uF 25V			OSコン	03
C621	UR838220	C. EL	220uF 16V			ケミコン	01
C622	UR848220	C. EL	220uF 25V			ケミコン	01
C623	US063100	C. CE. M. CHP	1000pF 50V			チップセラコン	01

* New Parts * 新規部品(マーク#の部品は、基板に含まれません)

*Note) Those parts marked with "#" are not included in the P.C.B. ass'y.

P.C.B. MAIN

Schm Ref.	PART NO.	Description	Remarks	Markets	部 品 名	Rank
C624	UU13A150	C. EL	15000uF 16V		ケミコンFW	04
C625	UU13A150	C. EL	15000uF 16V		ケミコンFW	04
C626	US064100	C. CE. M. CHP	0.01uF 50V		チップセラコン	01
C627	UR868220	C. EL	220uF 50V		ケミコン	
C628	VK705200	C. CE. M. CHP	0.33uF 25V		チップ積層セラコン	01
C629	UR749470	C. EL	4700uF 25V		ケミコン	05
C630	VR193400	C. OS	10uF 25V		OSコン	03
C631	UU149220	C. EL	2200uF 25V		ケミコンFW	02
C632	UU149220	C. EL	2200uF 25V		ケミコンFW	02
C634	UR749470	C. EL	4700uF 25V		ケミコン	05
C635	UU149470	C. EL	4700uF 25V		ケミコン FW	
C636	US064100	C. CE. M. CHP	0.01uF 50V		チップセラコン	01
C637	US064100	C. CE. M. CHP	0.01uF 50V		チップセラコン	01
C638	US064100	C. CE. M. CHP	0.01uF 50V		チップセラコン	01
C639	US064100	C. CE. M. CHP	0.01uF 50V		チップセラコン	01
C640	VF279800	C. PP	0.01uF 100V		PPコン	01
C641	VF279800	C. PP	0.01uF 100V		PPコン	01
C642	US064100	C. CE. M. CHP	0.01uF 50V		チップセラコン	01
C643	US064100	C. CE. M. CHP	0.01uF 50V		チップセラコン	01
C645	VK705200	C. CE. M. CHP	0.33uF 25V		チップ積層セラコン	01
C646	UR818100	C. EL	100uF 6.3V		ケミコン	01
* C647	V9885300	C. CE. CHP	10uF 16V		チップセラ	01
C648	UM387470	C. EL	47uF 16V		ケミコン	01
C649	US135100	C. CE. CHP	0.1uF 16V	JUBG	チップセラコン	01
C650	US135100	C. CE. CHP	0.1uF 16V		チップセラコン	01
C651	US135100	C. CE. CHP	0.1uF 16V		チップセラコン	01
C652	US135100	C. CE. CHP	0.1uF 16V		チップセラコン	01
C653	UR867470	C. EL	47uF 50V	BG	ケミコン	01
C654	UR858100	C. EL	100uF 35V	BG	ケミコン	01
C655	UR867470	C. EL	47uF 50V	BG	ケミコン	01
C702	UM388100	C. EL	100uF 10V		ケミコン	01
C703	US064100	C. CE. M. CHP	0.01uF 50V		チップセラコン	01
C704	US064100	C. CE. M. CHP	0.01uF 50V		チップセラコン	01
C705	US064100	C. CE. M. CHP	0.01uF 50V		チップセラコン	01
C706	US064100	C. CE. M. CHP	0.01uF 50V		チップセラコン	01
C707	US064100	C. CE. M. CHP	0.01uF 50V		チップセラコン	01
C708	UM388100	C. EL	100uF 10V		ケミコン	01
C709	US135100	C. CE. CHP	0.1uF 16V		チップセラコン	01
C710	US135100	C. CE. CHP	0.1uF 16V		チップセラコン	01
C712	US061680	C. CE. CHP	68pF 50V		チップセラコン	01
C713	US064100	C. CE. M. CHP	0.01uF 50V		チップセラコン	01
C714	US135100	C. CE. CHP	0.1uF 16V		チップセラコン	01
C715	US135100	C. CE. CHP	0.1uF 16V		チップセラコン	01
C720	US135100	C. CE. CHP	0.1uF 16V	JU	チップセラコン	01
C721	US135100	C. CE. CHP	0.1uF 16V		チップセラコン	01
C722	US135100	C. CE. CHP	0.1uF 16V		チップセラコン	01
C723	US135100	C. CE. CHP	0.1uF 16V		チップセラコン	01
C750	UR837470	C. EL	47uF 16V		ケミコン	01
C751	UR837470	C. EL	47uF 16V		ケミコン	01
C752	UR838330	C. EL	330uF 16V		ケミコン	01
C753	UR838330	C. EL	330uF 16V		ケミコン	01
C754	UA653220	C. MYLAR	2200pF 50V		マイラーコン	01
C755	UA653220	C. MYLAR	2200pF 50V		マイラーコン	01

* New Parts * 新規部品(マーク#の部品は、基板に含まれません)

Note) Those parts marked with “#” are not included in the P.C.B. ass'y.

P.C.B. MAIN

Schm Ref.	PART NO.	Description	Remarks	Markets	部 品 名	Rank	
	C756	FG644100 C. CE	0.01uF 50V		ABG	セラコン	01
△	C801	V3501400 C. CE. SAFTY	0.01uF 275V			規格認定コン	
△	C802	V3501400 C. CE. SAFTY	0.01uF 275V			規格認定コン	
△	C803	V3501400 C. CE. SAFTY	0.01uF 275V			規格認定コン	
	C901	UR838100 C. EL	100uF 16V		BG	ケミコン	01
	C902	US064100 C. CE. M. CHP	0.01uF 50V		BG	チップセラコン	01
	C903	UR849100 C. EL	1000uF 25V		BG	ケミコン	01
	C905	US135100 C. CE. CHP	0.1uF 16V		BG	チップセラコン	01
	C906	UR866100 C. EL	1uF 50V		BG	ケミコン	01
	C907	UR866100 C. EL	1uF 50V		BG	ケミコン	01
	C908	UR866100 C. EL	1uF 50V		BG	ケミコン	01
	C909	US135100 C. CE. CHP	0.1uF 16V		BG	チップセラコン	01
	C910	US135100 C. CE. CHP	0.1uF 16V		BG	チップセラコン	01
	C911	UR818470 C. EL	470uF 6.3V		BG	ケミコン	01
	C912	US135100 C. CE. CHP	0.1uF 16V		BG	チップセラコン	01
	C913	US062100 C. CE. M. CHP	100pF 50V		BG	チップセラコン	01
	C914	US064100 C. CE. M. CHP	0.01uF 50V		BG	チップセラコン	01
	C915	UR818100 C. EL	100uF 6.3V		BG	ケミコン	01
	C916	UR837220 C. EL	22uF 16V		BG	ケミコン	01
	C917	UR818100 C. EL	100uF 6.3V		BG	ケミコン	01
	C918	UR837220 C. EL	22uF 16V		BG	ケミコン	01
	C919	UR818100 C. EL	100uF 6.3V		BG	ケミコン	01
	C920	UR837220 C. EL	22uF 16V		BG	ケミコン	01
	C921	US062100 C. CE. M. CHP	100pF 50V		BG	チップセラコン	01
	C922	US064100 C. CE. M. CHP	0.01uF 50V		BG	チップセラコン	01
	C923	UR866470 C. EL	4.7uF 50V		BG	ケミコン	01
	C970	UA655100 C. MYLAR	0.1uF 50V		U	マイラーコン	01
	C971	VF466600 C. CE. TUBLR	10pF 50V		U	円筒セラコン	01
	D601	VU993000 D10DE. ZENR	MA8056-M 5.6V			ツェナーダイオード	01
	D602	VV663900 D10DE. ZENR	RLZ30.0A 30.0V			ツェナーダイオード	
*	D603	WA295200 D10DE. CHP	D1FS4A-4063			チップダイオード	01
	D604	VT332900 D10DE	1SS355			ダイオード	01
	D605	V8945300 D10DE. ZENR	HZK3BTR 3.0V			ツェナーダイオード	01
	D606	VV307700 D10DE	1N4002S			ダイオード	01
	D607	VV307700 D10DE	1N4002S			ダイオード	01
	D608	V6267600 D10DE	RB051L-40			ダイオード	01
*	D609	VB845300 D10DE BRG	S1WB-A-60 1A 600V			D i スタック	02
	D610	V4269600 D10DE. BRG	D2SBA20 1.5A 200V			ダイオードブリッジ	
	D613	V6855600 D10DE. BRG	D4SBS4-4101 4A			ダイオードブリッジ	03
	D614	V6855600 D10DE. BRG	D4SBS4-4101 4A			ダイオードブリッジ	03
	D615	VT332900 D10DE	1SS355		BG	ダイオード	01
	D616	VT332900 D10DE	1SS355		BG	ダイオード	01
*	D701	WA467800 LED	SEL6910A-CD		JU	L E D	01
*	D702	WA467800 LED	SEL6910A-CD		JU	L E D	01
*	D703	WA596000 LED	BLUE E1L4E-SB1A2			L E D	03
*	D704	WA596000 LED	BLUE E1L4E-SB1A2			L E D	03
*	D705	WA467800 LED	SEL6910A-CD		ABG	L E D	01
	D750	VV307700 D10DE	1N4002S			ダイオード	01
	D751	VV307700 D10DE	1N4002S			ダイオード	01
	D901	VT332900 D10DE	1SS355		BG	ダイオード	01
	D902	WB177100 D10DE. ZENR	HZU13B1TRF 13V		BG	ツェナーダイオード	01
*	Fi571	WA135500 FLTR. LC	ELB4E043BN		BG	L C フィルター	04
△	Fi801	VH227500 FLTR	20uH SU10VD-10020			ラインフィルター	03

* New Parts * 新規部品(マーク#の部品は、基板に含まれません)

*Note) Those parts marked with "#" are not included in the P.C.B. ass'y.

P.C.B. MAIN

Schm Ref.	PART NO.	Description	Remarks	Markets	部 品 名	Rank	
* IC502	X2136A00	IC	BH7862FS		JUA	アンプIC	05
* IC502	X4030A00	IC	BH7865FS		BG	アンプIC	
* IC503	VT522800	PHOT. CPL	ON3131			フォトカプラ	01
* IC504	X3904A00	IC	TS7ST00F NAND			ロジックIC	
* IC505	XN567A00	IC	TC7WU04F INV			IC	01
* IC506	X3905A00	IC	TS7ST08F AND		J	ロジックIC	
IC601	XZ418A00	IC	S-808XXANNP			IC	01
IC603	XZ223A00	IC	M51951BHP			IC	01
IC605	X2530A00	IC	PQ05RD21 +5V 2.0A			電源IC	03
IC606	X2530A00	IC	PQ05RD21 +5V 2.0A			電源IC	03
* IC607	X3121A00	IC	MD1422N DC/DC			電源IC	05
IC608	X2414A00	IC	PQ09RD11 9V			電源IC	04
* IC611	XN086A00	IC	NJM79L05UA TE1 -5V			電源IC フラット	02
* IC612	X3723A00	IC	74VHC595SJX		JUBG	ロジックIC	01
* IC613	XM588A00	IC	TC7S32F OR			IC	01
IC701	X2874A00	IC	M66003-0101FP FLD			アンプIC	08
IC750	XB247A00	IC	uPC4570HA			IC	02
IC901	XV169A00	IC	BA7660FS-E2 3CH		BG	アンプIC フラット	04
IC902	XY879A00	IC	TC74HC4053AF(EL)		BG	ロジックIC SOP	03
* IC904	X3720A00	IC	MM1508		BG	IC	02
JK501	V8210800	TERM. S	2P YKF51-5572			2連S端子	04
JK502	VJ726800	JACK. MNI				モノラルミニジャック	01
JK503	VJ726800	JACK. MNI				モノラルミニジャック	01
JK750	V5129000	JACK. PHONE	YKB26-5236			ヘッドホンジャック	03
L501	V6267100	COIL	100uH	LHL08TB101K		コイル	01
L502	V6268000	COIL	10uH	EL0305RA-100J		コイル	01
L503	VU886200	COIL	LAL03VB R39M 0.39			円筒形固定コイル	01
L504	VU886500	COIL	LAL03VB R68M 0.68			円筒形固定コイル	01
L505	VU886500	COIL	LAL03VB R68M 0.68			円筒形固定コイル	01
L506	VD473700	COIL	60uH			コイル	02
L507	VB871100	FER. BEAD	BL02RN2-R62			フェライトビーズ	01
L508	VD473700	COIL	60uH			コイル	02
L509	V1530800	TRANS. PULS	3PTD-001			パルストランス	02
L510	VD473700	COIL	60uH			コイル	02
L511	GE300610	FER. BEAD	BL02RN1-R62T4			フェライトビーズ	01
* L601	WA294900	COIL	15uH RCR108D			コイル	03
L603	VZ250100	COIL. CHP	BK2125HS470-T			チップインダクタ	01
L700	V1491100	FER. CORE	BP53RB19012080M			フェライトコア	02
L750	VD473700	COIL	60uH			コイル	02
L751	VD473700	COIL	60uH			コイル	02
L752	VD473700	COIL	60uH			コイル	02
△ L801	VF370900	COIL	1mH	SU10V-10010		コイル	03
L901	V6268000	COIL	10uH	EL0305RA-100J	BG	コイル	01
L902	V6268000	COIL	10uH	EL0305RA-100J	BG	コイル	01
L903	V6268000	COIL	10uH	EL0305RA-100J	BG	コイル	01
L904	VY656400	COIL. CHP	120uH		BG	チップインダクタ	01
L905	VY656400	COIL. CHP	120uH		BG	チップインダクタ	01
L906	VY656400	COIL. CHP	120uH		BG	チップインダクタ	01
L907	VY656400	COIL. CHP	120uH		BG	チップインダクタ	01
L908	VY656400	COIL. CHP	120uH		BG	チップインダクタ	01
L970	VM749700	FER. BEAD	FB07VA121TB		U	フェライトビーズ	01
PJ501	V8210400	JACK. PIN	2P YE/YE			ピンジャック 2P	02
PJ502	V2283400	JACK. PIN	1P			ピンジャック	04

* New Parts * 新規部品(マーク#の部品は、基板に含まれません)

Note) Those parts marked with "#" are not included in the P.C.B. ass'y.

P.C.B. MAIN

Schm Ref.	PART NO.	Description	Remarks	Markets	部 品 名	Rank	
* PJ503	V8210500	JACK. PIN	3P G/B/R		J	ピンジャック	03
* PJ503	V8210600	JACK. PIN	6P G/B/R		UA	ピンジャック 6 P	
	PN1	V3750100	PIN	L=50		スタイルピン	
	PN2	V3750100	PIN	L=50		スタイルピン	
	Q501	VV655500	TR. DGT	DTC124EKA		デジタルトランジスタ	01
	Q502	VV655500	TR. DGT	DTC124EKA		デジタルトランジスタ	01
	Q503	VV655500	TR. DGT	DTC124EKA		デジタルトランジスタ	01
	Q504	VV655500	TR. DGT	DTC124EKA	J	デジタルトランジスタ	01
	Q505	VV655500	TR. DGT	DTC124EKA	J	デジタルトランジスタ	01
	Q506	VV655500	TR. DGT	DTC124EKA	JBG	デジタルトランジスタ	01
	Q507	VV655500	TR. DGT	DTC124EKA	J	デジタルトランジスタ	01
	Q508	VV556400	TR	2SC2412K Q, R, S		トランジスタ	01
	Q571	VV556400	TR	2SC2412K Q, R, S	BG	トランジスタ	01
	Q572	VV556400	TR	2SC2412K Q, R, S	BG	トランジスタ	01
	Q573	VV556400	TR	2SC2412K Q, R, S	BG	トランジスタ	01
	Q601	iB054430	TR	2SB544 D, E, F, G		トランジスタ	01
	Q602	VV556500	TR	2SA1037K Q, R, S		トランジスタ	01
	Q604	VV556400	TR	2SC2412K Q, R, S		トランジスタ	01
	Q605	VV556500	TR	2SA1037K Q, R, S		トランジスタ	01
* Q606	WA295100	FET	FDR838P-F40			F E T	03
	Q607	VV556400	TR	2SC2412K Q, R, S		トランジスタ	01
	Q608	VV655500	TR. DGT	DTC124EKA		デジタルトランジスタ	01
	Q701	VV556400	TR	2SC2412K Q, R, S	JU	トランジスタ	01
	Q702	VV556400	TR	2SC2412K Q, R, S		トランジスタ	01
	Q703	VV556400	TR	2SC2412K Q, R, S		トランジスタ	01
	Q704	VV556400	TR	2SC2412K Q, R, S		トランジスタ	01
	Q901	VV556400	TR	2SC2412K Q, R, S	BG	トランジスタ	01
	Q902	VV556500	TR	2SA1037K Q, R, S	BG	トランジスタ	01
	Q903	VV655400	TR. DGT	DTC114EKA	BG	デジタルトランジスタ	01
	Q904	VV655400	TR. DGT	DTC114EKA	BG	デジタルトランジスタ	01
	Q905	VV655400	TR. DGT	DTC114EKA	BG	デジタルトランジスタ	01
	Q906	VV655400	TR. DGT	DTC114EKA	BG	デジタルトランジスタ	01
	Q907	VV556400	TR	2SC2412K Q, R, S	BG	トランジスタ	01
	Q908	VV655000	TR. DGT	DTA114EKA	BG	デジタルトランジスタ	01
	Q909	iD040040	TR	2SD400	BG	トランジスタ	02
	Q910	VV556500	TR	2SA1037K Q, R, S	BG	トランジスタ	01
	R601	HV755100	R. CAR. FP	100Ω 1/4W		不燃化カーボン抵抗	01
	R602	HV755100	R. CAR. FP	100Ω 1/4W		不燃化カーボン抵抗	01
	R619	V9199400	R. MTL. OXD	1.2KΩ 1W		酸化金属被膜抵抗	01
	R620	HV753100	R. CAR. FP	1Ω 1/4W		不燃化カーボン抵抗	01
	R756	HV755100	R. CAR. FP	100Ω 1/4W		不燃化カーボン抵抗	01
	R759	HV755100	R. CAR. FP	100Ω 1/4W		不燃化カーボン抵抗	01
	R762	HV755100	R. CAR. FP	100Ω 1/4W		不燃化カーボン抵抗	01
	R763	HV755100	R. CAR. FP	100Ω 1/4W		不燃化カーボン抵抗	01
	ST601	BB071360	SCR. TERM	8.3x13		ネジ端子	01
	SW701	VG392900	SW. TACT	SKHVAA		タクトSW	01
	SW702	VG392900	SW. TACT	SKHVAA		タクトSW	01
	SW703	VG392900	SW. TACT	SKHVAA		タクトSW	01
	SW704	VG392900	SW. TACT	SKHVAA		タクトSW	01
	SW705	VG392900	SW. TACT	SKHVAA		タクトSW	01
	SW706	VG392900	SW. TACT	SKHVAA		タクトSW	01
	SW707	VG392900	SW. TACT	SKHVAA		タクトSW	01
△	SW801	VZ364100	SW. PUSH	SDDL1-A2-F-1		プッシュSW	03

* New Parts * 新規部品(マーク#の部品は、基板に含まれません)

Note) Those parts marked with "#" are not included in the P.C.B. ass'y.

P.C.B. MAIN & DVD MODULE

Schm Ref.	PART NO.	Description	Remarks	Markets	部 品 名	Rank		
* △	TE801	V6561200	AC INLET	2P M1908-G	JUG	A C インレット 2 P	02	
* △	TE801	VZ070900	INLET.AC	CCT2302-0381	AB	A C インレット 2 P	02	
* *	TH601	VV458100	POSISTOR	RUE300 3.A 30V		ボリスイッチ	03	
	TH602	VV457700	POSISTOR	RUE110 1.10A 30V		ボリスイッチ	02	
	TH603	VV457900	POSISTOR	RUE160 1.6A 30V		ボリスイッチ	02	
	TH604	VV457700	POSISTOR	RUE110 1.10A 30V		ボリスイッチ	02	
	TH605	VV457700	POSISTOR	RUE110 1.10A 30V		ボリスイッチ	02	
* *	U501	V7680800	CN.PHOT.SN	1P GP1FA512TZ		光ファイバデータリンク	03	
* *	U701	WA422400	L.DTCT	GP1UD261XK		リモコン受光ユニット	03	
* *	V701	V9910400	FL.DSPLY	14-BT-77GN		蛍光表示管	07	
	VR750	V7502400	VR	A20KΩ RK09L12B0		二連ロータリーV R	04	
		CB099600	PLST.RIVET	No. 920		プラスチックリベット	03	
		VR519500	SHEET.FL			シート/FL	01	
* *		V3747400	SPACER.FL	T4x6x18		スペーサ/FL	01	
* *		V9700500	RFLCT			リフレクター	02	
* *		V9700600	REFLECT			レフレクター/ケース	02	
* *		EG330030	SCR.BND.HD	3x6 MFC2BL		バインド小ネジ	01	
* *		WA474200	SPACER		JUG	スペーサ インレット	02	
* *		V3747500	SUPRT			サポート/FL	01	
* *		V7903500	P.C.B.	DVD MODULE	RD-DDK018-YH	J	PCB DVDモジュール	54
* *		V7903400	P.C.B.	DVD MODULE	RD-DDK015-YH	U	PCB DVDモジュール	
* *		V7903600	P.C.B.	DVD MODULE	RD-DDK017-YH	A	PCB DVDモジュール	
* *		V7903700	P.C.B.	DVD MODULE	RD-DDK016-YH	BG	PCB DVDモジュール	42
	C2001	UF018100	C.EL.CHP	100uF 6.3V		チップケミコン	01	
	C2003	US135100	C.CE.CHP	0.1uF 16V		チップセラコン	01	
	C2021	UF018100	C.EL.CHP	100uF 6.3V		チップケミコン	01	
	C2022	US135100	C.CE.CHP	0.1uF 16V		チップセラコン	01	
	C2026	US135100	C.CE.CHP	0.1uF 16V		チップセラコン	01	
	C2031	US135100	C.CE.CHP	0.1uF 16V		チップセラコン	01	
	C2034	UB014390	C.CE.M.CHP	0.039uF 50V		チップ積層セラコン	01	
	C2035	UB013820	C.CE.M.CHP	8200pF 50V		チップ積層セラコン	01	
	C2036	US135100	C.CE.CHP	0.1uF 16V		チップセラコン	01	
	C2038	US135100	C.CE.CHP	0.1uF 16V		チップセラコン	01	
	C2039	US064100	C.CE.M.CHP	0.01uF 50V		チップセラコン	01	
	C2040	US063100	C.CE.M.CHP	1000pF 50V		チップセラコン	01	
	C2041	US062330	C.CE.M.CHP	330pF 50V		チップセラコン	01	
	C2043	US062100	C.CE.M.CHP	100pF 50V		チップセラコン	01	
	C2044	US062390	C.CE.CHP	390P 50V		チップセラ (S L)	01	
	C2046	US063100	C.CE.M.CHP	1000pF 50V		チップセラコン	01	
	C2047	US064100	C.CE.M.CHP	0.01uF 50V		チップセラコン	01	
	C2048	VR326400	C.POL.CHP	0.015uF 16V		チップマイラー		
	C2050	VR326800	C.POL.CHP	0.033uF 16V		チップマイラーコン	01	
	C2051	US061680	C.CE.CHP	68pF 50V		チップセラコン	01	
	C2052	US135100	C.CE.CHP	0.1uF 16V		チップセラコン	01	
	C2054	US062680	C.CE.M.CHP	680pF 50V		チップセラコン	01	
	C2055	UB013680	C.CE.M.CHP	6800pF 50V		チップ積層セラコン	01	
	C2056	US135100	C.CE.CHP	0.1uF 16V		チップセラコン	01	
	C2058	US063100	C.CE.M.CHP	1000pF 50V		チップセラコン	01	
	C2059	US062820	C.CE.CHP	820pF 50V		チップセラ (B)	01	
	C2060	US063100	C.CE.M.CHP	1000pF 50V		チップセラコン	01	

* New Parts * 新規部品(マーク#の部品は、基板に含まれません)

Note) Those parts marked with "#" are not included in the P.C.B. ass'y.

P.C.B. DVD MODULE

Schm Ref.	PART NO.	Description	Remarks	Markets	部 品 名	Rank	
C2061	US062330	C. CE. M. CHP	330pF 50V			チップセラコン	01
C2063	US063100	C. CE. M. CHP	1000pF 50V			チップセラコン	01
C2066	UB013470	C. CE. M. CHP	4700pF 50V			チップ積層セラコン	01
C2501	UF018100	C. EL. CHP	100uF 6.3V			チップケミコン	01
C2502	UF118330	C. EL. CHP	330uF 6.3V			チップケミコン	01
C2503	UF138100	C. EL. CHP	100uF 16V			チップケミコン	01
C2504-08	US135100	C. CE. CHP	0.1uF 16V			チップセラコン	01
C2511-12	US135100	C. CE. CHP	0.1uF 16V			チップセラコン	01
C3001	UF118330	C. EL. CHP	330uF 6.3V			チップケミコン	01
C3003	US135100	C. CE. CHP	0.1uF 16V			チップセラコン	01
C3008	UB446100	C. CE. CHP	1uF 16V			チップセラコン	01
C3010	US135100	C. CE. CHP	0.1uF 16V			チップセラコン	01
C3041	US135100	C. CE. CHP	0.1uF 16V			チップセラコン	01
C3051	US135100	C. CE. CHP	0.1uF 16V			チップセラコン	01
C3054	US061220	C. CE. M. CHP	22pF 50V			チップセラコン	01
C3061	US135100	C. CE. CHP	0.1uF 16V			チップセラコン	01
C3071	US135100	C. CE. CHP	0.1uF 16V			チップセラコン	01
C3073	FX612510	C. TNTL	10uF 16V CH	ECST1CX106		タンタルコン	05
C3080	UF118330	C. EL. CHP	330uF 6.3V			チップケミコン	01
C3081	US135100	C. CE. CHP	0.1uF 16V			チップセラコン	01
C3083	UB446100	C. CE. CHP	1uF 16V			チップセラコン	01
C3087	US135100	C. CE. CHP	0.1uF 16V			チップセラコン	01
C3100	UF018100	C. EL. CHP	100uF 6.3V			チップケミコン	01
C3101	US135100	C. CE. CHP	0.1uF 16V			チップセラコン	01
C3106	US135100	C. CE. CHP	0.1uF 16V			チップセラコン	01
C3111	US135100	C. CE. CHP	0.1uF 16V			チップセラコン	01
C3116	US135100	C. CE. CHP	0.1uF 16V			チップセラコン	01
C3210	US135100	C. CE. CHP	0.1uF 16V			チップセラコン	01
C3211-14	US135100	C. CE. CHP	0.1uF 16V			チップセラコン	01
C3261	US135100	C. CE. CHP	0.1uF 16V			チップセラコン	01
C3701-02	UF118330	C. EL. CHP	330uF 6.3V		JU	チップケミコン	01
C3703-19	US135100	C. CE. CHP	0.1uF 16V		JU	チップセラコン	01
C3720	UF017330	C. EL. CHP	33uF 6.3V		JU	チップケミコン	01
C3721	US135100	C. CE. CHP	0.1uF 16V		JU	チップセラコン	01
C3722-23	US061100	C. CE. M. CHP	10pF 50V		JU	チップセラコン	01
C3724	US135100	C. CE. CHP	0.1uF 16V		JU	チップセラコン	01
C3731	FX612510	C. TNTL	10uF 16V CH	ECST1CX106	JU	タンタルコン	05
C3732-43	US135100	C. CE. CHP	0.1uF 16V		JU	チップセラコン	01
C3751-56	US135100	C. CE. CHP	0.1uF 16V			チップセラコン	01
C3757	US135100	C. CE. CHP	0.1uF 16V			チップセラコン	01
C3758	UB446100	C. CE. CHP	1uF 16V			チップセラコン	01
C3759	US135100	C. CE. CHP	0.1uF 16V			チップセラコン	01
C3761-63	US135100	C. CE. CHP	0.1uF 16V			チップセラコン	01
C3766	US135100	C. CE. CHP	0.1uF 16V			チップセラコン	01
C3770	UF018100	C. EL. CHP	100uF 6.3V			チップケミコン	01
C3771	US135100	C. CE. CHP	0.1uF 16V			チップセラコン	01
C4201	UF119100	C. EL. CHP	1000uF 6.3V			チップケミコン	02
C4208	US135100	C. CE. CHP	0.1uF 16V			チップセラコン	01
C4211	FX612510	C. TNTL	10uF 16V CH	ECST1CX106		タンタルコン	05
C4213	FX612510	C. TNTL	10uF 16V CH	ECST1CX106		タンタルコン	05
C4215	US135100	C. CE. CHP	0.1uF 16V			チップセラコン	01
C4216	UF018100	C. EL. CHP	100uF 6.3V			チップケミコン	01
C4217	US135100	C. CE. CHP	0.1uF 16V			チップセラコン	01

* New Parts * 新規部品(マーク#の部品は、基板に含まれません)

Note) Those parts marked with "#" are not included in the P.C.B. ass'y.

P.C.B. DVD MODULE

Schm Ref.	PART NO.	Description	Remarks	Markets	部 品 名	Rank
C4219-20	FX612510	C. TNL	10uF 16V CH	ECST1CX106	タンタルコン	05
C4221-27	US135100	C. CE. CHP	0.1uF 16V		チップセラコン	01
C5201-02	UF037100	C. EL. CHP	10uF 16V		チップケミコン	01
C5203-06	US135100	C. CE. CHP	0.1uF 16V		チップセラコン	01
C5211	UF017470	C. EL. CHP	47uF 6.3V		チップケミコン	01
C5215	UF017470	C. EL. CHP	47uF 6.3V		チップケミコン	01
C5221	US135100	C. CE. CHP	0.1uF 16V		チップセラコン	01
C5222	FX612510	C. TNL	10uF 16V CH	ECST1CX106	タンタルコン	05
C5232-36	US135100	C. CE. CHP	0.1uF 16V		チップセラコン	01
C5241-48	US135100	C. CE. CHP	0.1uF 16V		チップセラコン	01
C5251	US062100	C. CE. M. CHP	100pF 50V		チップセラコン	01
C5252	US135100	C. CE. CHP	0.1uF 16V		チップセラコン	01
C5261	US135100	C. CE. CHP	0.1uF 16V		チップセラコン	01
C5262-64	US062820	C. CE. CHP	820pF 50V		チップセラ (B)	01
C5271-72	US135100	C. CE. CHP	0.1uF 16V		チップセラコン	01
C5273	US063180	C. CE. CHP	1800pF 50V		チップセラコン	01
C5274	US135100	C. CE. CHP	0.1uF 16V		チップセラコン	01
C5282	US135100	C. CE. CHP	0.1uF 16V		チップセラコン	01
C5283-84	US062560	C. CE. CHP	560pF 50V		チップセラ (S L)	01
* C5285	XX700590	C. CE. CHP	0.027uF 25V	ECUZ1E273KBN	チップコンデンサ	
C5288-92	US135100	C. CE. CHP	0.1uF 16V		チップセラコン	01
C5295	US135100	C. CE. CHP	0.1uF 16V		チップセラコン	01
C5298	VR327000	C. POL. CHP	0.047uF 16V		チップマイラーコン	01
C6201	UF017330	C. EL. CHP	33uF 6.3V		チップケミコン	01
C6202-06	US135100	C. CE. CHP	0.1uF 16V		チップセラコン	01
C6211	US135100	C. CE. CHP	0.1uF 16V		チップセラコン	01
C6212	US062100	C. CE. M. CHP	100pF 50V		チップセラコン	01
C6215	US135100	C. CE. CHP	0.1uF 16V		チップセラコン	01
C6221	US135100	C. CE. CHP	0.1uF 16V		チップセラコン	01
C6251	UB446100	C. CE. CHP	1uF 16V		チップセラコン	01
C6252	US062470	C. CE. M. CHP	470pF 50V		チップセラコン	01
C6253	FX612510	C. TNL	10uF 16V CH	ECST1CX106	タンタルコン	05
C6257	UF018100	C. EL. CHP	100uF 6.3V		チップケミコン	01
C6261	US135100	C. CE. CHP	0.1uF 16V		チップセラコン	01
C6262	FX612510	C. TNL	10uF 16V CH	ECST1CX106	タンタルコン	05
C6304-05	US135100	C. CE. CHP	0.1uF 16V		チップセラコン	01
C6501-02	UF017330	C. EL. CHP	33uF 6.3V		チップケミコン	01
C6503-05	US135100	C. CE. CHP	0.1uF 16V		チップセラコン	01
C6511-12	US061150	C. CE. CHP	15pF 50V		チップセラコン	01
C6521	US135100	C. CE. CHP	0.1uF 16V		チップセラコン	01
C6801-02	UF018100	C. EL. CHP	100uF 6.3V		チップケミコン	01
C6803-14	US135220	C. CE. CHP	0.22uF 16V		チップセラ (F)	01
C6815	US135100	C. CE. CHP	0.1uF 16V		チップセラコン	01
* D3071	AAX34220	D10DE	MA2J11100L	MA2J11100L	ダイオード	
D5261	AAX27030	D10DE	MA716-TX	MA716TX	ダイオード	05
* D6215	AAX34230	D10DE	MA2J72800L	MA2J72800L	ダイオード	
FP5201	AAX26690	CN	38P	K1MN38A00005	コネクタ	07
IC2001	AAX26200	IC	MN103S26EGA	MN103S26EGA	IC	21
IC2501	AAX26080	IC	BA5823FM-E2	COGBG0000020	IC	09
IC2502	AAX26100	IC	SN74AHC1G66H	COJBAS000116	JU IC	
IC3001	AAX26220	IC	MN677531KA	MN677531KA	IC	32
IC3061	AAX26140	IC	MT48LC4M16A2TG-8E	C3ABPG000057	IC	21
IC3071	AAX26040	IC	PQ1K333M2ZP	COCBCBD00002	IC	07

* New Parts * 新規部品(マーク#の部品は、基板に含まれません)

Note) Those parts marked with "#" are not included in the P.C.B. ass'y.

P.C.B. DVD MODULE

Schm Ref.	PART NO.	Description	Remarks	Markets	部 品 名	Rank	
IC3201	AAX26110	IC	ADV7190KST	C02BZ0000459	ABG	I C	
IC3261	iX634090	IC	BU4053BCF	BU4053BCF	JU	I C	02
* IC3701	AAX34170	IC	FLI2200	C1AB00001554	JU	I C	
* IC3731	AAX34190	IC	K4S643232E-TC601	C3ABPJ000018	JU	I C	
IC3751	AAX26130	IC	ADV7196AKS	C1AB00001401	JU	I C	19
* IC4211	AAX34160	IC	PCM1608YT2	COFBBK000022		I C	
IC5201	AAX26000	IC	AN8703FH	AN8703FH		I C	13
IC5261	AAX26030	IC	NJU7015-TE1	COABHB000004		I C	07
IC5262	AAX26160	IC	CLC58021MX	CLC58021MX		I C	10
IC5263	AAX26090	IC	SN74LV4053APWR	COJBAR000282	JU	I C	05
IC5264	AAX26240	IC	TC7W53FU	TC7W53FU		I C	05
IC5265	AAX26100	IC	SN74AHC1G66H	COJBAS000116	JU	I C	05
IC5266	AAX26030	IC	NJU7015-TE1	COABHB000004	JU	I C	07
IC5267	AAX25980	IC	AHC2G66HDCTR	AHC2G66HDCTR	JU	I C	05
IC6201	AAX26190	IC	MN102H60GFB	MN102H60GFB		I C	16
IC6211	AAX03570	IC	PST596JNR	PST596JNR		I C	05
IC6221	AAX26150	IC	BR24C08F-E21	C3EBFC000025		I C	07
* IC6251	AAX34150	IC	MM1563DFBE1	COCBCBE00001		I C	
IC6261	AAX16090	IC	PQ018EZ01ZP	PQ018EZ01ZP		I C	06
* IC6301	AAX34200	IC	16M FLASH ROM	C3FBMG000012		I C	
* IC6501	AAX34180	IC	BU2286FV-E2	C1DB00000582		I C	
IC6521	AAX04910	IC	AHC1GU04HDCK	AHC1GU04HDCK		I C	05
IC6801	AAX26210	IC	MN67736WK	MN67736WK		I C	22
PS3201	AAX16410	CN	22P	VJS4222C022B		コネクター	06
PS4201	AAX05480	CN	26P	VJS4222A026B		コネクター	06
* PS6201	AAX34210	CN	10P	K1MN10A00030		コネクター	
Q2001	AAX04270	TR	2SD1819A-R	2SD1819AR		トランジスタ	05
Q3101	NX702830	TR	2SB1218A-R	2SB1218AR	JU	トランジスタ	05
Q3106	NX702830	TR	2SB1218A-R	2SB1218AR	JU	トランジスタ	05
Q3111	NX702830	TR	2SB1218A-R	2SB1218AR	JU	トランジスタ	05
Q3116	NX702830	TR	2SB1218A-R	2SB1218AR	JU	トランジスタ	05
Q3221	NX702830	TR	2SB1218A-R	2SB1218AR	ABG	トランジスタ	05
Q3226	NX702830	TR	2SB1218A-R	2SB1218AR	ABG	トランジスタ	05
Q3231	NX702830	TR	2SB1218A-R	2SB1218AR	ABG	トランジスタ	05
Q3236	NX702830	TR	2SB1218A-R	2SB1218AR	ABG	トランジスタ	05
Q3241	NX702830	TR	2SB1218A-R	2SB1218AR	ABG	トランジスタ	05
Q3761	AAX27050	TR	2SA1532-B	2SA1532B	JU	トランジスタ	04
Q3766	AAX27050	TR	2SA1532-B	2SA1532B	JU	トランジスタ	04
Q3771	AAX27050	TR	2SA1532-B	2SA1532B	JU	トランジスタ	04
Q5211	AAX05780	TR	2SB1115	2SB1115		トランジスタ	05
Q5215	AAX05780	TR	2SB1115	2SB1115		トランジスタ	05
Q5261-62	AAX27070	TR	2SC3930-BC	2SC3930BC		トランジスタ	04
Q5263	AAX27050	TR	2SA1532-B	2SA1532B		トランジスタ	04
Q5264	AAX27070	TR	2SC3930-BC	2SC3930BC		トランジスタ	04
Q5271	AAX27120	TR	UN5211	UN5211		トランジスタ	04
QR3261	iX637160	TR	UN5212	UN5212		デジタルトランジスタ	
QR5221	AAX16160	TR	UN2121	UN2121		抵抗付きトランジスタ	05
QR5241	AAX27110	TR	UN511M	UN511M		トランジスタ	04
QR6215	iX637160	TR	UN5212	UN5212		デジタルトランジスタ	
X6501	AAX04680	RSNR. CRY	36.864MHz	VSX1044		水晶発振子	

* New Parts * 新規部品(マーク#の部品は、基板に含まれません)

Note) Those parts marked with "#" are not included in the P.C.B. ass'y.

Chip Resistors

Schm Ref.	PART NO.	Description	Remarks	Markets	部 品 名	Rank	
	RD250000	R. CHP	0 Ω 1/16W	5%, 1.6×0.8		チップ抵抗	01
	RD255560	R. CHP	560 Ω 1/16W	5%, 1.6×0.8		チップ抵抗	01
	RD350000	R. CHP	0 Ω 1/16W	5%, 1.6×0.8		チップ抵抗	01
	RD353220	R. CHP	2.2 Ω 1/16W	5%, 1.6×0.8		チップ抵抗	01
	RD354100	R. CHP	10 Ω 1/16W	5%, 1.6×0.8		チップ抵抗	01
	RD354330	R. CHP	33 Ω 1/16W	5%, 1.6×0.8		チップ抵抗	01
	RD354680	R. CHP	68 Ω 1/16W	5%, 1.6×0.8		チップ抵抗	01
	RD354750	R. CHP	75 Ω 1/16W	5%, 1.6×0.8		チップ抵抗	01
	RD355100	R. CHP	100 Ω 1/16W	5%, 1.6×0.8		チップ抵抗	01
	RD355150	R. CHP	150 Ω 1/16W	5%, 1.6×0.8		チップ抵抗	01
	RD355180	R. CHP	180 Ω 1/16W	5%, 1.6×0.8		チップ抵抗	01
	RD355220	R. CHP	220 Ω 1/16W	5%, 1.6×0.8		チップ抵抗	01
	RD355330	R. CHP	330 Ω 1/16W	5%, 1.6×0.8		チップ抵抗	01
	RD355470	R. CHP	470 Ω 1/16W	5%, 1.6×0.8		チップ抵抗	01
	RD355560	R. CHP	560 Ω 1/16W	5%, 1.6×0.8		チップ抵抗	01
	RD355820	R. CHP	820 Ω 1/16W	5%, 1.6×0.8		チップ抵抗	01
	RD356100	R. CHP	1K Ω 1/16W	5%, 1.6×0.8		チップ抵抗	01
	RD356120	R. CHP	1.2K Ω 1/16W	5%, 1.6×0.8		チップ抵抗	01
	RD356150	R. CHP	1.5K Ω 1/16W	5%, 1.6×0.8		チップ抵抗	01
	RD356160	R. CHP	1.6K Ω 1/16W	5%, 1.6×0.8		チップ抵抗	01
	RD356180	R. CHP	1.8K Ω 1/16W	5%, 1.6×0.8		チップ抵抗	01
	RD356220	R. CHP	2.2K Ω 1/16W	5%, 1.6×0.8		チップ抵抗	01
	RD356270	R. CHP	2.7K Ω 1/16W	5%, 1.6×0.8		チップ抵抗	01
	RD356300	R. CHP	3K Ω 1/16W	5%, 1.6×0.8		チップ抵抗	01
	RD356330	R. CHP	3.3K Ω 1/16W	5%, 1.6×0.8		チップ抵抗	01
	RD356360	R. CHP	3.6K Ω 1/16W	5%, 1.6×0.8		チップ抵抗	01
	RD356390	R. CHP	3.9K Ω 1/16W	5%, 1.6×0.8		チップ抵抗	01
	RD356470	R. CHP	4.7K Ω 1/16W	5%, 1.6×0.8		チップ抵抗	01
	RD356560	R. CHP	5.6K Ω 1/16W	5%, 1.6×0.8		チップ抵抗	01
	RD356750	R. CHP	7.5K Ω 1/16W	5%, 1.6×0.8		チップ抵抗	01
	RD356820	R. CHP	8.2K Ω 1/16W	5%, 1.6×0.8		チップ抵抗	01
	RD357100	R. CHP	10K Ω 1/16W	5%, 1.6×0.8		チップ抵抗	01
	RD357150	R. CHP	15K Ω 1/16W	5%, 1.6×0.8		チップ抵抗	01
	RD357160	R. CHP	16K Ω 1/16W	5%, 1.6×0.8		チップ抵抗	01
	RD357180	R. CHP	18K Ω 1/16W	5%, 1.6×0.8		チップ抵抗	01
	RD357220	R. CHP	22K Ω 1/16W	5%, 1.6×0.8		チップ抵抗	01
	RD357240	R. CHP	24K Ω 1/16W	5%, 1.6×0.8		チップ抵抗	01
	RD357270	R. CHP	27K Ω 1/16W	5%, 1.6×0.8		チップ抵抗	01
	RD357330	R. CHP	33K Ω 1/16W	5%, 1.6×0.8		チップ抵抗	01
	RD357390	R. CHP	39K Ω 1/16W	5%, 1.6×0.8		チップ抵抗	01
	RD357470	R. CHP	47K Ω 1/16W	5%, 1.6×0.8		チップ抵抗	01
	RD357560	R. CHP	56K Ω 1/16W	5%, 1.6×0.8		チップ抵抗	01
	RD357680	R. CHP	68K Ω 1/16W	5%, 1.6×0.8		チップ抵抗	01
	RD357820	R. CHP	82K Ω 1/16W	5%, 1.6×0.8		チップ抵抗	01
	RD358100	R. CHP	100K Ω 1/16W	5%, 1.6×0.8		チップ抵抗	01
	RD358120	R. CHP	120K Ω 1/16W	5%, 1.6×0.8		チップ抵抗	01
	RD358330	R. CHP	330K Ω 1/16W	5%, 1.6×0.8		チップ抵抗	01
	RD358470	R. CHP	470K Ω 1/16W	5%, 1.6×0.8		チップ抵抗	01
	RD359100	R. CHP	1M Ω 1/16W	5%, 1.6×0.8		チップ抵抗	01
	RD359470	R. CHP	4.7M Ω 1/16W	5%, 1.6×0.8		チップ抵抗	01

* New Parts * 新規部品(マーク#の部品は、基板に含まれません)

(Note) Those parts marked with “#” are not included in the P.C.B. ass'y.

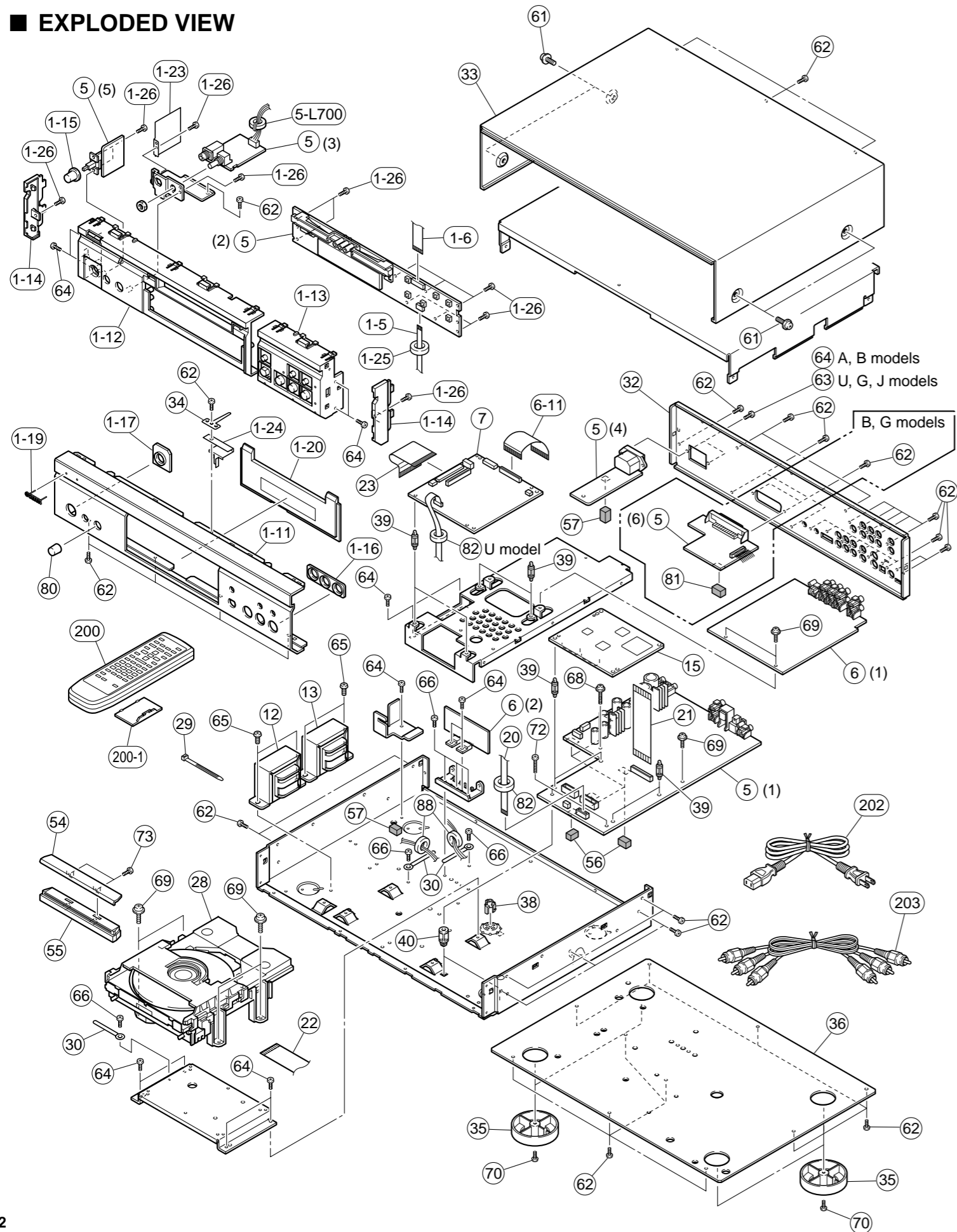
Chip Resistors

Schm Ref.	PART NO.	Description	Remarks	Markets	部 品 名	Rank
*	RF354470	R. CHP	47Ω 1/16W	0.5%, 1.6×0.8	チップ抵抗	01
	RF355100	R. CHP	100Ω 1/16W	0.5%, 1.6×0.8	チップ抵抗	01
*	RF355220	R. CHP	220Ω 1/16W	0.5%, 1.6×0.8	チップ抵抗	01
*	RF355270	R. CHP	270Ω 1/16W	0.5%, 1.6×0.8	チップ抵抗	01
*	RF355330	R. CHP	330Ω 1/16W	0.5%, 1.6×0.8	チップ抵抗	01
*	RF355390	R. CHP	390Ω 1/16W	0.5%, 1.6×0.8	チップ抵抗	01
	RF355430	R. CHP	430Ω 1/16W	0.5%, 1.6×0.8	チップ抵抗	01
*	RF355680	R. CHP	680Ω 1/16W	0.5%, 1.6×0.8	チップ抵抗	01
*	RF355820	R. CHP	820Ω 1/16W	0.5%, 1.6×0.8	チップ抵抗	01
*	RF356110	R. CHP	1.1KΩ 1/16W	0.5%, 1.6×0.8	チップ抵抗	01
*	RF356150	R. CHP	1.5KΩ 1/16W	0.5%, 1.6×0.8	チップ抵抗	01
*	RF356180	R. CHP	1.8KΩ 1/16W	0.5%, 1.6×0.8	チップ抵抗	01
*	RF356200	R. CHP	2KΩ 1/16W	0.5%, 1.6×0.8	チップ抵抗	01
	RF356220	R. CHP	2.2KΩ 1/16W	0.5%, 1.6×0.8	チップ抵抗	01
*	RF356330	R. CHP	3.3KΩ 1/16W	0.5%, 1.6×0.8	チップ抵抗	01
	RF356470	R. CHP	4.7KΩ 1/16W	0.5%, 1.6×0.8	チップ抵抗	01
	RF356510	R. CHP	5.1KΩ 1/16W	0.5%, 1.6×0.8	チップ抵抗	01
*	RF356910	R. CHP	9.1KΩ 1/16W	0.5%, 1.6×0.8	チップ抵抗	01
	RF357100	R. CHP	10KΩ 1/16W	0.5%, 1.6×0.8	チップ抵抗	01
	RF357120	R. CHP	12KΩ 1/16W	0.5%, 1.6×0.8	チップ抵抗	01
*	RF357150	R. CHP	15KΩ 1/16W	0.5%, 1.6×0.8	チップ抵抗	01
	RF357220	R. CHP	22KΩ 1/16W	0.5%, 1.6×0.8	チップ抵抗	01
	RF357240	R. CHP	24KΩ 1/16W	0.5%, 1.6×0.8	チップ抵抗	01
*	RF357470	R. CHP	47KΩ 1/16W	0.5%, 1.6×0.8	チップ抵抗	01
*	RF357560	R. CHP	56KΩ 1/16W	0.5%, 1.6×0.8	チップ抵抗	01
*	RF357680	R. CHP	68KΩ 1/16W	0.5%, 1.6×0.8	チップ抵抗	01
*	RF358100	R. CHP	100KΩ 1/16W	0.5%, 1.6×0.8	チップ抵抗	01
	RF454820	R. CHP	82Ω 1/16W	0.5%, 1.6×0.8	チップ抵抗	01
	RF455160	R. CHP	160Ω 1/16W	0.5%, 1.6×0.8	チップ抵抗	01
	RF455470	R. CHP	470Ω 1/16W	0.5%, 1.6×0.8	チップ抵抗	01
	RF456100	R. CHP	1.0KΩ 1/16W	0.5%, 1.6×0.8	チップ抵抗	01
	RF456180	R. CHP	1.8KΩ 1/16W	0.5%, 1.6×0.8	チップ抵抗	01
	RF456220	R. CHP	2.2KΩ 1/16W	0.5%, 1.6×0.8	チップ抵抗	01
	RF456360	R. CHP	3.6KΩ 1/16W	0.5%, 1.6×0.8	チップ抵抗	01
	RF456620	R. CHP	6.2KΩ 1/16W	0.5%, 1.6×0.8	チップ抵抗	01
	RF456750	R. CHP	7.5KΩ 1/16W	0.5%, 1.6×0.8	チップ抵抗	01
	RF457100	R. CHP	10KΩ 1/16W	0.5%, 1.6×0.8	チップ抵抗	01
	RF457180	R. CHP	18KΩ 1/16W	0.5%, 1.6×0.8	チップ抵抗	01
	RF457220	R. CHP	22KΩ 1/16W	0.5%, 1.6×0.8	チップ抵抗	01
*	WA013800	R. CHP	27Ω 1/2W	5%, 4.5×3.2	チップ抵抗	01
*	WA295000	R. CHP	0.15Ω 1/2W	5%, 4.5×3.2	チップ抵抗	01
*	WA755400	R. CHP	0.2Ω 1/2W	5%, 4.5×3.2	チップ抵抗	01
*	WA756400	R. CHP	0.1Ω 1/2W	5%, 4.5×3.2	チップ抵抗	01

* New Parts * 新規部品(マーク#の部品は、基板に含まれません)

*Note) Those parts marked with "#" are not included in the P.C.B. ass'y.

EXPLODED VIEW



MECHANICAL PARTS

Schm Ref.	PART NO.	Description	Remarks	Markets	部品名	Rank
1-5	MF105100	FLEXIBLE FLAT CABLE	5P 100mm		カード電線 C & C	01
* 1-6	MFA14080	FLEXIBLE FLAT CABLE	14P 80mm P=1.0		カード電線	01
* 1-11	WA089300	FRONT PANEL		GD J	フロントパネル	13
* 1-11	V9698900	FRONT PANEL		GD G	フロントパネル	13
* 1-11	WA089100	FRONT PANEL		BL U	フロントパネル	
* 1-11	V9698800	FRONT PANEL		BL ABG	フロントパネル	
* 1-11	V9699000	FRONT PANEL		TI G	フロントパネル	
* 1-12	V9700100	SUB PANEL L			サブパネル L	04
* 1-13	V9700300	SUB PANEL R		GD	サブパネル R	05
* 1-13	V9700200	SUB PANEL R		BL	サブパネル R	
* 1-13	V9700400	SUB PANEL R		TI	サブパネル R	
* 1-14	V9701700	PLATE SIDE L/R		GD	プレートサイド L/R	03
* 1-14	V9701600	PLATE SIDE L/R		BL	プレートサイド L/R	
* 1-14	V9701800	PLATE SIDE L/R		TI	プレートサイド L/R	
1-15	V5914600	BUTTON/D12		GD	ボタン/D12	02
1-15	V5914500	BUTTON/D12		BL	ボタン/D12	02
* 1-15	V9313600	BUTTON/D12		TI	ボタン/D12	
* 1-16	V9701200	ESCUTCHEON/PLAY		GD	エスカッション/PLAY	02
* 1-16	V9701100	ESCUTCHEON/PLAY		BL	エスカッション/PLAY	
* 1-16	V9701300	ESCUTCHEON/PLAY		TI	エスカッション/PLAY	
* 1-17	V6094900	ESCUTCHEON/PW		GD	エスカッション/PW	01
* 1-17	V6094800	ESCUTCHEON/PW		BL	エスカッション/PW	
* 1-17	V9339500	ESCUTCHEON/PW		TI	エスカッション/PW	
1-19	V6004900	EMBLEM		GD	エンブレム	03
1-19	V6004800	EMBLEM		BL, TI	エンブレム	03
* 1-20	V9701400	WINDOW			JU ウィンドウ	05
* 1-20	V9701500	WINDOW		ABG	ウィンドウ	05
* 1-23	WA527100	SHEET/PW			シート/PW	03
* 1-24	WA602700	SHEET, GND			シート/アース	03
* 1-25	WA864900	FERRITE CORE	FSRC170120RT000T		フェライトコア	
* 1-26	EP630220	BIND HEAD P-TITE SCREW	3x8 MFZN2BL		バインドPタイトネジ	01
* 5	WA147400	P.C.B. ASS'Y	MAIN	J	PCB集成 MAIN	
* 5	WA147500	P.C.B. ASS'Y	MAIN	U	PCB集成 MAIN	
* 5	WA147600	P.C.B. ASS'Y	MAIN	A	PCB集成 MAIN	
* 5	WA147700	P.C.B. ASS'Y	MAIN	B	PCB集成 MAIN	
* 5	WA266800	P.C.B. ASS'Y	MAIN	G	PCB集成 MAIN	
5-L700	Vi491100	FERRITE CORE	BP53RB19012080M		フェライトコア	02
* 6	WA148100	P.C.B. ASS'Y	AUDIO		PCB AUDIO	
* 6-11	MFA35080	FLEXIBLE FLAT CABLE	35P 80mm P=1.0		カード電線	02
* 7	WA148200	P.C.B. ASS'Y	SACD	J	PCB SACD	
* 7	WA148300	P.C.B. ASS'Y	SACD	U	PCB SACD	
* 7	WA148400	P.C.B. ASS'Y	SACD	A	PCB SACD	
* 7	WA148500	P.C.B. ASS'Y	SACD	BG	PCB SACD	
* Δ 12	X3716A00	POWER TRANSFORMER		J	電源トランス	07
* Δ 12	X3717A00	POWER TRANSFORMER		U	電源トランス	
* Δ 12	X3718A00	POWER TRANSFORMER		A	電源トランス	
* Δ 12	X3719A00	POWER TRANSFORMER		BG	電源トランス	07
* Δ 13	X3712A00	POWER TRANSFORMER		J	電源トランス	07
* Δ 13	X3713A00	POWER TRANSFORMER		U	電源トランス	
* Δ 13	X3714A00	POWER TRANSFORMER		A	電源トランス	
* Δ 13	X3715A00	POWER TRANSFORMER		BG	電源トランス	07
* 15	V7903500	P.C.B. ASS'Y	DVD MODULE	J	PCB DVDモジュール	54
* 15	V7903400	P.C.B. ASS'Y	DVD MODULE	U	PCB DVDモジュール	

* New Parts * 新規部品 (マーク#の部品は、基板に含まれません)

Note) Those parts marked with "#" are not included in the P.C.B. ass'y.

Schm Ref.	PART NO.	Description	Remarks	Markets	部 品 名	Rank		
*	15	V7903600	P.C.B. ASS'Y	DVD MODULE	RD-DDK017-YH	A	P C B D V Dモジュール	
	15	V7903700	P.C.B. ASS'Y	DVD MODULE	RD-DDK016-YH	BG	P C B D V Dモジュール	42
*	20	MFA15100	FLEXIBLE FLAT CABLE	15P 100mm P=1.0			カード電線	01
*	21	WA293600	FLEXIBLE FLAT CABLE	35P 90mm P=1.0			カード電線 C & C	02
*	22	WA293800	SUMI CARD	38P 120mm P=1.0			スミカード	02
*	23	WA293700	SUMI CARD	38P 70mm P=1.0			スミカード	03
	28	V8539600	DVD TRAVERSE MECH	RD-DDL026-YH	RD-DDL026-YH		D V D ローディングメカ	32
	29	CB069250	BINDING TIE	BK-1			束線止め	01
	30	CB836200	BINDING TIE	S-70B			束線止め	02
*	32	V9699900	REAR PANEL			J	リヤパネル	04
*	32	V9699600	REAR PANEL			U	リヤパネル	
*	32	V9699700	REAR PANEL			A	リヤパネル	
*	32	WA266700	REAR PANEL			B	リヤパネル	
*	32	V9699800	REAR PANEL			G	リヤパネル	04
*	33	V9699200	TOP COVER		GD		トップカバー	10
*	33	V9699100	TOP COVER		BL		トップカバー	
*	33	V9699300	TOP COVER		TI		トップカバー	
	34	VQ775900	EARTH PLATE				アースプレート	01
	35	V0049900	LEG	D60xH16	GD		レッグ	03
	35	VQ780300	LEG	D60xH16	BL, TI		レッグ	01
*	36	V9699500	BOTTOM COVER				ボトムカバー	08
	38	VR264400	SPACER	H8			スペーサー	01
	39	V5575000	SUPPORT, P.C.B.	Y 2V70 WD-50			P C サポート	01
	40	VU981200	SUPPORT, P.C.B.	No.3596			P C サポート	01
*	54	WA468200	LID		GD		リッド	09
*	54	WA468100	LID		BL		リッド	
*	54	WA468300	LID		TI		リッド	
*	55	V9920700	LID SUB ASS'Y				リッドサブASSY	04
	56	V2879500	SPACER PCB-M				スペーサ P C B-M	01
*	57	WA127200	SPACER TRANS				スペーサ トランス	02
	61	VD069600	PW HEAD S-TITE SCREW	4x8-10 MFN133	GD		P WヘッドSタイトネジ	01
	61	21991500	PW HEAD S-TITE SCREW	4x8-10 MFC2BL	BL		P WヘッドSタイトネジ	01
	61	VH313200	BW HEAD S-TITE SCREW	4x8-10 MFN13BL	TI		B WヘッドSタイトネジ	01
	62	VN413300	BIND HEAD BONDING B-T. SCREW	3x8 MFZN2BL			ボンディングBタイトネジ	01
	63	V8542400	PAN HEAD P-TITE SCREW	4x8 MFZN2BL			ナベPタイト	01
	64	EP600250	BIND HEAD B-TITE SCREW	3x8 MFZN2Y			バインドBタイトネジ	01
	65	V2728500	BIND HEAD S-TITE SCREW	4x7 MFZN2BL			バインドSタイトネジ	01
	66	EP600130	BIND HEAD B-TITE SCREW	3x6 MFZN2Y			バインドBタイトネジ	01
	68	VT669400	PW HEAD B-TITE SCREW	3x15-8 MFC2			P WヘッドBタイトネジ	01
*	69	WB085800	PW HEAD B-TITE SCREW	3x10-8 MFZN2Y			P WヘッドBタイトネジ	01
	70	VH365800	PW HEAD B-TITE SCREW	3x6-8 MFC2			P WヘッドBタイトネジ	01
	72	EP630640	BIND HEAD P-TITE SCREW	3x20 MFC2BL			バインドPタイトネジ	01
	73	EP630220	BIND HEAD P-TITE SCREW	3x8 MFZN2BL			バインドPタイトネジ	01
	80	V6101200	KNOB HP		GD		ノブ H P	02
*	80	V6101000	KNOB HP		BL		ノブ H P	
*	80	V9865600	KNOB HP		TI		ノブ H P	
*	81	WA602900	SPACER	10x10xH12		BG	スペーサ	02
*	82	WA864800	FERRITE CORE	FSRC250120RT000T		Ux2, ABGx1	フェライトコア	
*	88	Vi491100	FERRITE CORE	BP53RB190120080M		Ux2	フェライトコア	

* New Parts * 新規部品(マーク#の部品は、基板に含まれません)

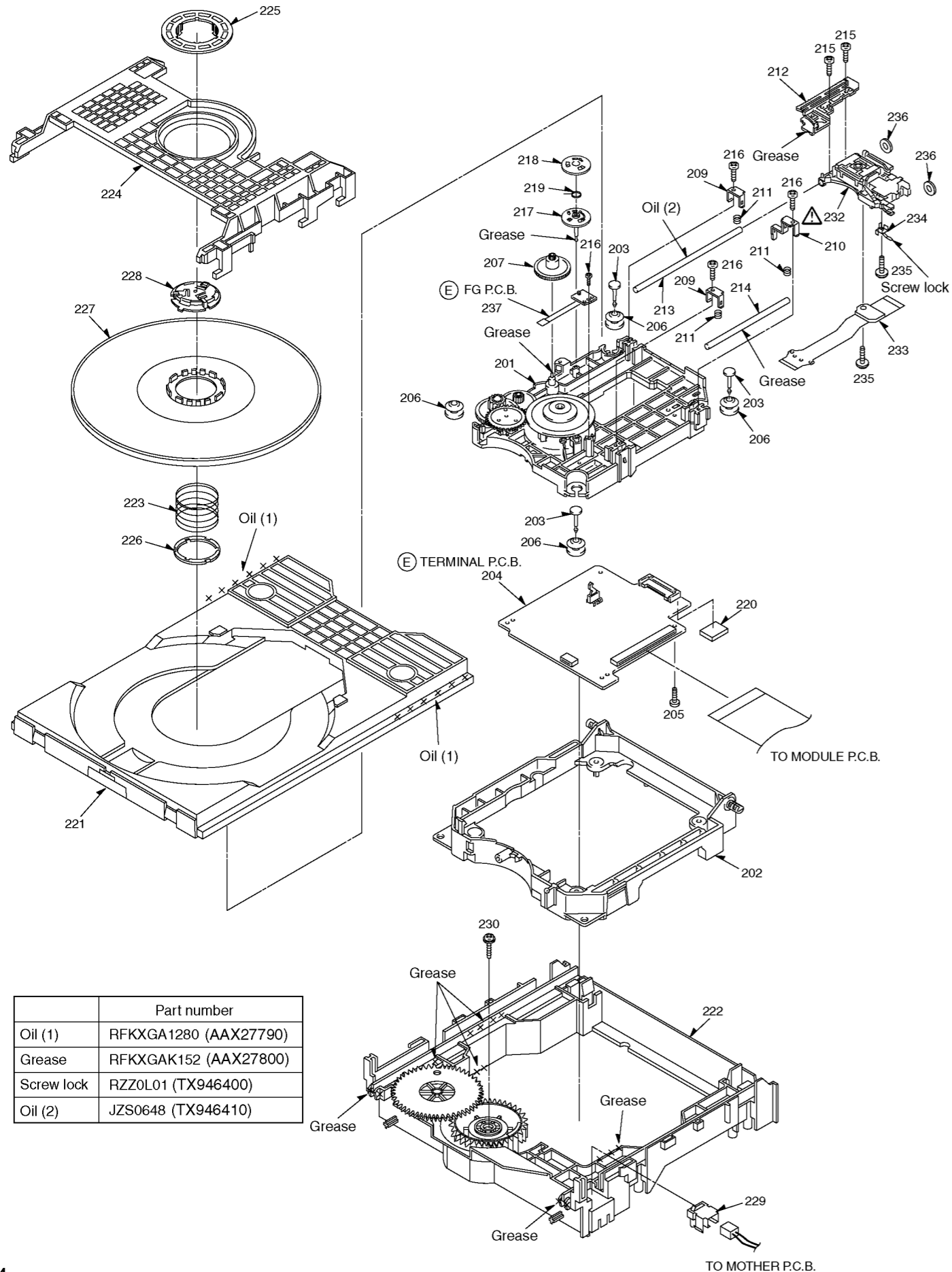
* Note) Those parts marked with "#" are not included in the P.C.B. ass'y.

Schm Ref.	PART NO.	Description	Remarks	Markets	部 品 名	Rank		
		ACCESSORIES				付属品		
*	200	V9813400	REMOTE CONTROL	DVD8	SBBD00073A	JU	リモコン	09
*	200	V9813500	REMOTE CONTROL	DVD9	SBBD00074A	ABG	リモコン	09
*	200-1	AAX34250	BATTERY COVER		BAW11C204A		電池蓋	
⚠	202	V6545700	POWER CABLE	2m		J	電源コード	06
⚠	202	V6545800	POWER CABLE	2m		U	電源コード	
⚠	202	V8160900	POWER CABLE	2m		A	電源コード	
*	202	VT016000	POWER CABLE	2.5m		B	電源コード	08
⚠	202	V6545900	POWER CABLE	2m		G	電源コード	07
*	203	V8966300	AUDIO/VIDEO CABLE	3P 1.5m RE/WH/YE			音声/映像ピンケーブル	
		BATTERY		SUM-3N			乾電池	

* New Parts * 新規部品(マーク#の部品は、基板に含まれません)

* Note) Those parts marked with "#" are not included in the P.C.B. ass'y.

■ DVD-MECHANISM EXPLODED VIEW



	Part number
Oil (1)	RFKXGA1280 (AAX27790)
Grease	RFKXGAK152 (AAX27800)
Screw lock	RZZ0L01 (TX946400)
Oil (2)	JZS0648 (TX946410)

■ DVD-MECHANISM PARTS

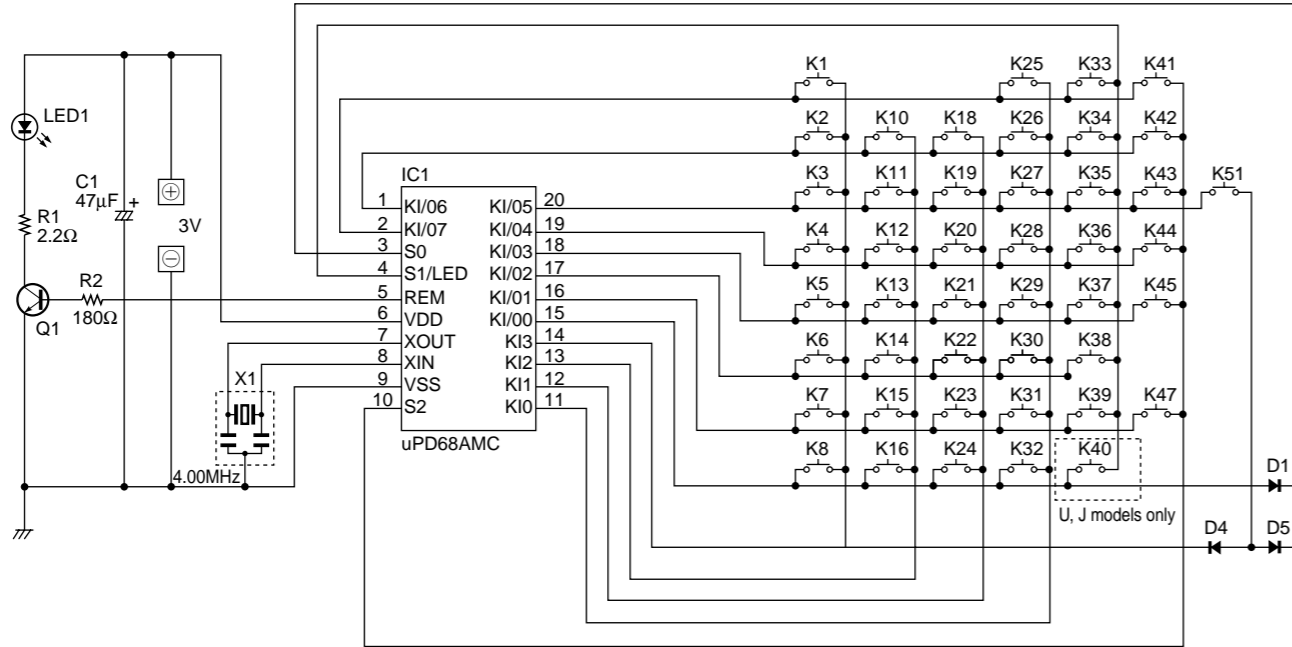
Schm Ref.	PART NO.	Description	Remarks	Markets	部品名	Rank
	V8539600	DVD MECHANISM			DVDメカニズム	32
201	AAAX26270	SPINDLE MOTOR ASS'Y	RXQ0742		SモーターASSY	20
202	AAAX27650	MIDDLE CHASSIS	RMR1323K2		中間シャーシ	07
203	AAAX27590	FIXED PIN	RMS0712		固定ピン	05
204	AAAX27670	P.C.B. ASS'Y	REP3082AN	TERMINAL	中継基板	09
205	AAAX27240	SCREW	XTW2+8P		ネジ	01
206	AAAX27340	RUBBER ISOLATOR	RMG0545A		フローティングゴム	05
207	AAAX26280	TRAVERSE GEAR(A)	RDG0499		TRVギアA	05
209	AAAX27270	ADJUST SPRING HOLDER1	RMC0415		バネ押え1	05
210	AAAX27280	ADJUST SPRING HOLDER2	RMC0416		バネ押え2	05
211	AAAX27680	ADJUST SPRING	RME0320		調整バネ	05
212	AAAX26320	TRAVERSE DRIVE RACK	RMM02341		TRV送りラック	05
213	AAAX27170	DRIVE SHAFT	RMS0710		ドライブシャフト	05
214	AAAX26360	GUIDE SHAFT	RMS0711		ガイドシャフト	05
215	AAAX27180	SCREW	RHD17028		ネジ	05
216	AAAX04350	SCREW	VHD1224		ネジ	03
217	AAAX26290	TRAVERSE GEAR(B)	RDG0500		TRVギアB	05
218	AAAX26300	TRAVERSE GEAR(C)	RDG0501		TRVギアC	05
219	AAAX26310	TRAVERSE GEAR SPRING	RME0319		TRVギアバネ	05
220	AAAX26260	PCB RUBBER	RMG0558K		PCBラバー	05
221	AAAX27140	TRAY	RG00280K3		トレイ	07
222	AAAX27440	MECHA CHASSIS ASS'Y	RXQ07271		メカシャーシユニット	13
223	AAAX26390	CLAMPER SPRING	RME03181		クランプバネ	05
224	AAAX26400	CLAMP PLATE	RMR1317K		クランププレート	05
225	AAAX26410	FIXTURE	RMR1318X		クランプホルダー	05
226	AAAX26850	SPRING HOLDER	RMR1321X		スプリングホルダ	05
227	AAAX26380	CLAMPER ASS'Y	RXQ07241		クランプユニット	11
228	AAAX26250	MAGNET HOLDER ASS'Y	RXQ07291		Mホルダーユニット	08
229	AAAX26350	OPEN SWITCH	RSH1A049U		オープンスイッチ	05
230	AAAX27250	SCREW	XTW3+12S		ネジ	05
232	AAAX27600	OPTICAL PICK-UP	RAF3020A1		光ピックアップ	25
233	AAAX27660	INTERFACE FPC	RJB2308A1	FP5001-OPU	中継FPC	07
234	AAAX26820	SHAFT SPRING	RMC0418		シャフトバネ	05
235	EX603950	SCREW	VHD1057		ネジ	02
236	AAAX26370	CUSHION RUBBER	RMG0561T		クッションゴム	05
237	AAAX25940	FG P.C.B.	REP3081A		FG基板	05

* New Parts * 新規部品(マーク#の部品は、基板に含まれません)

Note) Those parts marked with "#" are not included in the P.C.B. ass'y.

REMOTE CONTROL

• Schematic Diagram

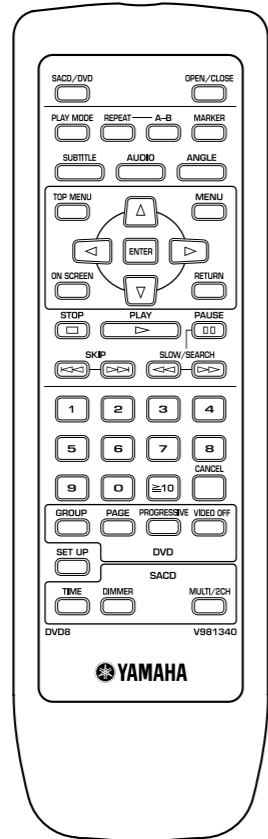


• Custom Code (HEX): 7C

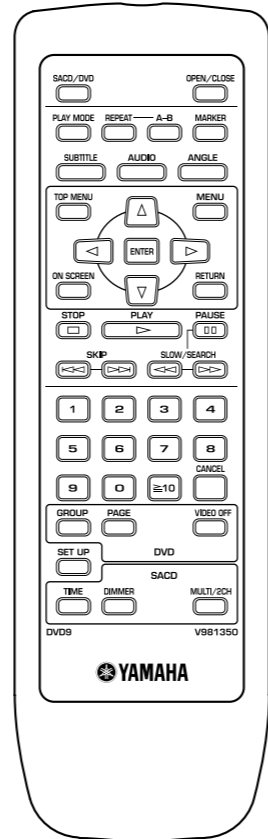
• Data Code

Key No.	Function	Data Code (HEX)
1	SACD/DVD	E0
2	PLAY MODE	BD
3	SUBTITLE	AA
4	TOP MENU	B1
5	◀	B5
6	ON SCREEN	A6
7	STOP □	85
8	◀◀ SKIP	B9
10	REPEAT	A3
11	AUDIO	AD
12	△	B4
13	ENTER	B8
14	▽	B3
15	PLAY ▷	82
16	▷▷ SKIP	BA
18	A-B	A4
19	OPEN/CLOSE	81
20	MARKER	D8
21	ANGLE	AE
22	MENU	B2
23	▷	B6
24	RETURN	B7
25	PAUSE □□	83
26	◀◀ SLOW/SEARCH	86
27	▷▷ SLOW/SEARCH	87
28	1	94
29	5	98
30	9	9C
31	GROUP	DD
32	SETUP	AC
33	2	95
34	6	99
35	0	93
36	PAGE	DF
37	3	96
38	7	9A
39	≥ 10	9D
40	PROGRESSIVE	DA
41	4	97
42	8	9B
43	CANCEL	9F
44	VIDEO OFF	D9
45	TIME	A8
47	DIMMER	A9
51	MULTI/2CH	E1

U, J models



A, B, G models



(U, J models only)

DVD-S2300

